



OMT4-IE1 71M2-4 0,37kW 230/400V 50Hz

**DATASHEET**

50Hz |

Frame type:	aluminium	Connection:	Δ/Y
Model:	OMT4-IE1	Run Capacitor:	
Output:	0,37 kW	Start Capacitor:	
Rated voltage:	230/400V	Rotor voltage:	
Frame:	71 mm	Rotor connection:	
Poles:	4	Rotor current:	
Frequency:	50 Hz	No load current:	
Rated speed:	1340 RPM	Insulation class:	F
Rated current:	1,91/1,1 A	Temp. rise:	80 K
Locked rotor current(Ia/In):	520%	Service factor:	1
Locked rotor torque(Ma/Mn):	220%	Duty:	S8
Breakdown torque(Ma/Mn):	210%	Amb. temp.:	-20~40 °C
Mounting:	B3	Altitude:	1000 m
Noise level:	55 dB	Protection:	IP55
Approx. weight:	6,3 kg	Cooling:	IC411
Mom. of inertia:	0,0013 kg/m <sup>2</sup>	Vibration:	1,6 mm/s
Slip:	10,7%	Dir. rotation:	BOTH
Rated torque:	2,64 Nm	Starting method:	DIRECT ON LINE
		Coupling:	DIRECT
		Load type:	PARABOLIC CURVE

**PERFORMANCE**

<b>Output</b>	<b>50%</b>	<b>75%</b>	<b>100%</b>
Efficiency(%):	68,4	71	69,3
Power factor:			0,75

**BEARING**

<b>Bearing</b>	<b>NDE</b>	<b>DE</b>
	6202 2RZ	6202 2RZ
	C3	C3

Regreasing int(h):

Grease  
amount(g):  
Grease  
polyrexEM:

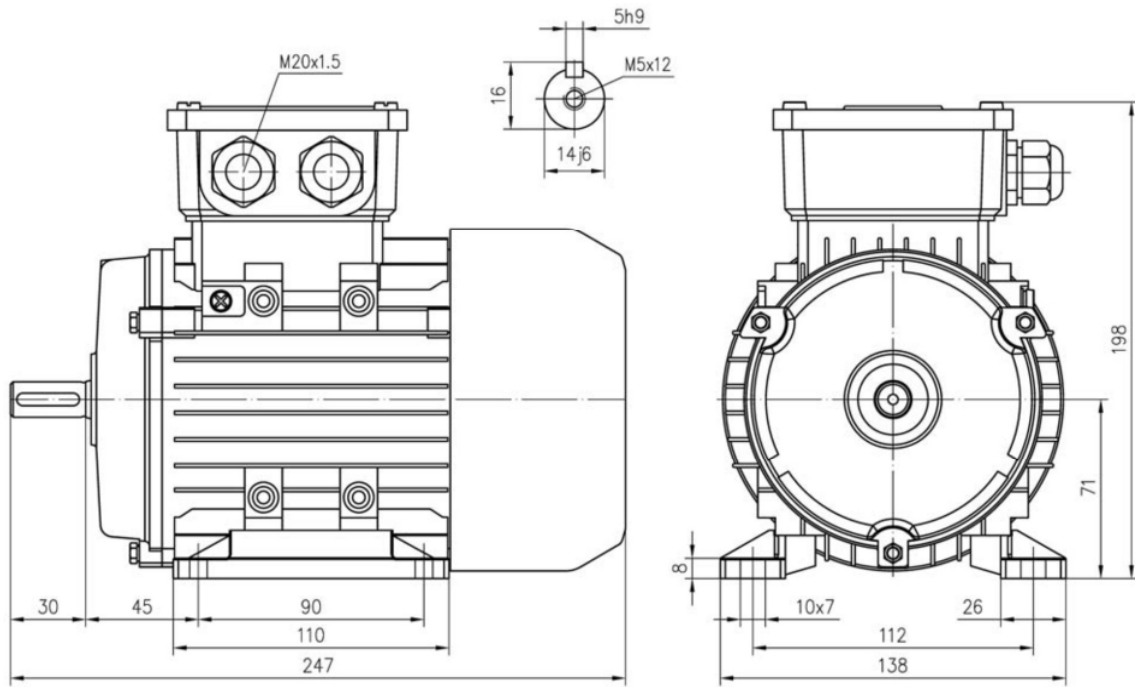
**STANDARDS**

Specification:	IEC60034-1/GB755
Test:	IEC60034-2/GB/T1032
Noise	IEC60034-9/GB10069.3
Vibration:	IEC60034-14/GB10068

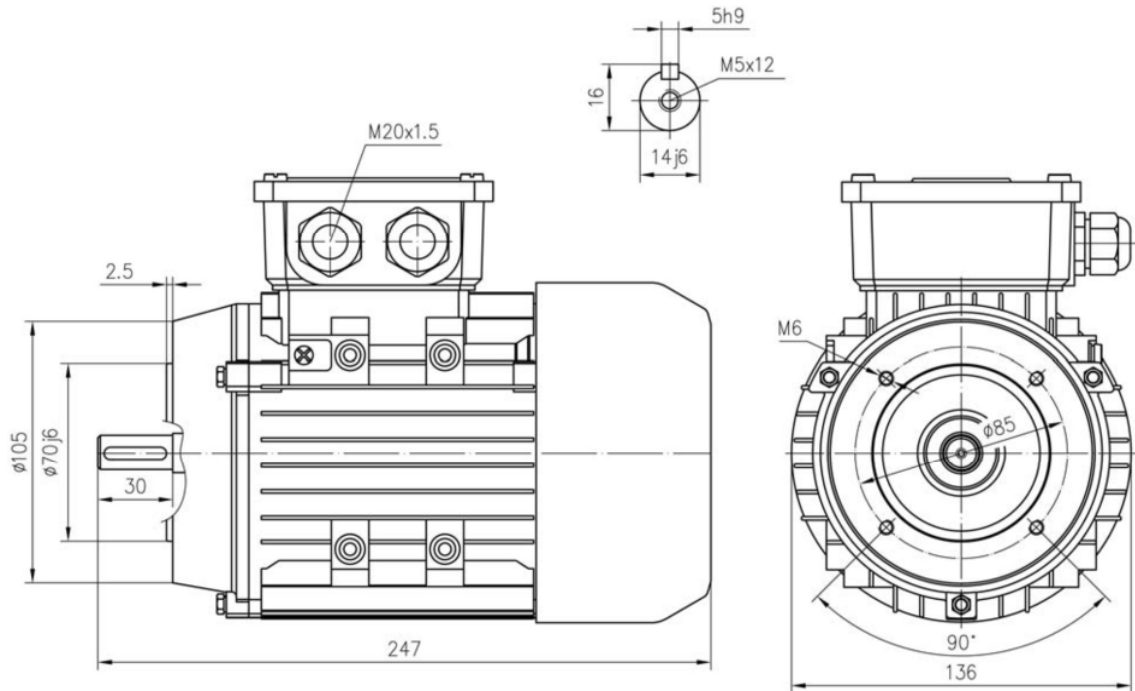
**ACCESSORIES**

PTC 150°C

# DRAWING B3



# DRAWING – B14S



# B5

