



OMT4-IE1 71M2-2 0,55kW 230/400V 50Hz

DATASHEET

50Hz |

Frame type:	aluminium	Connection:	Δ/Y
Model:	OMT4-IE1	Run Capacitor:	
Output:	0,55 kW	Start Capacitor:	
Rated voltage:	230/400V	Rotor voltage:	
Frame:	71 mm	Rotor connection:	
Poles:	2	Rotor current:	
Frequency:	50 Hz	No load current:	
Rated speed:	2790 RPM	Insulation class:	F
Rated current:	2,26/1,3 A	Temp. rise:	80 K
Locked rotor current(Ia/In):	610%	Service factor:	1
Locked rotor torque(Ma/Mn):	230%	Duty:	S8
Breakdown torque(Ma/Mn):	230%	Amb. temp.:	-20~40 °C
Mounting:	B3	Altitude:	1000 m
Noise level:	64 dB	Protection:	IP55
Approx. weight:	6,3 kg	Cooling:	IC411
Mom. of inertia:	0,0006 kg/m2	Vibration:	1,6 mm/s
Slip:	7%	Dir. rotation:	BOTH
Rated torque:	1,88 Nm	Starting method:	DIRECT ON LINE
		Coupling:	DIRECT
		Load type:	PARABOLIC CURVE

PERFORMANCE

Output	50%	75%	100%
Efficiency(%):	69,5	73	74
Power factor:			0,82

BEARING

Bearing	NDE	DE
	6202 2RZ	6202 2RZ
	C3	C3

Regreasing int(h):

Grease amount(g):
Grease polyrexEM:

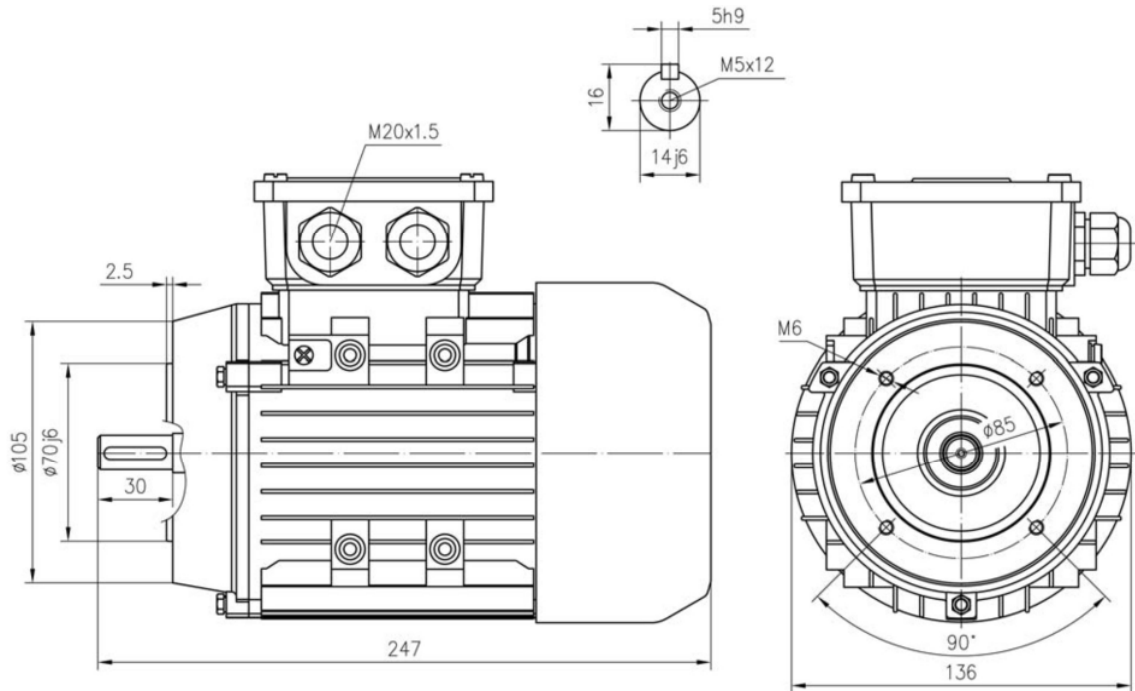
STANDARDS

Specification:	IEC60034-1/GB755
Test:	IEC60034-2/GB/T1032
Noise	IEC60034-9/GB10069.3
Vibration:	IEC60034-14/GB10068

ACCESSORIES

PTC 150°C

DRAWING – B14S



B5

