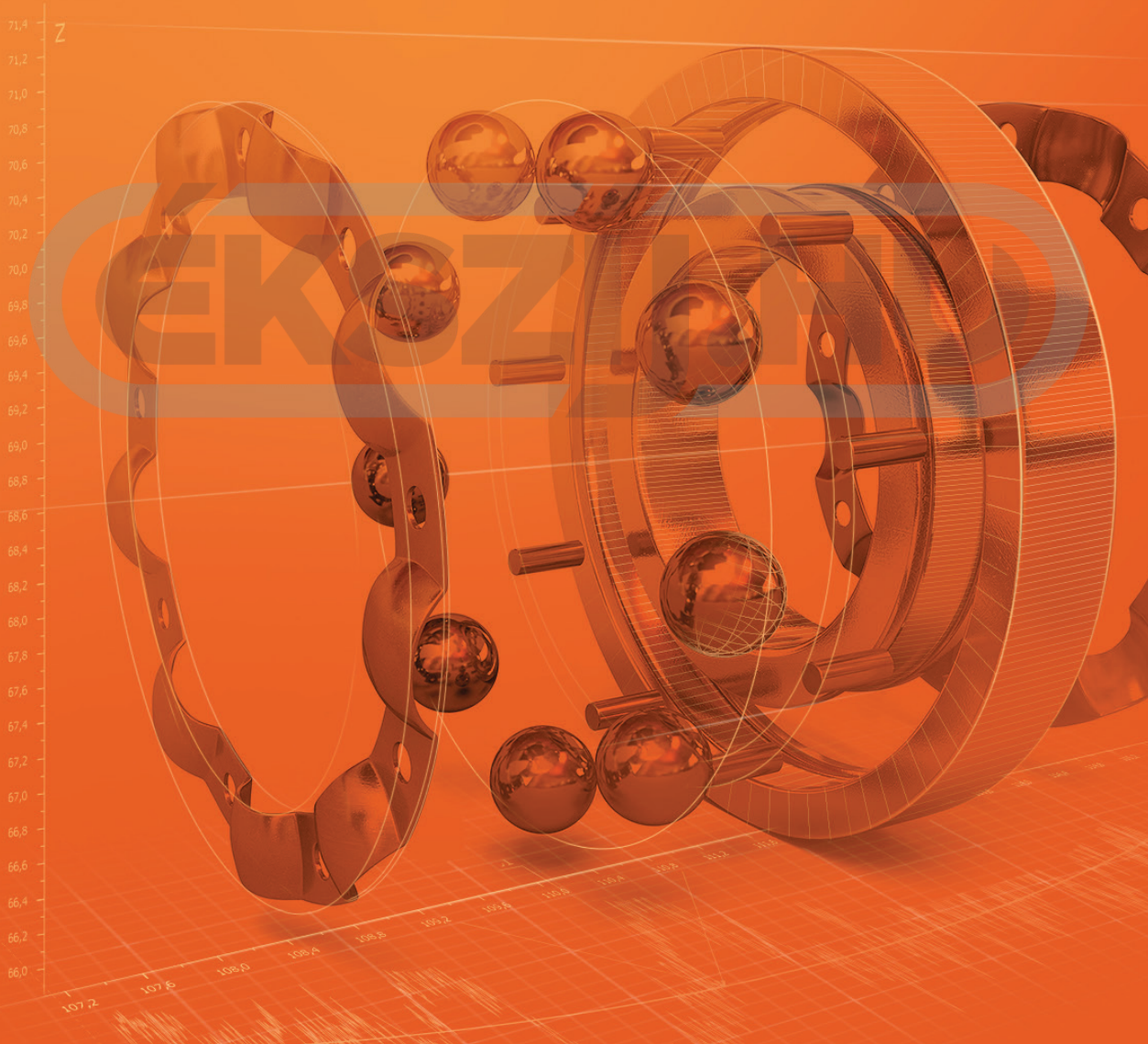




**CRAFT
BEARINGS**

Quality Minded

CATALOG



ADAPTER SLEEVES

Series: H2.. H3.. H23.. H30.. H31..



Subject	Symbol	Description
Type	H	Adapter sleeve dimensions in accordance with ISO standard, basic design.
	HE	Adapter sleeve dimensions in accordance with ISO standard, except the bore, in 1/4 in.
	AH	Withdrawal sleeve dimensions in accordance with ISO standard, basic design.
	AOH	Withdrawal sleeve dimensions in accordance with ISO standard, prepared for oil injection.

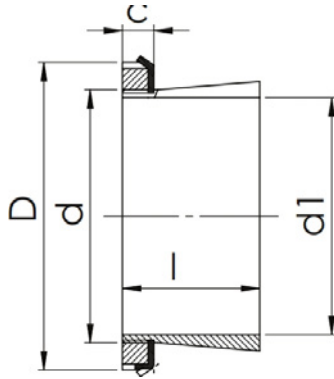
Features

Adapter sleeves are the most commonly used components for locating bearings with a tapered bore into a cylindrical shaft seating. They are easily to mount, and require no additional location on the shafts. CRAFT adapter sleeves are produced from high-quality steel, have a very precise form, and an excellent price/performance factors ratio. CRAFT adapter sleeves are made as complete product, with lock nut and locking washer.

CRAFT supplies metric adapter sleeves, series designations H. The dimensions are in accordance with ISO 2982-1:1995.

Adapter sleeves consist of three elements: the actual sleeve, toothed washer MB. (for large sleeves lock washer of MS-type) and lock nut of KM or HM-type. The adapter number denotes the complete assembly of adapter sleeve, locknut and lockwasher.

As the name implies, adapter sleeves adapt themselves to the shaft diameter, so that wider diameter tolerances can be permitted than for the seat of a bearing with a cylindrical bore. However, the form tolerances must be kept within narrow limits as the accuracy of form directly affects the running accuracy of the bearing.



Adapter Sleeve	Shaft d1			Dimensions (mm)					Composition				Weight (kg)
	HS in	HA in	HE in	d	d2	B1	B2	G	Sleeve	Locknut	Lockwasher	Lockcard	
H204	-	-	-	20	32	24	7	M20x1	A204	KM4	MB04	-	0.040
H205	7/8	13/16	3/4	25	38	26	8	M25x1,5	A205	KM5	MB05	-	0.070
H206	7/8	15/16	1	30	45	27	8	M30x1,5	A206	KM6	MB06	-	0.100
H207	1-1/8	1-3/16	1-1/4	35	52	29	9	M35x1,5	A207	KM7	MB07	-	0.130
H208	1-3/8	1-5/16	1-1/4	40	58	31	10	M40x1,5	A208	KM8	MB08	-	0.170
H209	1-5/8	1-7/16	1-1/2	45	65	33	11	M45x1,5	A209	KM9	MB09	-	0.230
H210	1-5/8	1-11/16	1-3/4	50	70	35	12	M50x1,5	A210	KM10	MB10	-	0.270
H211	1-7/8	1-15/16	2	55	75	37	12	M55x2	A211	KM11	MB11	-	0.310
H212	2-1/8	2-1/16	2-1/4	60	80	38	13	M60x2	A212	KM12	MB12	-	0.350
H213	2-3/8	2-3/16	2-1/4	65	85	40	14	M65x2	A213	KM13	MB13	-	0.400
H214	-	-	-	70	92	41	14	M70x2	A214	KM14	MB14	-	0.600
H215	2-5/8	2-7/16	2-1/2	75	98	43	15	M75x2	A215	KM15	MB15	-	0.710
H216	2-7/8	2-11/16	2-3/4	80	105	46	17	M80x2	A216	KM16	MB16	-	0.880
H217	-	2-15/16	3	85	110	50	18	M85x2	A217	KM17	MB17	-	1.020
H218	3-1/8	3-3/16	3-1/4	90	120	52	18	M90x2	A218	KM18	MB18	-	1.200
H219	-	3-5/16	3-1/4	95	125	55	19	M95x2	A219	KM19	MB19	-	1.350
H220	-	3-7/16	3-1/2	100	130	58	20	M100x2	A220	KM20	MB20	-	1.500
H221	-	-	-	105	140	60	20	M105x2	A221	KM21	MB21	-	1.700
H222	-	3-15/16	4	110	145	63	21	M110x2	A222	KM22	MB22	-	1.900
H304	-	-	-	20	32	28	7	M20x1	A304	KM4	MB04	-	0.045
H305	7/8	13/16	3/4	25	38	29	8	M25x1,5	A305	KM5	MB05	-	0.075
H306	7/8	15/16	1	30	45	31	8	M30x1,5	A306	KM6	MB06	-	0.110
H307	1-1/8	1-3/16	1-1/4	35	52	35	9	M35x1,5	A307	KM7	MB07	-	0.140
H308	1-3/8	1-5/16	1-1/4	40	58	36	10	M40x1,5	A308	KM8	MB08	-	0.190
H309	1-5/8	1-7/16	1-1/2	45	65	39	11	M45x1,5	A309	KM9	MB09	-	0.250
H310	1-5/8	1-11/16	1-3/4	50	70	42	12	M50x1,5	A310	KM10	MB10	-	0.300
H311	1-7/8	1-15/16	2	55	75	45	12	M55x2	A311	KM11	MB11	-	0.350
H312	2-1/8	2-1/16	2-1/4	60	80	47	13	M60x2	A312	KM12	MB12	-	0.390
H313	2-3/8	2-3/16	2-1/4	65	85	50	14	M65x2	A313	KM13	MB13	-	0.460
H314	-	-	-	70	92	52	14	M70x2	A314	KM14	MB14	-	0.720
H315	2-5/8	2-7/16	2-1/2	75	98	55	15	M75x2	A315	KM15	MB15	-	0.830
H316	2-7/8	2-11/16	2-3/4	80	105	59	17	M80x2	A316	KM16	MB16	-	1.000
H317	-	2-15/16	3	85	110	63	18	M85x2	A317	KM17	MB17	-	1.200
H318	3-1/8	3-3/16	3-1/4	90	120	65	18	M90x2	A318	KM18	MB18	-	1.350
H319	-	3-5/16	3-1/4	95	125	68	19	M95x2	A319	KM19	MB19	-	1.550
H320	-	3-7/16	3-1/2	100	130	71	20	M100x2	A320	KM20	MB20	-	1.700
H321	-	-	-	105	140	74	20	M105x2	A321	KM21	MB21	-	1.950
H322	-	3-15/16	4	110	145	77	21	M110x2	A322	KM22	MB22	-	2.200
H2304	17	-	-	20	32	31	7	M20x1	A2304	KM04	MB04	-	0.049
H2305	20	3/4	7/8	25	38	35	8	M25x1,5	A2305	KM05	MB05	-	0.087
H2306	25	1	7/8	30	45	38	8	M30x1,5	A2306	KM06	MB06	-	0.126
H2307	30	1-1/4	1-1/8	35	52	43	9	M35x1,5	A2307	KM07	MB07	-	0.170
H2308	35	1-1/4	1-3/8	40	58	46	10	M40x1,5	A2308	KM08	MB08	-	0.224

Adapter Sleeve	Shaft d1			Dimensions (mm)					Composition				Weight (kg)
	HS in	HA in	HE in	d	d2	B1	B2	G	Sleeve	Locknut	Lockwasher	Lockcard	
H2309	40	1-1/2	1-5/8	45	65	50	11	M45x1,5	A2309	KM09	MB09	-	0.280
H2310	45	1-3/4	1-5/8	50	70	55	12	M50x1,5	A2310	KM10	MB10	-	0.362
H2311	50	2	1-7/8	55	75	59	12	M55x2	A2311	KM11	MB11	-	0.420
H2312	55	2-1/4	2-1/8	60	80	62	13	M60x2	A2312	KM12	MB12	-	0.481
H2313	60	2-1/4	2-3/8	65	85	65	14	M65x2	A2313	KM13	MB13	-	0.557
H2314	60	-	-	70	92	68	14	M70x2	A2314	KM14	MB14	-	0.900
H2315	65	2-1/2	2-5/8	75	98	73	15	M75x2	A2315	KM15	MB15	-	1.050
H2316	70	2-3/4	2-7/8	80	105	78	17	M80x2	A2316	KM16	MB16	-	1.280
H2317	75	3	-	85	110	82	18	M85x2	A2317	KM17	MB17	-	1.450
H2318	80	3-1/4	3-1/8	90	120	86	18	M90x2	A2318	KM18	MB18	-	1.690
H2319	85	3-1/4	-	95	125	90	19	M95x2	A2319	KM19	MB19	-	1.920
H2320	90	3-1/2	-	100	130	97	20	M100x2	A2320	KM20	MB20	-	2.150
H2321	95	-	-	105	140	101	20	M105x2	A2321	KM21	MB21	-	2.460
H2322	100	4	-	110	145	105	21	M110x2	A2322	KM22	MB22	-	2.750
H2324	110	4-1/4	-	120	155	112	22	M120x2	A2324	KM24	MB24	-	3.200
H2326	115	4-1/2	-	130	165	121	23	M130x2	A2326	KM26	MB26	-	4.600
H2328	125	5	4-13/16	140	180	131	24	M140x2	A2328	KM28	MB28	-	5.550
H2330	135	5-1/4	-	150	195	139	26	M150x2	A2330	KM30	MB30	-	6.630
H2332	140	5-1/2	-	160	210	147	28	M160x2	A2332	KM32	MB32	-	9.150
H2334	150	6	-	170	220	154	29	M170x2	A2334	KM34	MB34	-	10.20
H2336	160	6-1/2	-	180	230	161	30	M180x2	A2336	KM36	MB36	-	11.30
H2338	170	6-3/4	-	190	240	169	31	M190x2	A2338	KM38	MB38	-	12.60
H2340	180	7	-	200	250	176	32	M200x2	A2340	KM40	MB40	-	14.00
H2344	200	-	-	220	280	186	44	T220x4	A2344	HM44	-	MS44	16.70
H2348	220	-	-	240	300	199	46	T240x4	A2348	HM48	-	MS48	29.70
H2352	240	-	-	260	330	211	49	T260x4	A2352	HM52	-	MS52	24.20
H2356	260	-	-	280	350	224	51	T280x4	A2356	HM56	-	MS56	27.80
H3024	110	4-1/4	4-3/16	120	145	72	22	M120x2	A3024	KML24	MBL24	-	1.950
H3026	115	4-1/2	4-7/16	130	155	80	23	M130x2	A3026	KML26	MBL26	-	2.850
H3028	125	5	4-15/16	140	165	82	24	M140x2	A3028	KML28	MBL28	-	3.150
H3030	135	5-1/4	5-3/16	150	180	87	26	M150x2	A3030	KML30	MBL30	-	3.900
H3032	140	5-1/2	5-7/16	160	190	93	28	M160x3	A3032	KML32	MBL32	-	5.200
H3034	150	6	5-15/16	170	200	101	29	M170x3	A3034	KML34	MBL34	-	6.000
H3036	160	6-1/2	6-7/16	180	210	109	30	M180x3	A3036	KML36	MBL36	-	6.850
H3038	170	6-3/4	6-15/16	190	220	112	31	M190x3	A3038	KML38	MBL38	-	7.450
H3040	180	7	7-3/16	200	240	120	32	M200x3	A3040	KML40	MBL40	-	9.200
H3044	200	-	7-15/16	220	260	126	41	T220x4	A3044	KML44	-	MSL44	10.50
H3048	220	-	8-15/16	240	290	133	46	T240x4	A3048	KML48	-	MSL48	13.00
H3052	240	-	9-7/16	260	310	145	46	T260x4	A3052	KML52	-	MSL52	15.50
H3056	260	-	10-7/16	280	330	152	50	T280x4	A3056	KML56	-	MSL56	17.50
H3060	280	-	10-15/16	300	360	168	54	T300x4	A3060	KML60	-	MSL60	23.00
H3064	300	-	11-15/16	320	380	171	55	T320x5	A3064	KML64	-	MSL64	24.50
H3068	320	-	12-7/16	340	400	187	58	T340x5	A3068	KML68	-	MSL68	28.50
H3072	340	-	13-15/16	360	420	188	58	T360x5	A3072	KML72	-	MSL72	30.50
H3076	360	-	-	380	450	193	62	T380x5	A3076	KML76	-	MSL76	36.00
H3080	380	-	-	400	470	210	66	T400x5	A3080	KML80	-	MSL80	41.50
H3084	400	-	-	420	490	212	66	T420x5	A3084	KML84	-	MSL84	43.50
H3088	410	-	-	440	520	228	77	T440x5	A3088	KML88	-	MSL88	65.20
H3092	430	-	-	460	540	234	77	T460x5	A3092	KML92	-	MSL92	69.50
H3096	450	-	-	480	560	237	77	T480x5	A3096	KML96	-	MSL96	73.50
H3120	90	3-1/2	3-7/16	100	130	76	20	M100x2	A3120	KM20	MB20	-	1.800
H3122	100	4	3-15/16	110	145	81	21	M110x2	A3122	KM22	MB22	-	2.400
H3124	110	4-1/4	4-3/16	120	155	88	22	M120x2	A3124	KM24	MB24	-	2.650
H3126	115	4-1/2	4-7/16	130	165	92	23	M130x2	A3126	KM26	MB26	-	3.650
H3128	125	5	4-15/16	140	180	97	24	M140x2	A3128	KM28	MB28	-	4.350
H3130	135	5-1/4	5-3/16	150	195	111	26	M150x2	A3130	KM30	MB30	-	5.500
H3132	140	5-1/2	5-7/16	160	210	119	28	M160x3	A3132	KM32	MB32	-	7.650
H3134	150	6	5-15/16	170	220	122	29	M170x3	A3134	KM34	MB34	-	8.400
H3136	160	6-1/2	6-7/16	180	230	131	30	M180x3	A3136	KM36	MB36	-	9.500

Adapter Sleeve	Shaft d1			Dimensions (mm)					Composition				Weight (kg)
	HS in	HA in	HE in	d	d2	B1	B2	G	Sleeve	Locknut	Lockwasher	Lockcard	
H3138	170	6-3/4	6-15/16	190	240	141	31	M190x3	A3138	KM38	MB38	-	11.00
H3140	180	7	7-3/16	200	250	150	32	M200x3	A3140	KM40	MB40	-	12.00
H3144	200	-	7-15/16	220	280	161	44	T220x4	A3144	KM44	-	MS44	15.00
H3148	220	-	-	240	300	172	46	T240x4	A3148	KM48	-	MS48	18.00
H3152	240	-	-	260	330	190	49	T260x4	A3152	KM52	-	MS52	22.50
H3156	260	-	-	280	350	195	51	T280x4	A3156	KM56	-	MS56	25.00
H3160	280	-	-	300	380	20	53	T300x4	A3160	KM60	-	MS60	30.00
H3164	300	-	-	320	400	226	56	T320x5	A3164	KM64	-	MS64	35.00

EKSZIJ.HU