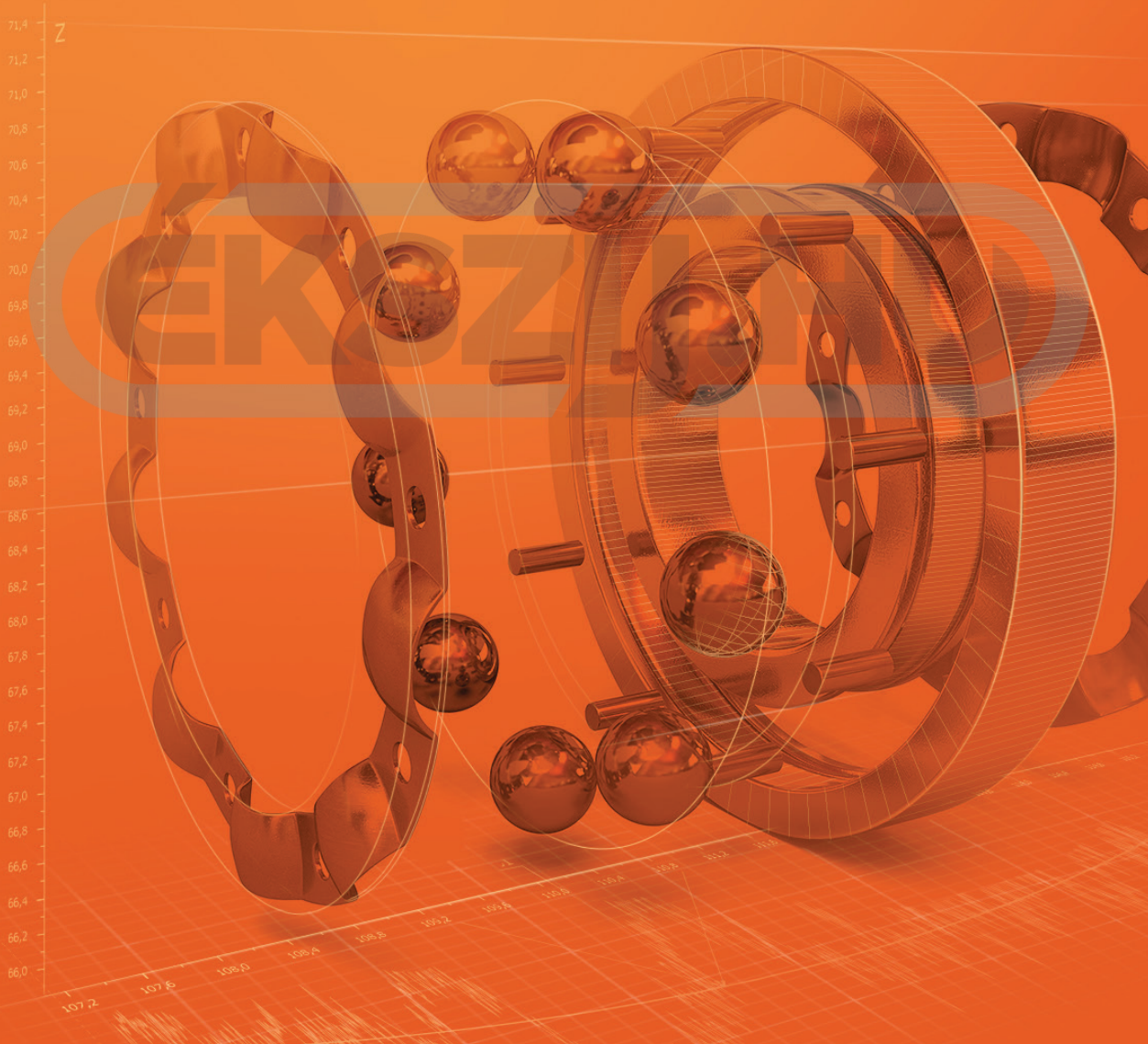




**CRAFT
BEARINGS**

Quality Minded

CATALOG



DEEP GROOVE BALL BEARINGS SINGLE ROW

Series: 60.. 62.. 63.. 64.. 622.. 623.. 160.. 618.. 619..



Subject	Symbol	Description
Seal type	ZZ	Metal shields on both sides.
	2RS	Rubber seals on both sides.
	Z	Metal shield on one side.
	RS	Rubber seal on one side.
Radial internal clearance	C2	Less than normal.
	CN	Normal clearance. Is not indicated as a standard.
	C3	Greater clearance than normal.
	C4	Greater than C3.
	C5	Greater than C4.
Other technical modifications	NR	Groove with inserted snap ring in outer ring.
	N	Snap ring groove in the outer ring.
	SS	Stainless steel.
Cage type	M	Brass cage ball guided.
	MB	Brass cage, inner ring centered.
	MA	Brass cage, outer ring centered.
Speed ratings	V	Normal vibration level. Is not indicated as a standard.
	V2	Lower vibration level than normal.
	V3	Lower vibration level than V2.
	V4	Lower vibration level than V3.
Tolerances	P0	Normal tolerance level. Is not indicated as a standard.
	P6	Greater tolerance level than P0.
	P5	Greater tolerance level than P6.

Features

Single row deep groove ball bearings are most frequently used bearing type. They are versatile, self-retaining bearings with solid outer rings, inner rings and ball and cage assemblies. Due to their low frictional torque, they are suitable for high and even very high speeds and are robust in operation, little maintenance. Due to the raceway geometry and the balls used as rolling elements, deep groove ball bearings can support relatively high radial loads, as well as small axial loads.

Sealing and lubrication

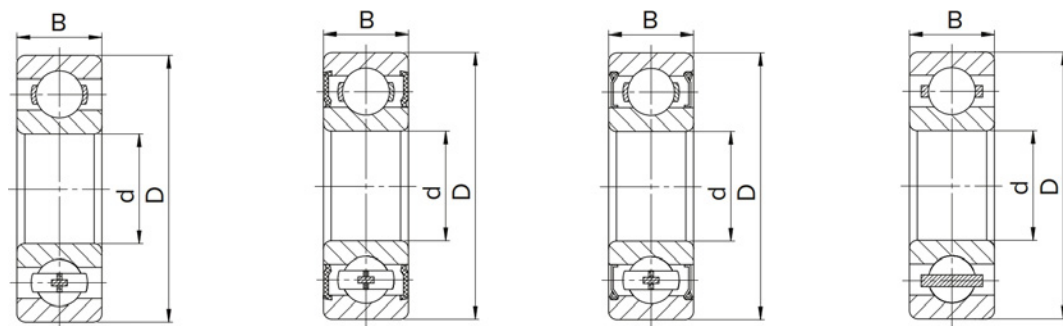
The most popular sizes of deep groove ball bearings are also produced in sealed versions. These bearings with Z and ZZ are greased using a high quality grease, lubricated for life and suitable for high speeds. Bearings with the suffix RS or 2RS have lip seals on one or both sides made from nitrile butadiene rubber. CRAFT bearings grease is a low noise bearing grease which is thickened by lithium 12-hydroxy stearic, it is made from deeply refined mineral oil with rust and oxidation inhibitors through special technical process. Applied temperature range -20 C - +120 C.

Radial internal clearance

Bearing internal clearance is defined as the total distance through which one bearing ring can be moved relative to the other in the radial direction (radial internal clearance). CRAFT bearings single row deep groove ball bearings are manufactured with normal radial internal clearance as standard (CN). Most of the bearings are also available with C3 radial internal clearance. Depending on working conditions you can choose bearing with different internal clearances, the values of radial internal clearance are in accordance to ISO 5753:1 and are valid for unmounted bearings under zero measuring load.

Cages

CRAFT single row deep groove ball bearings are supplied with one of the following cages: steel cage or brass cage. Single row deep groove ball bearings without a cage suffix have a steel cage. Most frequently deep groove ball bearing with ball-guided solid brass cages are indicated by suffix M. These brass cage bearings can also be with inner ring centered (MB), or outer ring centered (MA).



2RS

ZZ

M

ISO	GOST	Dimensions (mm)			Basic Load Rating (N)		Limiting speed (r/min)		Weight (kg)
		d	D	B	Dyn. C	Stat. C ₀	Lubrication		
							Grease	Oil	
6000	100	10	26	8	4620	1960	29000	34000	0.020
6000 ZZ	80100	10	26	8	4620	1960	29000	34000	0.020
6000 2RS	180100	10	26	8	4620	1960	19000	-	0.020
6001	101	12	28	8	5070	2360	26000	30000	0.021
6001 ZZ	80101	12	28	8	5070	2360	26000	30000	0.021
6001 2RS	180101	12	28	8	5070	2360	17000	-	0.021
6002	102	15	32	9	5590	2850	22000	26000	0.032
6002 ZZ	80102	15	32	9	5590	2850	22000	26000	0.032
6002 2RS	180102	15	32	9	5590	2850	16000	-	0.032
6003	103	17	35	10	6050	3250	20000	24000	0.039
6003 ZZ	80103	17	35	10	6050	3250	20000	24000	0.039
6003 2RS	180103	17	35	10	6050	3250	12000	-	0.039
6004	104	20	42	12	9360	5000	18000	21000	0.070
6004 ZZ	80104	20	42	12	9360	5000	18000	21000	0.070
6004 2RS	180104	20	42	12	9360	5000	10000	-	0.070
6005	105	25	47	12	11200	6550	15000	18000	0.082
6005 ZZ	80105	25	47	12	11200	6550	15000	18000	0.082
6005 2RS	180105	25	47	12	11200	6550	9000	-	0.082
6006	106	30	55	13	13300	8300	13000	15000	0.124
6006 ZZ	80106	30	55	13	13300	8300	13000	15000	0.124
6006 2RS	180106	30	55	13	13300	8300	7500	-	0.124
6007	107	35	62	14	15900	10200	12000	14000	0.161
6007 ZZ	80107	35	62	14	15900	10200	12000	14000	0.161
6007 2RS	180107	35	62	14	15900	10200	6500	-	0.161
6008	108	40	68	15	16800	11600	10000	12000	0.197
6008 ZZ	80108	40	68	15	16800	11600	10000	12000	0.197
6008 2RS	180108	40	68	15	16800	11600	5800	-	0.197
6009	109	45	75	16	20800	14600	9200	11000	0.254
6009 ZZ	80109	45	75	16	20800	14600	9200	11000	0.254
6009 2RS	180109	45	75	16	20800	14600	5300	-	0.254
6010	110	50	80	16	21600	16000	8400	9800	0.279
6010 ZZ	80110	50	80	16	21600	16000	8400	9800	0.279
6010 2RS	180110	50	80	16	21600	16000	4800	-	0.279
6011	111	55	90	18	28100	21200	7700	9000	0.405
6011 ZZ	80111	55	90	18	28100	21200	7700	9000	0.405
6011 2RS	180111	55	90	18	28100	21200	4300	-	0.405
6012	112	60	95	18	29600	23200	7000	8300	0.428
6012 ZZ	80112	60	95	18	29600	23200	7000	8300	0.428
6012 2RS	180112	60	95	18	29600	23200	4000	-	0.428
6013	113	65	100	18	30700	25000	6500	7700	0.458
6013 ZZ	80113	65	100	18	30700	25000	6500	7700	0.458
6013 2RS	180113	65	100	18	30700	25000	3700	-	0.458
6014	114	70	110	20	37700	31000	6100	7100	0.635

ISO	GOST	Dimensions (mm)			Basic Load Rating (N)		Limiting speed (r/min)		Weight (kg)
		d	D	B	Dyn. C	Stat. C ₀	Lubrication		
							Grease	Oil	
6014 ZZ	80114	70	110	20	37700	31000	6100	7100	0.635
6014 2RS	180114	70	110	20	37700	31000	3500	-	0.635
6015	115	75	115	20	39700	33500	5700	6700	0.673
6015 ZZ	80115	75	115	20	39700	33500	5700	6700	0.673
6015 2RS	180115	75	115	20	39700	33500	3300	-	0.673
6016	116	80	125	22	47500	40000	5300	6200	0.877
6016 ZZ	80116	80	125	22	47500	40000	5300	6200	0.877
6016 2RS	180116	80	125	22	47500	40000	3100	-	0.877
6017	117	85	130	22	49400	43000	5000	5900	0.932
6017 ZZ	80117	85	130	22	49400	43000	5000	5900	0.932
6017 2RS	180117	85	130	22	49400	43000	2900	-	0.932
6018	118	90	140	24	58500	50000	4700	5600	1.190
6018 ZZ	80118	90	140	24	58500	50000	4700	5600	1.190
6018 2RS	180118	90	140	24	58500	50000	2700	-	1.190
6019	119	95	145	24	60500	54000	4500	5300	1.247
6019 ZZ	80119	95	145	24	60500	54000	4500	5300	1.247
6019 2RS	180119	95	145	24	60500	54000	2500	-	1.247
6020	120	100	150	24	60500	54000	4200	5000	1.340
6020 ZZ	80120	100	150	24	60500	54000	4200	5000	1.340
6020 2RS	180120	100	150	24	60500	54000	2400	-	1.340
6021	121	105	160	26	72800	65500	4000	4700	1.690
6021 ZZ	80121	105	160	26	72800	65500	4000	4700	1.690
6021 2RS	180121	105	160	26	72800	65500	2300	-	1.690
6022	122	110	170	28	81900	73500	3800	4500	2.023
6022 ZZ	80122	110	170	28	81900	73500	3800	4500	2.023
6022 2RS	180122	110	170	28	81900	73500	2200	-	2.023
6024	124	120	180	28	85200	80000	3200	3800	2.213
6024 ZZ	80124	120	180	28	85200	80000	3200	3800	2.213
6024 2RS	180124	120	180	28	85200	80000	2100	-	2.213
6026	126	130	200	33	104000	100000	3200	3800	3.270
6026 ZZ	80126	130	200	33	104000	100000	3200	3800	3.270
6026 2RS	180126	130	200	33	104000	100000	1900	-	3.270
6028	128	140	210	33	110000	109000	3000	3500	3.547
6028 ZZ	80128	140	210	33	110000	109000	3000	3500	3.547
6028 2RS	180128	140	210	33	110000	109000	1800	-	3.547
6030	130	150	225	35	131000	124000	2800	3200	4.880
6030 ZZ	80130	150	225	35	131000	124000	2800	3200	4.880
6030 2RS	180130	150	225	35	131000	124000	1600	-	4.880
6032	132	160	240	38	136000	135000	2600	3000	6.073
6032 ZZ	80132	160	240	38	136000	135000	2600	3000	6.073
6032 2RS	180132	160	240	38	136000	135000	1500	-	6.073
6034	134	170	260	42	168000	173000	2400	2800	7.175
6034 ZZ	80134	170	260	42	168000	173000	2400	2800	7.175
6036	136	180	280	46	180000	184000	2300	2700	10.56
6036 ZZ	80136	180	280	46	180000	184000	2300	2700	10.56
6038	138	190	290	46	188000	200000	2100	2500	11.07
6038 ZZ	80138	190	290	46	188000	200000	2100	2500	11.07
6040	140	200	310	51	201000	222000	2000	2400	14.10
6040 ZZ	80140	200	310	51	201000	222000	2000	2400	14.10
6044	144	220	340	56	247000	290000	1800	2200	18.50
6048	148	240	360	56	255000	315000	1700	2000	20.00
6052	152	260	400	65	291000	375000	1500	1800	28.50
6056	156	280	420	65	325000	420000	1400	1600	31.00
6060	160	300	460	74	355000	480000	1300	1500	43.50
6064	164	320	480	74	371000	540000	1200	1400	46.00
6068	168	340	520	82	423000	640000	1100	1300	62.00

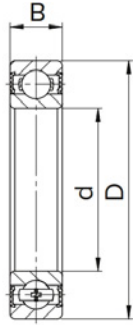
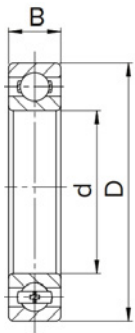
ISO	GOST	Dimensions (mm)			Basic Load Rating (N)		Limiting speed (r/min)		Weight (kg)
		d	D	B	Dyn. C	Stat. C ₀	Lubrication		
							Grease	Oil	
6072	172	360	540	82	462000	735000	1100	1200	64.50
6076	176	380	560	82	470000	750000	990	1200	67.50
6080	180	400	600	90	520000	865000	930	1100	87.50
6084	184	420	620	90	530000	895000	880	1000	91.00
6200	200	10	30	9	5070	2360	25000	30000	0.031
6200 ZZ	80200	10	30	9	5070	2360	25000	30000	0.031
6200 2RS	180200	10	30	9	5070	2360	17000	-	0.031
6201	201	12	32	10	6890	3100	22000	26000	0.038
6201 ZZ	80201	12	32	10	6890	3100	22000	26000	0.038
6201 2RS	180201	12	32	10	6890	3100	15000	-	0.038
6202	202	15	35	11	7800	3750	19000	23000	0.044
6202 ZZ	80202	15	35	11	7800	3750	19000	23000	0.044
6202 2RS	180202	15	35	11	7800	3750	13000	-	0.044
6203	203	17	40	12	9560	4750	18000	21000	0.066
6203 ZZ	80203	17	40	12	9560	4750	18000	21000	0.066
6203 2RS	180203	17	40	12	9560	4750	12000	-	0.066
6204	204	20	47	14	12700	6550	16000	18000	0.109
6204 ZZ	80204	20	47	14	12700	6550	16000	18000	0.109
6204 2RS	180204	20	47	14	12700	6550	10000	-	0.109
6205	205	25	52	15	14000	7800	13000	15000	0.133
6205 ZZ	80205	25	52	15	14000	7800	13000	15000	0.133
6205 2RS	180205	25	52	15	14000	7800	8500	-	0.133
6206	206	30	62	16	19500	11200	11000	13000	0.200
6206 ZZ	80206	30	62	16	19500	11200	11000	13000	0.200
6206 2RS	180206	30	62	16	19500	11200	7500	-	0.200
6207	207	35	72	17	25500	15300	9800	11000	0.299
6207 ZZ	80207	35	72	17	25500	15300	9800	11000	0.299
6207 2RS	180207	35	72	17	25500	15300	6300	-	0.299
6208	208	40	80	18	30700	19000	8700	10000	0.379
6208 ZZ	80208	40	80	18	30700	19000	8700	10000	0.379
6208 2RS	180208	40	80	18	30700	19000	5600	-	0.379
6209	209	45	85	19	33200	21600	7800	9200	0.430
6209 ZZ	80209	45	85	19	33200	21600	7800	9200	0.430
6209 2RS	180209	45	85	19	33200	21600	5000	-	0.430
6210	210	50	90	20	35100	23200	7100	8300	0.475
6210 ZZ	80210	50	90	20	35100	23200	7100	8300	0.475
6210 2RS	180210	50	90	20	35100	23200	4800	-	0.475
6211	211	55	100	21	43600	29000	6400	7600	0.625
6211 ZZ	80211	55	100	21	43600	29000	6400	7600	0.625
6211 2RS	180211	55	100	21	43600	29000	4300	-	0.625
6212	212	60	110	22	47500	32500	6000	7000	0.797
6212 ZZ	80212	60	110	22	47500	32500	6000	7000	0.797
6212 2RS	180212	60	110	22	47500	32500	3700	-	0.797
6213	213	65	120	23	55900	40500	5500	6500	1.017
6213 ZZ	80213	65	120	23	55900	40500	5500	6500	1.017
6213 2RS	180213	65	120	23	55900	40500	3500	-	1.017
6214	214	70	125	24	60500	45000	5100	6000	1.110
6214 ZZ	80214	70	125	24	60500	45000	5100	6000	1.110
6214 2RS	180214	70	125	24	60500	45000	3300	-	1.110
6215	215	75	130	25	66300	49000	4800	5600	1.210
6215 ZZ	80215	75	130	25	66300	49000	4800	5600	1.210
6215 2RS	180215	75	130	25	66300	49000	3100	-	1.210
6216	216	80	140	26	70200	55000	4500	5300	1.460
6216 ZZ	80216	80	140	26	70200	55000	4500	5300	1.460
6216 2RS	180216	80	140	26	70200	55000	2900	-	1.460
6217	217	85	150	28	83200	64000	4200	5000	1.847
6217 ZZ	80217	85	150	28	83200	64000	4200	5000	1.847
6217 2RS	180217	85	150	28	83200	64000	2700	-	1.847
6218	218	90	160	30	95600	73500	4000	4700	2.223

ISO	GOST	Dimensions (mm)			Basic Load Rating (N)		Limiting speed (r/min)		Weight (kg)
		d	D	B	Dyn. C	Stat. C ₀	Lubrication		
							Grease	Oil	
6218 ZZ	80218	90	160	30	95600	73500	4000	4700	2.223
6218 2RS	180218	90	160	30	95600	73500	2600	-	2.223
6219	219	95	170	32	108000	81500	3700	4400	2.713
6219 ZZ	80219	95	170	32	108000	81500	3700	4400	2.713
6219 2RS	180219	95	170	32	108000	81500	2400	-	2.713
6220	220	100	180	34	124000	93000	3500	4200	3.321
6220 ZZ	80220	100	180	34	124000	93000	3500	4200	3.321
6220 2RS	180220	100	180	34	124000	93000	2300	-	3.321
6221	221	105	190	36	133000	104000	3400	4000	3.717
6221 ZZ	80221	105	190	36	133000	104000	3400	4000	3.717
6221 2RS	180221	105	190	36	133000	105000	2200	-	3.717
6222	222	110	200	38	143000	118000	3200	3800	4.340
6222 ZZ	80222	110	200	38	143000	118000	3200	3800	4.340
6222 2RS	180222	110	200	38	143000	118000	2000	-	4.340
6224	224	120	215	40	148000	131000	2900	3400	5.100
6224 ZZ	80224	120	215	40	148000	131000	2900	3400	5.100
6224 2RS	180224	120	215	40	148000	131000	1900	-	5.100
6226	226	130	230	40	156000	146000	2700	3100	5.615
6226 ZZ	80226	130	230	40	156000	146000	2700	3100	5.615
6228	228	140	250	42	165000	150000	2500	2900	7.485
6228 ZZ	80228	140	250	42	165000	150000	2500	2900	7.485
6230	230	150	270	45	174000	166000	2300	2700	9.475
6230 ZZ	80230	150	270	45	174000	166000	2300	2700	9.475
6232	232	160	290	48	186000	186000	2100	2500	14.590
6232 ZZ	80232	160	290	48	186000	186000	2100	2500	14.590
6234	234	170	310	52	212000	224000	2000	2400	17.570
6234 ZZ	80234	170	310	52	212000	224000	2000	2400	17.570
6236	236	180	320	52	229000	240000	1900	2200	18.600
6236 ZZ	80236	180	320	52	229000	240000	1900	2200	18.600
6238	238	190	340	55	255000	280000	1800	2100	22.800
6240	240	200	360	58	270000	310000	1700	2000	28.000
6244	244	220	400	65	296000	365000	1500	1800	32.40
6248	248	240	440	72	340000	431000	1300	1600	51.00
6252	252	260	480	80	390000	530000	1100	1400	65.50
6256	256	280	500	80	423000	600000	1100	1400	71.00
6260	260	300	540	85	441000	663000	1000	1350	89.50
6264	264	320	580	92	489000	744000	950	1200	113.00
6268	268	340	620	92	511000	817000	900	1100	131.00
6272	272	360	650	95	557000	904000	850	1000	144.00
6276	276	380	680	95	584000	990000	800	900	162.00
6280	280	400	720	103	628000	1080000	700	800	197.00
6300	300	10	35	11	8060	3400	23000	27000	0.054
6300 ZZ	80300	10	35	11	8060	3400	23000	27000	0.054
6300 2RS	180300	10	35	11	8060	3400	15000	-	0.054
6301	301	12	37	12	9750	4150	20000	24000	0.063
6301 ZZ	80301	12	37	12	9750	4150	20000	24000	0.063
6301 2RS	180301	12	37	12	9750	4150	14000	-	0.063
6302	302	15	42	13	11400	5400	17000	21000	0.087
6302 ZZ	80302	15	42	13	11400	5400	17000	21000	0.087
6302 2RS	180302	15	42	13	11400	5400	12000	-	0.087
6303	303	17	47	14	13500	6550	16000	19000	0.117
6303 ZZ	80303	17	47	14	13500	6550	16000	19000	0.117
6303 2RS	180303	17	47	14	13500	6550	11000	-	0.117
6304	304	20	52	15	15900	7800	14000	17000	0.153
6304 ZZ	80304	20	52	15	15900	7800	14000	17000	0.153
6304 2RS	180304	20	52	15	15900	7800	9500	-	0.153
6305	305	25	62	17	22500	11600	12000	14000	0.238
6305 ZZ	80305	25	62	17	22500	11600	12000	14000	0.238
6305 2RS	180305	25	62	17	22500	11600	7500	-	0.238

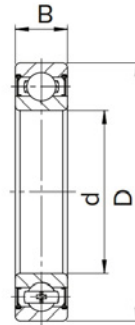
ISO	GOST	Dimensions (mm)			Basic Load Rating (N)		Limiting speed (r/min)		Weight (kg)
		d	D	B	Dyn. C	Stat. C ₀	Lubrication		
							Grease	Oil	
6306	306	30	72	19	28100	16000	10000	12000	0.360
6306 ZZ	80306	30	72	19	28100	16000	10000	12000	0.360
6306 2RS	180306	30	72	19	28100	16000	6300	-	0.360
6307	307	35	80	21	33200	19000	8800	10000	0.467
6307 ZZ	80307	35	80	21	33200	19000	8800	10000	0.467
6307 2RS	180307	35	80	21	33200	19000	6000	-	0.467
6308	308	40	90	23	41000	24000	7800	9200	0.640
6308 ZZ	80308	40	90	23	41000	24000	7800	9200	0.640
6308 2RS	180308	40	90	23	41000	24000	5000	-	0.640
6309	309	45	100	25	52700	31500	7000	8200	0.843
6309 ZZ	80309	45	100	25	52700	31500	7000	8200	0.843
6309 2RS	180309	45	100	25	52700	31500	4500	-	0.843
6310	310	50	110	27	61800	38000	6400	7500	1.097
6310 ZZ	80310	50	110	27	61800	38000	6400	7500	1.097
6310 2RS	180310	50	110	27	61800	38000	4300	-	1.097
6311	311	55	120	29	71500	45000	5800	6800	1.377
6311 ZZ	80311	55	120	29	71500	45000	5800	6800	1.377
6311 2RS	180311	55	120	29	71500	45000	3800	-	1.377
6312	312	60	130	31	81900	52000	5400	6300	1.733
6312 ZZ	80312	60	130	31	81900	52000	5400	6300	1.733
6312 2RS	180312	60	130	31	81900	52000	3400	-	1.733
6313	313	65	140	33	92300	60000	4900	5800	2.153
6313 ZZ	80313	65	140	33	92300	60000	4900	5800	2.153
6313 2RS	180313	65	140	33	92300	60000	3200	-	2.153
6314	314	70	150	35	104000	68000	4600	5400	2.560
6314 ZZ	80314	70	150	35	104000	68000	4600	5400	2.560
6314 2RS	180314	70	150	35	104000	68000	3000	-	2.560
6315	315	75	160	37	111400	76500	4300	5000	3.120
6315 ZZ	80315	75	160	37	111400	76500	4300	5000	3.120
6315 2RS	180315	75	160	37	111400	76500	2800	-	3.120
6316	316	80	170	39	124000	86500	4000	4700	3.680
6316 ZZ	80316	80	170	39	124000	86500	4000	4700	3.680
6316 2RS	180316	80	170	39	124000	86500	2700	-	3.680
6317	317	85	180	41	133000	96500	3800	4500	4.303
6317 ZZ	80317	85	180	41	133000	96500	3800	4500	4.303
6317 2RS	180317	85	180	41	133000	96500	2500	-	4.303
6318	318	90	190	43	143000	108000	3600	4200	4.967
6318 ZZ	80318	90	190	43	143000	108000	3600	4200	4.967
6318 2RS	180318	90	190	43	143000	108000	2400	-	4.967
6319	319	95	200	45	153000	118000	3300	3900	5.710
6319 ZZ	80319	95	200	45	153000	118000	3300	3900	5.710
6319 2RS	180319	95	200	45	153000	118000	2200	-	5.710
6320	320	100	215	47	174000	140000	3200	3700	7.633
6320 ZZ	80320	100	215	47	174000	140000	3200	3700	7.633
6320 2RS	180320	100	215	47	174000	140000	2100	-	7.633
6321	321	105	225	49	182000	153000	3000	3600	8.677
6321 ZZ	80321	105	225	49	182000	153000	3000	3600	8.677
6321 2RS	180321	105	225	49	182000	153000	1900	-	8.677
6322	322	110	240	50	203000	180000	2900	3400	9.603
6322 ZZ	80322	110	240	50	203000	180000	2900	3400	9.603
6322 2RS	180322	110	240	50	203000	180000	1600	-	9.603
6324	324	120	260	55	208000	186000	2600	3100	12.750
6324 ZZ	80324	120	260	55	208000	186000	2600	3100	12.750
6326	326	130	280	58	230000	216000	2400	2800	18.400
6326 ZZ	80326	130	280	58	230000	216000	2400	2800	18.400
6328	328	140	300	62	251000	245000	2200	2600	22.000
6328 ZZ	80328	140	300	62	251000	245000	2200	2600	22.000
6330	330	150	320	65	276000	285000	2000	2400	23.000
6332	332	160	340	68	285000	300000	1900	2300	29.000

ISO	GOST	Dimensions (mm)			Basic Load Rating (N)		Limiting speed (r/min)		Weight (kg)
		d	D	B	Dyn. C	Stat. C ₀	Lubrication		
							Grease	Oil	
6334	334	170	360	72	312000	340000	1800	2100	34.500
6336	336	180	380	75	351000	405000	1700	2000	42.500
6338	338	190	400	78	371000	430000	1600	1900	49.000
6340	340	200	420	80	377000	465000	1500	1800	55.500
6344	344	220	460	88	410000	520000	1400	1600	60.800
6348	348	240	500	95	470000	624000	1300	1500	93.300
6352	352	260	540	102	531000	741000	1200	1400	116.000
6356	356	280	580	108	568000	845000	1100	1300	145.000
6360	360	300	620	109	593000	886000	1000	1150	169.000
6364	364	320	670	112	634000	1010000	900	1050	207.000
6368	368	340	710	118	704000	1160000	800	950	238.000
6403	403	17	62	17	22900	10800	13000	15000	0.270
6403 ZZ	80403	17	62	17	22900	10800	13000	15000	0.270
6403 2RS	180403	17	62	17	22900	10800	8000	-	0.270
6404	404	20	72	19	31000	15200	9500	12000	0.400
6404 ZZ	80404	20	72	19	31000	15200	9500	12000	0.400
6404 2RS	180404	20	72	19	31000	15200	6300	-	0.400
6405	405	25	80	21	35800	19300	8500	10000	0.530
6405 ZZ	80405	25	80	21	35800	19300	8500	10000	0.530
6405 2RS	180405	25	80	21	35800	19300	5600	-	0.530
6406	406	30	90	23	43600	23600	7500	9000	0.740
6406 ZZ	80406	30	90	23	43600	23600	7500	9000	0.740
6406 2RS	180406	30	90	23	43600	23600	5000	-	0.740
6407	407	35	100	25	55300	31000	6700	8000	0.950
6407 ZZ	80407	35	100	25	55300	31000	6700	8000	0.950
6407 2RS	180407	35	100	25	55300	31000	4500	-	0.950
6408	408	40	110	27	63700	36500	6000	7000	1.250
6408 ZZ	80408	40	110	27	63700	36500	6000	7000	1.250
6408 2RS	180408	40	110	27	63700	36500	4000	-	1.250
6409	409	45	120	29	76100	45000	5300	6300	1.550
6409 ZZ	80409	45	120	29	76100	45000	5300	6300	1.550
6409 2RS	180409	45	120	29	76100	45000	3600	-	1.550
6410	410	50	130	31	87100	52000	5000	6000	1.900
6410 ZZ	80410	50	130	31	87100	52000	5000	6000	1.900
6410 2RS	180410	50	130	31	87100	52000	3400	-	1.900
6411	411	55	140	33	99500	62000	4500	5300	2.300
6411 ZZ	80411	55	140	33	99500	62000	4500	5300	2.300
6411 2RS	180411	55	140	33	99500	62000	3000	-	2.300
6412	412	60	150	35	108000	69500	4300	5000	2.750
6412 ZZ	80412	60	150	35	108000	69500	4300	5000	2.750
6412 2RS	180412	60	150	35	108000	69500	2800	-	2.750
6413	413	65	160	37	119000	78000	4000	4800	3.300
6413 ZZ	80413	65	160	37	119000	78000	4000	4800	3.300
6413 2RS	180413	65	160	37	119000	78000	2600	-	3.300
6414	414	70	180	42	143000	10400	3800	4500	4.850
6414 ZZ	80414	70	180	42	143000	10400	3800	4500	4.850
6414 2RS	180414	70	180	42	143000	10400	2500	-	4.850
6415	415	75	190	45	153000	114000	3700	4400	6.800
6415 ZZ	80415	75	190	45	153000	114000	3700	4400	6.800
6415 2RS	180415	75	190	45	153000	114000	2300	-	6.800
6416	416	80	200	48	162000	125000	3600	4200	6.422
6416 ZZ	80416	80	200	48	162000	125000	3600	4200	6.422
6416 2RS	180416	80	200	48	162000	125000	2100	-	6.422
6417	417	85	210	52	174000	137000	3400	4000	9.500
6417 ZZ	80417	85	210	52	174000	137000	3400	4000	9.500
6417 2RS	180417	85	210	52	174000	137000	1800	-	9.500
6418	418	90	225	54	186000	150000	3200	3800	9.560
6418 ZZ	80418	90	225	54	186000	150000	3200	3800	9.560
6418 2RS	180418	90	225	54	186000	150000	1400	-	9.560

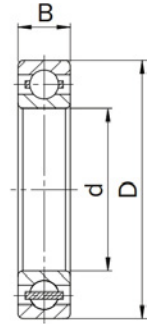
ISO	GOST	Dimensions (mm)			Basic Load Rating (N)		Limiting speed (r/min)		Weight (kg)
		d	D	B	Dyn. C	Stat. C ₀	Lubrication		
							Grease	Oil	
6419	419	95	240	55	188000	153000	3000	3500	11.000
6419 ZZ	80419	95	240	55	188000	153000	3000	3500	11.000
6419 2RS	180419	95	240	55	188000	153000	1100	-	11.000
6420	420	100	250	58	206000	175000	2900	3400	12.900
6420 ZZ	80420	100	250	58	206000	175000	2900	3400	12.900
6420 2RS	180420	100	250	58	206000	175000	900	-	12.900
6421	421	105	260	60	222000	179000	2700	3200	16.800
6422	422	110	280	65	247000	227000	2600	3000	21.300
6424	424	120	310	72	291000	287000	2300	2800	29.000
6426	426	130	340	78	300000	298000	2200	2500	38.000
62200 2RS	180500	10	30	14	5100	2400	17000	-	0.045
62201 2RS	180501	12	32	14	6900	3100	15000	-	0.048
62202 2RS	180502	15	35	14	7800	3750	13000	-	0.054
62203 2RS	180503	17	40	16	9500	4750	12000	-	0.083
62204 2RS	180504	20	47	18	12700	6550	10000	-	0.130
62205 2RS	180505	25	52	18	14000	7800	8500	-	0.150
62206 2RS	180506	30	62	20	16500	11200	7500	-	0.243
62207 2RS	180507	35	72	23	25500	15300	6300	-	0.388
62208 2RS	180508	40	80	23	30700	19000	5600	-	0.471
62209 2RS	180509	45	85	23	33200	21600	5000	-	0.523
62210 2RS	180510	50	90	23	35100	23200	4800	-	0.550
62211 2RS	180511	55	100	25	43600	29000	4300	-	0.700
62212 2RS	180512	60	110	28	47500	32500	4000	-	0.970
62213 2RS	180513	65	120	31	55900	40500	3600	-	1.250
62214 2RS	180514	70	125	31	60500	45000	3400	-	1.300
62300 2RS	180600	10	35	17	8000	3400	15000	-	0.060
62301 2RS	180601	12	37	17	9750	4150	14000	-	0.070
62302 2RS	180602	15	42	17	11400	5400	12000	-	0.110
62303 2RS	180603	17	47	19	13500	6550	11000	-	0.150
62304 2RS	180604	20	52	21	15900	7800	9500	-	0.207
62305 2RS	180605	25	62	24	22500	11600	7500	-	0.326
62306 2RS	180606	30	72	27	28100	16000	6300	-	0.493
62307 2RS	180607	35	80	31	33200	19000	6000	-	0.680
62308 2RS	180608	40	90	33	41000	24000	5000	-	0.890
62309 2RS	180609	45	100	36	52700	31500	4500	-	1.190
62310 2RS	180610	50	110	40	61800	38000	4300	-	1.500
62311 2RS	180611	55	120	43	71500	45000	3800	-	1.950
62312 2RS	180612	60	130	46	81900	52000	3400	-	2.500
62313 2RS	180613	65	140	48	92300	60000	3200	-	3.000
62314 2RS	180614	70	150	51	104000	68000	3000	-	3.550



2RS



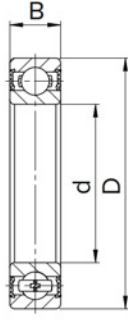
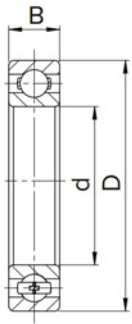
ZZ



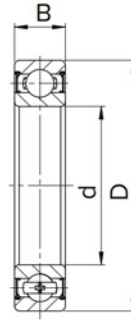
M

ISO	GOST	Dimensions (mm)			Basic Load Rating (N)		Limiting speed (r/min)		Weight (kg)
							Lubrication		
		d	D	B	Dyn. C	Stat. C ₀	Grease	Oil	
16001	7000101	12	28	7	5100	2390	26000	30000	0.022
16001 ZZ	7000101 ZZ	12	28	7	5100	2390	26000	30000	0.022
16001 2RS	7000101 2RS	12	28	7	5100	2390	26000	-	0.022
16002	7000102	15	32	8	5590	2850	22000	26000	0.025
16002 ZZ	7000102 ZZ	15	32	8	5590	2850	22000	26000	0.025
16002 2RS	7000102 2RS	15	32	8	5590	2850	22000	-	0.025
16003	7000103	17	35	8	6050	3250	20000	24000	0.032
16003 ZZ	7000103 ZZ	17	35	8	6050	3250	20000	24000	0.032
16003 2RS	7000103 2RS	17	35	8	6050	3250	20000	-	0.032
16004	7000104	20	42	8	6890	4500	18000	21000	0.050
16004 ZZ	7000104 ZZ	20	42	8	6890	4500	18000	21000	0.050
16004 2RS	7000104 2RS	20	42	8	6890	4500	18000	-	0.050
16005	7000105	25	47	8	7610	4750	15000	18000	0.060
16005 ZZ	7000105 ZZ	25	47	8	7610	4750	15000	18000	0.060
16005 2RS	7000105 2RS	25	47	8	7610	4750	15000	-	0.060
16006	7000106	30	55	9	11200	7350	13000	15000	0.085
16006 ZZ	7000106 ZZ	30	55	9	11200	7350	13000	15000	0.085
16006 2RS	7000106 2RS	30	55	9	11200	7350	13000	-	0.085
16007	7000107	35	62	9	12400	8150	12000	14000	0.110
16007 ZZ	7000107 ZZ	35	62	9	12400	8150	12000	14000	0.110
16007 2RS	7000107 2RS	35	62	9	12400	8150	12000	-	0.110
16008	7000108	40	68	9	13300	9150	10000	12000	0.130
16008 ZZ	7000108 ZZ	40	68	9	13300	9150	10000	12000	0.130
16008 2RS	7000108 2RS	40	68	9	13300	9150	10000	-	0.130
16009	7000109	45	75	10	15600	10800	9200	11000	0.170
16009 ZZ	7000109 ZZ	45	75	10	15600	10800	9200	11000	0.170
16009 2RS	7000109 2RS	45	75	10	15600	10800	9200	-	0.170
16010	7000110	50	80	10	16300	11400	8400	9800	0.180
16010 ZZ	7000110 ZZ	50	80	10	16300	11400	8400	9800	0.180
16010 2RS	7000110 2RS	50	80	10	16300	11400	8400	-	0.180
16011	7000111	55	90	11	19500	14000	7700	9000	0.260
16011 ZZ	7000111 ZZ	55	90	11	19500	14000	7700	9000	0.260
16011 2RS	7000111 2RS	55	90	11	19500	14000	7700	-	0.260
16012	7000112	60	95	11	19900	15000	7000	8300	0.280
16012 ZZ	7000112 ZZ	60	95	11	19900	15000	7000	8300	0.280
16012 2RS	7000112 2RS	60	95	11	19900	15000	7000	-	0.280
16013	7000113	65	100	11	21200	16600	6500	7700	0.300
16013 ZZ	7000113 ZZ	65	100	11	21200	16600	6500	7700	0.300
16013 2RS	7000113 2RS	65	100	11	21200	16600	6500	-	0.300
16014	7000114	70	110	13	27800	25000	6000	7100	0.430
16014 ZZ	7000114 ZZ	70	110	13	27800	25000	6000	7100	0.430
16014 2RS	7000114 2RS	70	110	13	27800	25000	6000	-	0.430
16015	7000115	75	115	13	28600	27000	5600	6600	0.460

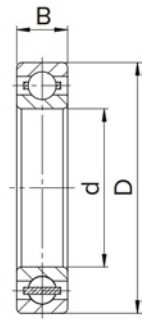
ISO	GOST	Dimensions (mm)			Basic Load Rating (N)		Limiting speed (r/min)		Weight (kg)
		d	D	B	Dyn. C	Stat. C ₀	Lubrication		
							Grease	Oil	
16015 ZZ	7000115 ZZ	75	115	13	28600	27000	5600	6600	0.460
16015 2RS	7000115 2RS	75	115	13	28600	27000	5600	-	0.460
16016	7000116	80	125	14	33200	31500	5300	6200	0.600
16016 ZZ	7000116 ZZ	80	125	14	33200	31500	5300	6200	0.600
16016 2RS	7000116 2RS	80	125	14	33200	31500	5300	-	0.600
16017	7000117	85	130	14	33800	33500	5000	5900	0.630
16017 ZZ	7000117 ZZ	85	130	14	33800	33500	5000	5900	0.630
16017 2RS	7000117 2RS	85	130	14	33800	33500	5000	-	0.630
16018	7000118	90	140	16	33500	33500	4700	5600	0.850
16018 ZZ	7000118 ZZ	90	140	16	33500	33500	4700	5600	0.850
16018 2RS	7000118 2RS	90	140	16	33500	33500	4700	-	0.850
16019	7000119	95	145	16	34500	35000	4500	5300	0.890
16019 ZZ	7000119 ZZ	95	145	16	34500	35000	4500	5300	0.890
16019 2RS	7000119 2RS	95	145	16	34500	33500	4500	-	0.890
16020	7000120	100	150	16	44200	44000	4200	5000	0.910
16020 ZZ	7000120 ZZ	100	150	16	35000	36500	4200	5000	0.910
16020 2RS	7000120 2RS	100	150	16	35000	36500	4200	-	0.910
16021	7000121	105	160	18	52000	51000	4000	4700	1.200
16022	7000122	110	170	19	57200	57000	3800	4500	1.450
16024	7000124	120	180	19	60500	64000	3500	4100	1.600
16026	7000126	130	200	22	79300	81500	3200	3800	2.350
16028	7000128	140	210	22	80600	86500	3000	3500	2.500
16030	7000130	150	225	24	92300	98000	2800	3200	3.150
16032	7000132	160	240	25	99500	108000	2600	3000	3.700
16034	7000134	170	260	28	119000	129000	2400	2800	5.000
16036	7000136	180	280	31	138000	146000	2300	2700	6.600
16038	7000138	190	290	31	148000	166000	2100	2500	7.900
16040	7000140	200	310	34	168000	190000	2000	2400	8.850
16044	7000144	220	340	37	174000	204000	1800	2200	11.500
16048	7000148	240	360	37	178000	217000	1700	2000	12.100
16052	7000152	260	400	44	227000	299000	1500	1800	18.500
16056	7000156	280	420	44	232000	315000	1400	1600	23.000
16060	7000160	300	460	50	292000	410000	1300	1500	32.500
16064	7000164	320	480	50	300000	440000	1200	1400	34.200
16068	7000168	340	520	57	340000	515000	1100	1300	47.100
16072	7000172	360	540	57	350000	550000	1100	1200	49.300
16076	7000176	380	560	57	377000	620000	950	1200	51.000
16080	7000180	400	600	63	358000	587000	890	1080	65.000
16084	7000184	420	620	63	367000	617000	810	1000	69.900
16088	7000188	440	650	67	407000	710000	730	920	81.700
16092	7000192	460	680	71	431000	767000	650	840	91.200
16096	7000196	480	700	71	444000	807000	570	760	98.500



2RS



ZZ



M

ISO	GOST	Dimensions (mm)			Basic Load Rating (N)		Limiting speed (r/min)		Weight (kg)
		d	D	B	Dyn. C	Stat. C ₀	Lubrication		
							Grease	Oil	
61800	1000800	10	19	5	1380	585	32000	38000	0.005
61800 ZZ	1000800 ZZ	10	19	5	1380	585	32000	38000	0.005
61800 2RS	1000800 2RS	10	19	5	1380	585	20000	-	0.005
61801	1000801	12	21	5	1430	670	29000	35000	0.006
61801 ZZ	1000801 ZZ	12	21	5	1430	670	29000	35000	0.006
61801 2RS	1000801 2RS	12	21	5	1430	670	19000	-	0.006
61802	1000802	15	24	5	1560	800	26000	31000	0.007
61802 ZZ	1000802 ZZ	15	24	5	1560	800	26000	31000	0.007
61802 2RS	1000802 2RS	15	24	5	1560	800	17000	-	0.007
61803	1000803	17	26	5	1680	930	24000	28000	0.008
61803 ZZ	1000803 ZZ	17	26	5	1680	930	24000	28000	0.008
61803 2RS	1000803 2RS	17	26	5	1680	930	16000	-	0.008
61804	1000804	20	32	7	2700	1500	21000	25000	0.018
61804 ZZ	1000804 ZZ	20	32	7	2700	1500	21000	25000	0.018
61804 2RS	1000804 2RS	20	32	7	2700	1500	13000	-	0.018
61805	1000805	25	37	7	4360	2600	18000	21000	0.022
61805 ZZ	1000805 ZZ	25	37	7	4360	2600	18000	21000	0.022
61805 2RS	1000805 2RS	25	37	7	4360	2600	11000	-	0.022
61806	1000806	30	42	7	4490	2900	15000	18000	0.027
61806 ZZ	1000806 ZZ	30	42	7	4490	2900	15000	18000	0.027
61806 2RS	1000806 2RS	30	42	7	4490	2900	9500	-	0.027
61807	1000807	35	47	7	4750	3200	13000	16000	0.030
61807 ZZ	1000807 ZZ	35	47	7	4750	3200	13000	16000	0.030
61807 2RS	1000807 2RS	35	47	7	4750	3200	8000	-	0.030
61808	1000808	40	52	7	4940	3450	12000	14000	0.034
61808 ZZ	1000808 ZZ	40	52	7	4940	3450	12000	14000	0.034
61808 2RS	1000808 2RS	40	52	7	4940	3450	7500	-	0.034
61809	1000809	45	58	7	6050	4300	11000	12000	0.040
61809 ZZ	1000809 ZZ	45	58	7	6050	4300	11000	12000	0.040
61809 2RS	1000809 2RS	45	58	7	6050	4300	6700	-	0.040
61810	1000810	50	65	7	6240	4750	9600	11000	0.052
61810 ZZ	1000810 ZZ	50	65	7	6240	4750	9600	11000	0.052
61810 2RS	1000810 2RS	50	65	7	6240	4750	6000	-	0.052
61811	1000811	55	72	9	8320	6200	8700	10000	0.083
61811 ZZ	1000811 ZZ	55	72	9	8320	6200	8700	10000	0.083
61811 2RS	1000811 2RS	55	72	9	8320	6200	5300	-	0.083
61812	1000812	60	78	10	8710	6700	8000	9400	0.110
61812 ZZ	1000812 ZZ	60	78	10	8710	6700	8000	9400	0.110
61812 2RS	1000812 2RS	60	78	10	8710	6700	4800	-	0.110
61813	1000813	65	85	10	12000	11500	7400	8700	0.130
61813 ZZ	1000813 ZZ	65	85	10	12000	11500	7400	8700	0.130
61813 2RS	1000813 2RS	65	85	10	12000	11500	4500	-	0.130
61814	1000814	70	90	10	12100	11900	6900	8100	0.140

ISO	GOST	Dimensions (mm)			Basic Load Rating (N)		Limiting speed (r/min)		Weight (kg)
		d	D	B	Dyn. C	Stat. C ₀	Lubrication		
							Grease	Oil	
61814 ZZ	1000814 ZZ	70	90	10	12100	11900	6900	8100	0.140
61814 2RS	1000814 2RS	70	90	10	12100	11900	4300	-	0.140
61815	1000815	75	95	10	12500	10800	6400	7600	0.150
61815 ZZ	1000815 ZZ	75	95	10	12500	10800	6400	7600	0.150
61815 2RS	1000815 2RS	75	95	10	12500	10800	4000	-	0.150
61816	1000816	80	100	10	13300	12400	6000	7100	0.155
61816 ZZ	1000816 ZZ	80	100	10	13300	12400	6000	7100	0.155
61816 2RS	1000816 2RS	80	100	10	13300	12400	3600	-	0.155
61817	1000817	85	110	13	19500	16600	5700	6700	0.270
61817 ZZ	1000817 ZZ	85	110	13	19500	16600	5700	6700	0.270
61817 2RS	1000817 2RS	85	110	13	19500	16600	3400	-	0.270
61818	1000818	90	115	13	19900	17000	5400	6300	0.280
61818 ZZ	1000818 ZZ	90	115	13	19900	17000	5400	6300	0.280
61818 2RS	1000818 2RS	90	115	13	19900	17000	3200	-	0.280
61819	1000819	95	120	13	19900	17600	5000	5900	0.300
61819 ZZ	1000819 ZZ	95	120	13	19900	17600	5000	5900	0.300
61819 2RS	1000819 2RS	95	120	13	19900	17600	3000	-	0.300
61820	1000820	100	125	13	19900	18300	4800	5600	0.310
61820 ZZ	1000820 ZZ	100	125	13	19900	18300	4800	5600	0.310
61820 2RS	1000820 2RS	100	125	13	19900	18300	3000	-	0.310
61821	1000821	105	130	13	20800	19600	4600	5400	0.320
61821 ZZ	1000821 ZZ	105	130	13	20800	19600	4600	5400	0.320
61821 2RS	1000821 2RS	105	130	13	20800	19600	2800	-	0.320
61822	1000822	110	140	16	28100	30700	4300	5100	0.600
61822 ZZ	1000822 ZZ	110	140	16	28100	30700	4300	5100	0.600
61822 2RS	1000822 2RS	110	140	16	28100	30700	2600	-	0.600
61824	1000824	120	150	16	29000	33000	4000	4700	0.650
61824 ZZ	1000824 ZZ	120	150	16	29000	33000	4000	4700	0.650
61824 2RS	1000824 2RS	120	150	16	29000	33000	2400	-	0.650
61826	1000826	130	165	18	39000	43000	3700	4300	0.930
61826 ZZ	1000826 ZZ	130	165	18	39000	43000	3700	4300	0.930
61826 2RS	1000826 2RS	130	165	18	39000	43000	2200	-	0.930
61828	1000828	140	175	18	40500	46500	3400	4000	0.990
61828 ZZ	1000828 ZZ	140	175	18	40500	46500	3400	4000	0.990
61828 2RS	1000828 2RS	140	175	18	40500	46500	2000	-	0.990
61830	1000830	150	190	20	47500	54500	3100	3700	1.200
61830 ZZ	1000830 ZZ	150	190	20	47500	54500	3100	3700	1.200
61832	1000832	160	200	20	49400	64000	2900	3400	1.300
61832 ZZ	1000832 ZZ	160	200	20	49400	64000	2900	3400	1.300
61834	1000834	170	215	22	61800	78000	2700	3200	1.850
61834 ZZ	1000834 ZZ	170	215	22	61800	78000	2700	3200	1.850
61836	1000836	180	225	22	62400	81500	2600	3000	2.000
61836 ZZ	1000836 ZZ	180	225	22	62400	81500	2600	3000	2.000
61838	1000838	190	240	24	73000	88000	2400	2900	2.620
61838 ZZ	1000838 ZZ	190	240	24	73000	88000	2400	2900	2.620
61840	1000840	200	250	24	76100	102000	2300	2700	2.700
61844	1000844	220	270	24	78000	110000	2100	2400	3.000
61848	1000848	240	300	28	98500	127000	1900	2200	4.600
61852	1000852	260	320	28	11000	163000	1700	2000	4.800
61856	1000856	280	350	33	138000	200000	1600	1900	7.400
61860	1000860	300	380	38	162000	210000	1500	1700	10.500
61864	1000864	320	400	38	168000	228000	1400	1600	10.900
61868	1000868	340	420	38	170000	236000	1300	1500	11.500
61872	1000872	360	440	38	187000	258000	1200	1400	12.300
61876	1000876	380	480	46	231000	340000	1100	1300	19.700
61880	1000880	400	500	46	235000	350000	1100	1200	20.600

ISO	GOST	Dimensions (mm)			Basic Load Rating (N)		Limiting speed (r/min)		Weight (kg)
		d	D	B	Dyn. C	Stat. C ₀	Lubrication		
							Grease	Oil	
61884	1000884	420	520	46	260000	405000	1000	1200	21.600
61888	1000888	440	540	46	264000	420000	880	1000	22.500
61892	1000892	460	580	56	315000	515000	900	1100	34.800
61896	1000896	480	600	56	325000	600000	850	1000	36.500
61900	1000900	10	22	6	1950	750	30000	36000	0.010
61900 ZZ	1000900 ZZ	10	22	6	1950	750	30000	36000	0.010
61900 2RS	1000900 2RS	10	22	6	1950	750	19000	-	0.010
61901	1000901	12	24	6	2250	980	27000	32000	0.011
61901 ZZ	1000901 ZZ	12	24	6	2250	980	27000	32000	0.011
61901 2RS	1000901 2RS	12	24	6	2250	980	18000	-	0.011
61902	1000902	15	28	7	4030	2040	24000	28000	0.016
61902 ZZ	1000902 ZZ	15	28	7	4030	2040	24000	28000	0.016
61902 2RS	1000902 2RS	15	28	7	4030	2040	16000	-	0.016
61903	1000903	17	30	7	4360	2320	22000	26000	0.018
61903 ZZ	1000903 ZZ	17	30	7	4360	2320	22000	26000	0.018
61903 2RS	1000903 2RS	17	30	7	4360	2320	14000	-	0.018
61904	1000904	20	37	9	6370	3650	19000	23000	0.038
61904 ZZ	1000904 ZZ	20	37	9	6370	3650	19000	23000	0.038
61904 2RS	1000904 2RS	20	37	9	6370	3650	12000	-	0.038
61905	1000905	25	42	9	6630	4000	16000	19000	0.045
61905 ZZ	1000905 ZZ	25	42	9	6630	4000	16000	19000	0.045
61905 2RS	1000905 2RS	25	42	9	6630	4000	10000	-	0.045
61906	1000906	30	47	9	7280	4550	14000	17000	0.051
61906 ZZ	1000906 ZZ	30	47	9	7280	4550	14000	17000	0.051
61906 2RS	1000906 2RS	30	47	9	7280	4550	8500	-	0.051
61907	1000907	35	55	10	9560	6200	12000	15000	0.080
61907 ZZ	1000907 ZZ	35	55	10	9560	6200	12000	15000	0.080
61907 2RS	1000907 2RS	35	55	10	9560	6200	7500	-	0.080
61908	1000908	40	62	12	13800	9300	11000	13000	0.110
61908 ZZ	1000908 ZZ	40	62	12	13800	9300	11000	13000	0.110
61908 2RS	1000908 2RS	40	62	12	13800	9300	6700	-	0.110
61909	1000909	45	68	12	10100	6700	9800	12000	0.140
61909 ZZ	1000909 ZZ	45	68	12	10100	6700	9800	12000	0.140
61909 2RS	1000909 2RS	45	68	12	10100	6700	6000	-	0.140
61910	1000910	50	72	12	14600	10400	8900	11000	0.140
61910 ZZ	1000910 ZZ	50	72	12	14600	10400	8900	11000	0.140
61910 2RS	1000910 2RS	50	72	12	14600	10400	5600	-	0.140
61911	1000911	55	80	13	15900	11400	8200	9600	0.190
61911 ZZ	1000911 ZZ	55	80	13	15900	11400	8200	9600	0.190
61911 2RS	1000911 2RS	55	80	13	15900	11400	5000	-	0.190
61912	1000912	60	85	13	16500	12000	7600	8900	0.200
61912 ZZ	1000912 ZZ	60	85	13	16500	12000	7600	8900	0.200
61912 2RS	1000912 2RS	60	85	13	16500	12000	4500	-	0.200
61913	1000913	65	90	13	17400	13400	7000	8200	0.220
61913 ZZ	1000913 ZZ	65	90	13	17400	13400	7000	8200	0.220
61913 2RS	1000913 2RS	65	90	13	17400	13400	4300	-	0.220
61914	1000914	70	100	16	23800	18300	6500	7700	0.350
61914 ZZ	1000914 ZZ	70	100	16	23800	18300	6500	7700	0.350
61914 2RS	1000914 2RS	70	100	16	23800	18300	4000	-	0.350
61915	1000915	75	105	16	24200	19300	6100	7200	0.370
61915 ZZ	1000915 ZZ	75	105	16	24200	19300	6100	7200	0.370
61915 2RS	1000915 2RS	75	105	16	24200	19300	3600	-	0.370
61916	1000916	80	110	16	25100	20400	5700	6700	0.400
61916 ZZ	1000916 ZZ	80	110	16	25100	20400	5700	6700	0.400
61916 2RS	1000916 2RS	80	110	16	25100	20400	3400	-	0.400
61917	1000917	85	120	18	32000	29600	5400	6300	0.517
61917 ZZ	1000917 ZZ	85	120	18	32000	29600	5400	6300	0.517
61917 2RS	1000917 2RS	85	120	18	32000	29600	2800	-	0.517
61918	1000918	90	125	18	33000	31500	5100	6000	0.590

ISO	GOST	Dimensions (mm)			Basic Load Rating (N)		Limiting speed (r/min)		Weight (kg)
		d	D	B	Dyn. C	Stat. C ₀	Lubrication		
							Grease	Oil	
61918 ZZ	1000918 ZZ	90	125	18	33000	31500	5100	6000	0.590
61918 2RS	1000918 2RS	90	125	18	33000	31500	2400	-	0.590
61919	1000919	95	130	18	33500	33500	4800	5700	0.680
61919 ZZ	1000919 ZZ	95	130	18	33500	33500	4800	5700	0.680
61920	1000920	100	140	20	42300	41500	4500	5300	0.830
61920 ZZ	1000920 ZZ	100	140	20	42300	41500	4500	5300	0.830
61922	1000920	110	150	20	43600	44500	4100	4800	0.900
61922 ZZ	1000920 ZZ	110	150	20	43600	44500	4100	4800	0.900
61924	1000924	120	165	22	53000	57000	3800	4400	1.200
61924 ZZ	1000924 ZZ	120	165	22	53000	57000	3800	4400	1.129
61926	1000926	130	180	24	65000	67000	3500	4100	1.600
61926 ZZ	1000926 ZZ	130	180	24	65000	67000	3500	4100	1.780
61928	1000928	140	190	24	66300	71000	3200	3800	1.700
61928 ZZ	1000928 ZZ	140	190	24	66300	71000	3200	3800	1.900
61930	1000930	150	210	28	85000	90500	3000	3500	2.470
61930 ZZ	1000930 ZZ	150	210	28	85000	90500	3000	3500	2.640
61932	1000932	160	220	28	87000	96000	2800	3300	2.610
61934	1000934	170	230	28	86000	95500	2600	3100	2.740
61936	1000936	180	250	33	110000	119000	2400	2900	4.760
61940	1000940	200	280	38	148000	166000	2200	2600	7.400
61944	1000944	220	300	38	151000	180000	2000	2300	8.000
61948	1000948	240	320	38	170000	203000	1800	2100	8.280
61952	1000952	260	360	46	212000	270000	1600	1900	14.500
61956	1000956	280	380	46	216000	285000	1500	1800	15.500
61960	1000960	300	420	56	276000	375000	1400	1600	23.500
61964	1000964	320	440	56	285000	405000	1300	1500	24.800
61968	1000968	340	460	56	293000	430000	1200	1400	26.200
61972	1000972	360	480	56	300000	455000	1100	1300	27.500
61976	1000976	380	520	65	325000	510000	1100	1200	39.800
61980	1000980	400	540	65	335000	535000	990	1200	41.600
61984	1000984	420	560	65	340000	560000	940	1100	43.400
61988	1000988	440	600	74	365000	615000	890	1000	60.000
61992	1000992	460	620	74	375000	645000	850	1000	62.200
61996	1000996	480	650	78	430000	770000	810	950	73.000



Subject	Symbol	Description
Seal type	ZZ	Metal shields on both sides.
	2RS	Rubber seals on both sides.
	Z	Metal shield on one side.
	RS	Rubber seal on one side.
Tolerances	P0	Normal tolerance level. Is not indicated as a standard.
	P6	Greater tolerance level than P0.
	P5	Greater tolerance level than P6.

Features

Miniature and small bearings are used for extremely high speeds. These bearings offer a low level of noise, vibration, and frictional torque performance.

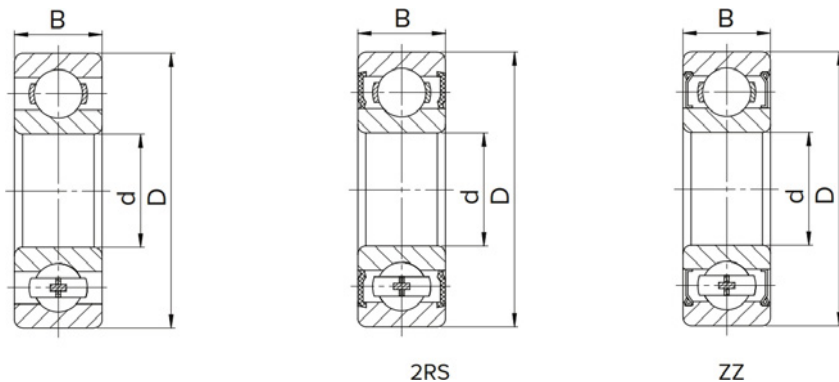
Miniature and extra-small ball bearings can be sealed by shields or rubber seals to prevent leakage of lubricating grease or entry of dust. Since the appropriate quantity of a high quality lubricating grease is factory sealed, the sealed miniature and extra-small ball bearings allows simplification of sealing devices around the bearing and facilitates easy handling.

Sealing and lubrication

The most popular sizes of miniature and small bearings are also produced in sealed versions. These bearings with Z and ZZ are greased using high quality grease, lubricated for life and suitable for high speeds. Bearings with the suffix RS or 2RS have lip seals on one or both sides made from nitrile butadiene rubber. CRAFT bearings grease is a low noise bearing grease which is thickened by lithium 12-hydroxy stearic, it is made from deeply refined mineral oil with rust and oxidation inhibitors through special technical process. Applied temperatures range -20 C - 120 C.

Cage

In general, a ribbon or crown type cage made of steel is used in miniature and small ball bearings. The ribbon type cage is used in relatively large bearing, while the crown type is used in smaller ones.



2RS

ZZ

ISO	GOST	Dimensions (mm)			Basic Load Rating (N)		Limiting speed (r/min)		Weight (kg)
		d	D	B	Dyn. C	Stat. C ₀	Lubrication		
							Grease	Oil	
617/2	1000072	2	4	1.2	171	51	74000	87000	0.00006
617/2 ZZ		2	4	2	171	51	74000	87000	0.00006
617/3	1000073	3	6	2	242	94	60000	71000	0.00020
617/3 ZZ		3	6	2.5	242	94	60000	71000	0.00020
617/3 2RS		3	6	2	242	94	60000	-	0.00020
617/4	1000074	4	7	2	269	117	54000	63000	0.00028
617/4 ZZ		4	7	2.5	269	117	54000	63000	0.00028
617/4 2RS		4	7	2	269	117	54000	-	0.00028
617/5	1000075	5	8	2	292	142	49000	57000	0.00032
617/5 ZZ		5	8	2	292	142	49000	57000	0.00032
617/5 2RS		5	8	2.5	292	142	49000	-	0.00032
617/6	1000076	6	10	2.5	530	240	43000	51000	0.00065
617/6 ZZ		6	10	3	530	240	43000	51000	0.00065
617/6 2RS		6	10	2.5	530	240	43000	-	0.00065
617/7	1000077	7	11	2.5	560	270	40000	47000	0.00067
617/7 ZZ		7	11	3	560	270	40000	47000	0.00067
617/7 2RS		7	11	2.5	560	270	40000	-	0.00067
617/8	1000078	8	12	2.5	575	298	38000	45000	0.00075
617/8 ZZ		8	12	3.5	575	298	38000	45000	0.00075
617/8 2RS		8	12	2.5	575	298	38000	45000	0.00075
617/9	1000079	9	14	3	920	465	36000	42000	0.00140
617/9 ZZ		9	14	4.5	920	465	36000	42000	0.00140
617/9 2RS		9	14	3	920	465	36000	-	0.00140
618/1	1000081	1	3	1	80	22	120000	140000	0.00005
618/1 ZZ		1	3	1.5	80	22	120000	140000	0.00005
618/1 2RS		1	3	1.5	80	22	120000	-	0.00005
618/2	1000082	2	5	1.5	171	51	74000	87000	0.00013
618/2 ZZ		2	5	1.5	171	51	74000	87000	0.00013
618/2 2RS		2	5	1.5	171	51	74000	-	0.00013
618/3	1000083	3	7	2	390	130	58000	68000	0.00031
618/3 ZZ		3	7	3	390	130	58000	68000	0.00031
618/3 2RS		3	7	3	390	130	58000	-	0.00031
618/4	1000084	4	9	2.5	540	180	49000	57000	0.00070
618/4 ZZ		4	9	4	540	180	49000	57000	0.00070
618/4 2RS		4	9	4	540	180	49000	-	0.00070
618/5	1000085	5	11	3	637	255	43000	51000	0.00120
618/5 ZZ		5	11	5	637	255	43000	51000	0.00120
618/5 2RS		5	11	5	637	255	43000	-	0.00120
618/6	1000086	6	13	3.5	884	345	39000	46000	0.00200
618/6 ZZ		6	13	5	884	345	39000	46000	0.00200
618/6 2RS		6	13	5	884	345	39000	-	0.00200
618/7	1000087	7	14	3.5	956	400	37000	44000	0.00220
618/7 ZZ		7	14	5	956	400	37000	44000	0.00220

ISO	GOST	Dimensions (mm)			Basic Load Rating (N)		Limiting speed (r/min)		Weight (kg)
		d	D	B	Dyn. C	Stat. C ₀	Lubrication		
							Grease	Oil	
618/7 2RS		7	14	3.5	956	400	37000	-	0.00220
618/8	1000088	8	16	4	1330	570	35000	41000	0.00300
618/8 ZZ		8	16	5	1330	570	35000	41000	0.00300
618/8 2RS		8	16	4	1330	570	35000	-	0.00300
618/9	1000089	9	17	4	1430	665	33000	39000	0.00340
618/9 ZZ		9	17	5	1430	665	33000	39000	0.00340
618/9 2RS		9	17	4	1430	665	33000	-	0.00340
619/1	1000091	1	4	1.6	157	43	96000	110000	0.00011
619/1 ZZ	1080091	1	4	2.3	157	43	96000	110000	0.00011
619/1 2RS		1	4	2.3	157	43	96000	-	0.00011
619/2	1000092	2	6	2.3	279	89	67000	79000	0.00031
619/2 ZZ	1080092	2	6	3	279	89	67000	79000	0.00031
619/2 2RS		2	6	3	279	89	67000	79000	0.00031
619/3	1000093	3	8	3	560	180	54000	63000	0.00059
619/3 ZZ	1080093	3	8	4	560	180	54000	63000	0.00059
619/3 2RS		3	8	4	560	180	54000	-	0.00059
619/4	1000094	4	11	4	715	276	45000	52000	0.00167
619/4 ZZ	1080094	4	11	4	715	276	45000	52000	0.00167
619/4 2RS		4	11	4	715	276	45000	-	0.00167
619/5	1000095	5	13	4	1080	430	40000	47000	0.00238
619/5 ZZ	1080095	5	13	4	1080	430	40000	47000	0.00238
619/5 2RS		5	13	4	1080	430	40000	-	0.00238
619/6	1000096	6	15	5	1350	530	37000	44000	0.00379
619/6 ZZ	1080096	6	15	5	1350	530	37000	44000	0.00379
619/6 2RS		6	15	5	1350	530	37000	-	0.00379
619/7	1000097	7	17	5	1610	715	35000	41000	0.00526
619/7 ZZ	1080097	7	17	5	1610	715	35000	41000	0.00526
619/7 2RS		7	17	5	1610	715	35000	-	0.00526
619/8	1000098	8	19	6	1990	865	33000	39000	0.00709
619/8 ZZ	1080098	8	19	6	1990	865	33000	39000	0.00709
619/8 2RS		8	19	6	1990	865	33000	-	0.00709
619/9	1000099	9	20	6	2480	1090	32000	38000	0.00845
619/9 ZZ	1080099	9	20	6	2480	1090	32000	38000	0.00845
619/9 2RS		9	20	6	2480	1090	32000	-	0.00845
602	12	2	7	2.8	380	125	62000	73000	0.00054
602 ZZ	80012	2	7	3.5	380	125	62000	73000	0.00054
602 2RS	180012	2	7	3.5	380	125	62000	-	0.00054
603	13	3	9	3	635	219	50000	59000	0.00092
603 ZZ	80013	3	9	5	635	219	50000	59000	0.00092
603 2RS	180013	3	9	5	635	219	50000	-	0.00092
604	14	4	12	4	970	360	43000	51000	0.00220
604 ZZ	80014	4	12	4	970	360	43000	51000	0.00220
604 2RS	180014	4	12	4	970	360	43000	-	0.00220
605	15	5	14	5	1330	510	39000	46000	0.00400
605 ZZ	80015	5	14	5	1330	510	39000	46000	0.00400
605 2RS	180015	5	14	5	1330	510	39000	-	0.00400
606	16	6	17	6	2190	865	35000	42000	0.00600
606 ZZ	80016	6	17	6	2190	865	35000	42000	0.00600
606 2RS	180016	6	17	6	2190	865	35000	-	0.00600
607	17	7	19	6	1720	620	34000	40000	0.007500
607 ZZ	80017	7	19	6	1720	620	34000	40000	0.007500
607 2RS	180017	7	19	6	1720	620	34000	-	0.007500
608	18	8	22	7	3250	1370	32000	37000	0.01200
608 ZZ	80018	8	22	7	3250	1370	32000	37000	0.01200
608 2RS	180018	8	22	7	3250	1370	32000	-	0.01200
609	19	9	24	7	3710	1660	31000	36000	0.01400
609 ZZ	80019	9	24	7	3710	1660	31000	36000	0.01400
609 2RS	180019	9	24	7	3710	1660	31000	-	0.01400
623	23	3	10	4	490	150	50000	58000	0.0014

ISO	GOST	Dimensions (mm)			Basic Load Rating (N)		Limiting speed (r/min)		Weight (kg)
							Lubrication		
		d	D	B	Dyn. C	Stat. C ₀	Grease	Oil	
623 ZZ	80023	3	10	4	490	150	50000	58000	0.0014
623 2RS	180023	3	10	4	490	150	50000	-	0.0014
624	24	4	13	5	980	305	42000	49000	0.0031
624 ZZ	80024	4	13	5	980	305	42000	49000	0.0031
624 2RS	180024	4	13	5	980	305	42000	-	0.0031
625	25	5	16	5	1110	380	37000	44000	0.0050
625 ZZ	80025	5	16	5	1110	380	37000	44000	0.0050
625 2RS	180025	5	16	5	1110	380	37000	-	0.0050
626	26	6	19	6	1720	620	34000	40000	0.0084
626 ZZ	80026	6	19	6	1720	620	34000	40000	0.0084
626 2RS	180026	6	19	6	1720	620	34000	-	0.0084
627	27	7	22	7	3250	1370	32000	37000	0.0130
627 ZZ	80026	7	22	7	3250	1370	32000	37000	0.0130
627 2RS	180026	7	22	7	3250	1370	32000	-	0.0130
628	28	8	24	8	4000	1590	31000	36000	0.0170
628 ZZ	80028	8	24	8	4000	1590	31000	36000	0.0170
628 2RS	180028	8	24	8	4000	1590	31000	-	0.0170
629	29	9	26	8	4620	1960	30000	35000	0.0200
629 ZZ	80029	9	26	8	4620	1960	30000	35000	0.0200
629 2RS	180029	9	26	8	4620	1960	30000	-	0.0200
634	34	4	16	5	1110	380	37000	44000	0.0054
634 ZZ	80034	4	16	5	1110	380	37000	44000	0.0054
634 2RS	180034	4	16	5	1110	380	37000	-	0.0054
635	35	5	19	6	1720	620	34000	40000	0.0090
635 2RS	80035	5	19	6	1720	620	34000	40000	0.0090
635 ZZ	180035	5	19	6	1720	620	34000	-	0.0090