

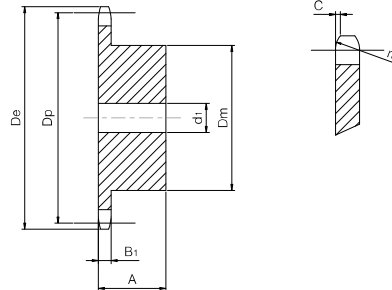
Simplex sprocket

for chain according to DIN 8187 - ISO/R 606



ISO 05B-1 Pitch 8 x 3 mm

SPROCKET	[mm]
Tooth radius r_3	8
Radius width C	1
Tooth width B_1	2,8
CHAIN	[mm]
Pitch	8
Internal width	3
Roller ϕ	5



Z	D_e [mm]	D_p [mm]	D_m [mm]	d_1 [mm]	A [mm]	W [kg]	Part number
8	24,00	20,90	13	6	12	0,01	QPS05B1-008
9	26,60	23,39	15	6	12	0,02	QPS05B1-009
10	29,20	25,89	17	8	12	0,02	QPS05B1-010
11	31,70	28,39	18	8	13	0,03	QPS05B1-011
12	34,20	30,91	20	8	13	0,04	QPS05B1-012
13	36,70	33,42	23	8	13	0,05	QPS05B1-013
14	39,20	35,95	25	8	13	0,05	QPS05B1-014
15	41,70	38,48	28	8	13	0,07	QPS05B1-015
16	44,30	41,01	30	8	14	0,08	QPS05B1-016
17	46,80	43,53	30	8	14	0,09	QPS05B1-017
18	49,30	46,07	30	8	14	0,09	QPS05B1-018
19	51,90	48,61	30	8	14	0,09	QPS05B1-019
20	54,40	51,14	30	8	14	0,10	QPS05B1-020
21	57,00	53,68	35	8	14	0,12	QPS05B1-021
22	59,50	56,21	35	8	14	0,13	QPS05B1-022
23	62,00	58,75	35	8	14	0,13	QPS05B1-023
24	64,60	61,29	35	8	14	0,14	QPS05B1-024
25	67,50	63,83	35	8	14	0,15	QPS05B1-025
26	69,50	66,37	40	10	16	0,19	QPS05B1-026
27	72,20	68,91	40	10	16	0,20	QPS05B1-027
28	74,80	71,45	40	10	16	0,20	QPS05B1-028
29	77,30	73,99	40	10	16	0,21	QPS05B1-029
30	79,80	76,53	40	10	16	0,22	QPS05B1-030
31	82,40	79,08	40	10	16	0,22	QPS05B1-031
32	84,90	81,61	40	10	16	0,22	QPS05B1-032
33	87,50	84,16	40	10	16	0,23	QPS05B1-033
34	90,00	86,70	40	10	16	0,24	QPS05B1-034
35	92,50	89,25	40	10	16	0,25	QPS05B1-035
36	95,00	91,79	40	10	16	0,25	QPS05B1-036
37	97,60	94,33	40	10	16	0,26	QPS05B1-037
38	100,20	96,88	40	10	16	0,27	QPS05B1-038
39	102,70	99,42	40	10	16	0,28	QPS05B1-039
40	105,30	101,97	40	10	16	0,29	QPS05B1-040
45	118,00	114,69	60	12	20	0,58	QPS05B1-045
50	130,70	127,41	60	12	20	0,75	QPS05B1-050
57	148,60	145,22	80	14	20	1,00	QPS05B1-057
76	197,70	193,59	80	20	25	1,94	QPS05B1-076

Material	Steel C45 (Fe360B with Z = 76)
D_e	External diameter
D_p	Pitch diameter
D_m	Hub diameter
W	Weight

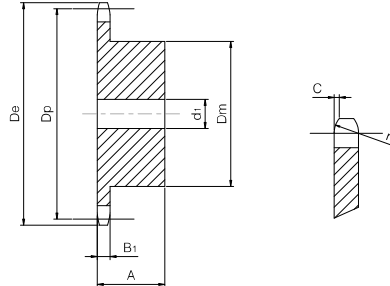
Simplex sprocket

for chain according to DIN 8187 - ISO/R 606

ISO 06B-1 Pitch 3/8" x 7/32"



SPROCKET	[mm]
Tooth radius r_3	10
Radius width C	1
Tooth width B_1	5,3
CHAIN	[mm]
Pitch	9,525
Internal width	5,72
Roller ϕ	6,35



Z	D _e [mm]	D _p [mm]	D _m [mm]	d ₁ [mm]	A [mm]	W [kg]	Part number
8	28,00	24,89	15	8	22	0,03	QPS06B1-008
9	31,00	27,85	18	8	22	0,04	QPS06B1-009
10	34,00	30,82	20	8	22	0,05	QPS06B1-010
11	37,00	33,80	22	8	25	0,08	QPS06B1-011
12	40,00	36,80	25	8	25	0,10	QPS06B1-012
13	43,00	39,79	28	10	25	0,13	QPS06B1-013
14	46,30	42,80	31	10	25	0,16	QPS06B1-014
15	49,30	45,81	34	10	25	0,19	QPS06B1-015
16	52,30	48,82	37	10	28	0,24	QPS06B1-016
17	55,30	51,83	40	10	28	0,28	QPS06B1-017
18	58,30	54,85	43	10	28	0,33	QPS06B1-018
19	61,30	57,87	45	10	28	0,36	QPS06B1-019
20	64,30	60,89	46	10	28	0,39	QPS06B1-020
21	68,00	63,91	48	12	28	0,42	QPS06B1-021
22	71,00	66,93	50	12	28	0,46	QPS06B1-022
23	73,50	69,95	52	12	28	0,50	QPS06B1-023
24	77,00	72,97	54	12	28	0,54	QPS06B1-024
25	80,00	76,02	57	12	28	0,60	QPS06B1-025
26	83,00	79,02	60	12	28	0,66	QPS06B1-026
27	86,00	82,02	60	12	28	0,67	QPS06B1-027
28	89,00	85,07	60	12	28	0,69	QPS06B1-028
29	92,00	88,09	60	12	28	0,70	QPS06B1-029
30	94,70	91,12	60	12	30	0,72	QPS06B1-030
31	98,30	94,15	65	14	30	0,87	QPS06B1-031
32	101,30	97,17	65	14	30	0,89	QPS06B1-032
33	104,30	100,20	65	14	30	0,91	QPS06B1-033
34	107,30	103,23	65	14	30	0,92	QPS06B1-034
35	110,40	106,26	65	14	30	0,95	QPS06B1-035
36	113,40	109,29	70	16	30	1,05	QPS06B1-036
37	116,40	112,32	70	16	30	1,09	QPS06B1-037
38	119,50	115,35	70	14	30	1,10	QPS06B1-038
39	122,50	118,37	70	16	30	1,12	QPS06B1-039
40	125,50	121,40	70	16	30	1,14	QPS06B1-040
45	140,70	136,55	*80	16	32	1,66	QPS06B1-045
50	155,70	151,69	*80	20	32	1,80	QPS06B1-050
57	176,90	172,91	*80	20	32	1,96	QPS06B1-057
76	234,90	230,49	*80	20	32	2,67	QPS06B1-076
95	292,50	288,08	*80	20	32	4,06	QPS06B1-095
114	349,50	345,68	*80	16	32	5,45	QPS06B1-114

Material	Steel C45 (Fe360B with Z ≥ 45)
D _e	External diameter
D _p	Pitch diameter
D _m	Hub diameter
W	Weight

* = possibility of receiving the sprocket with the hub welded on.

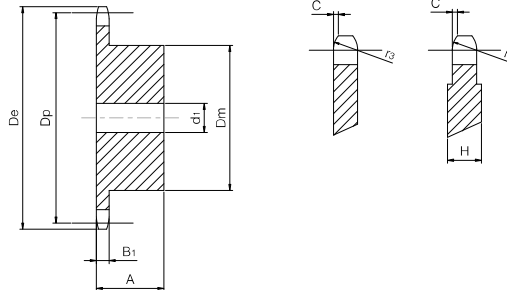
Simplex sprocket

for chain according to DIN 8187 - ISO/R 606



ISO 81-1 Pitch 1/2" x 1/8"

SPROCKET		[mm]
Tooth radius r_3	13	
Radius width C	1	
Tooth width B_1	3	
Length H (with $Z \geq 31$)	5	
CHAIN		[mm]
Pitch	12,7	
Internal width	3,3	
Roller \varnothing	7,75	



Z	D_e [mm]	D_p [mm]	D_m [mm]	d_1 [mm]	A [mm]	W [kg]	Part number
8	37,20	33,18	21	8	14	0,04	QPS81-1-008
9	41,50	37,13	25	8	14	0,06	QPS81-1-009
10	46,20	41,10	28	8	14	0,07	QPS81-1-010
11	49,60	45,07	31	8	16	0,10	QPS81-1-011
12	53,90	49,07	35	8	16	0,13	QPS81-1-012
13	58,40	53,06	39	8	16	0,16	QPS81-1-013
14	62,80	57,07	43	8	16	0,19	QPS81-1-014
15	66,80	61,09	47	8	16	0,23	QPS81-1-015
16	70,90	65,10	50	10	18	0,29	QPS81-1-016
17	74,90	69,11	50	10	18	0,30	QPS81-1-017
18	78,90	73,14	50	10	18	0,31	QPS81-1-018
19	82,90	77,16	50	10	18	0,32	QPS81-1-019
20	86,90	81,19	50	10	18	0,33	QPS81-1-020
21	91,00	85,22	60	12	20	0,48	QPS81-1-021
22	95,00	89,24	60	12	20	0,49	QPS81-1-022
23	99,00	93,27	60	12	20	0,51	QPS81-1-023
24	103,00	97,29	60	12	20	0,52	QPS81-1-024
25	107,10	101,33	60	12	20	0,53	QPS81-1-025
26	111,20	105,36	70	16	20	0,67	QPS81-1-026
27	115,40	109,40	70	16	20	0,69	QPS81-1-027
28	119,40	113,42	70	16	20	0,70	QPS81-1-028
29	123,40	117,46	70	16	20	0,72	QPS81-1-029
30	127,50	121,50	70	16	20	0,74	QPS81-1-030
31	131,50	125,54	70	16	20	0,76	QPS81-1-031
32	135,50	129,56	70	16	20	0,77	QPS81-1-032
33	139,60	133,60	70	16	20	0,79	QPS81-1-033
34	143,60	137,64	70	16	20	0,81	QPS81-1-034
35	147,60	141,68	70	16	20	0,83	QPS81-1-035
36	151,70	145,72	70	16	25	1,00	QPS81-1-036
37	155,70	149,76	70	16	25	1,02	QPS81-1-037
38	159,80	153,80	70	16	25	1,04	QPS81-1-038
39	163,80	157,83	70	16	25	1,06	QPS81-1-039
40	167,80	161,87	70	16	25	1,09	QPS81-1-040

Material	Steel C45
D_e	External diameter
D_p	Pitch diameter
D_m	Hub diameter
W	Weight

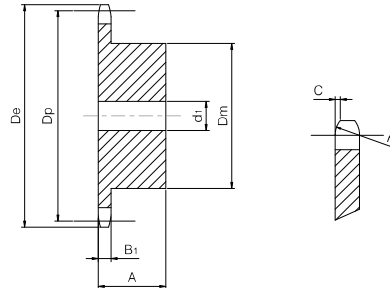
Simplex sprocket

for chain according to DIN 8187 - ISO/R 606



ISO 83-1 Pitch 1/2" x 3/16"

SPROCKET		[mm]
Tooth radius r_3	13	
Radius width C	1,3	
Tooth width B_1	4,5	
CHAIN		[mm]
Pitch	12,7	
Internal width	4,88	
Roller ϕ	7,75	



Z	D_e [mm]	D_p [mm]	D_m [mm]	d_1 [mm]	A [mm]	W [kg]	Part number
8	38,50	33,18	21	8	14	0,04	QPS83-1-008
9	41,50	37,13	25	8	14	0,06	QPS83-1-009
10	46,20	41,10	28	8	14	0,08	QPS83-1-010
11	49,60	45,07	31	8	16	0,11	QPS83-1-011
12	53,90	49,07	35	8	16	0,14	QPS83-1-012
13	58,40	53,06	39	8	16	0,17	QPS83-1-013
14	62,80	57,07	43	8	16	0,20	QPS83-1-014
15	66,80	61,09	47	8	16	0,24	QPS83-1-015
16	70,90	65,10	50	10	18	0,30	QPS83-1-016
17	74,90	69,11	50	10	18	0,31	QPS83-1-017
18	78,90	73,14	50	10	18	0,33	QPS83-1-018
19	82,90	77,16	50	10	18	0,34	QPS83-1-019
20	86,90	81,19	50	10	18	0,36	QPS83-1-020
21	91,00	85,22	60	12	20	0,51	QPS83-1-021
22	95,00	89,24	60	12	20	0,53	QPS83-1-022
23	99,00	93,27	60	12	20	0,55	QPS83-1-023
24	103,00	97,29	60	12	20	0,57	QPS83-1-024
25	107,10	101,33	60	12	20	0,59	QPS83-1-025
26	111,20	105,36	70	16	20	0,72	QPS83-1-026
27	115,40	109,40	70	16	20	0,74	QPS83-1-027
28	119,40	113,42	70	16	20	0,77	QPS83-1-028
29	123,40	117,46	70	16	20	0,79	QPS83-1-029
30	127,50	121,50	70	16	20	0,82	QPS83-1-030
31	131,50	125,54	70	16	20	0,85	QPS83-1-031
32	135,50	129,56	70	16	20	0,87	QPS83-1-032
33	139,60	133,60	70	16	20	0,90	QPS83-1-033
34	143,60	137,64	70	16	20	0,93	QPS83-1-034
35	147,60	141,68	70	16	20	0,96	QPS83-1-035
36	151,70	145,72	70	16	25	1,14	QPS83-1-036
37	155,70	149,76	70	16	25	1,17	QPS83-1-037
38	159,80	153,80	70	16	25	1,20	QPS83-1-038
39	163,80	157,83	70	16	25	1,24	QPS83-1-039
40	167,80	161,87	70	16	25	1,27	QPS83-1-040

Material	Steel C45
D_e	External diameter
D_p	Pitch diameter
D_m	Hub diameter
W	Weight

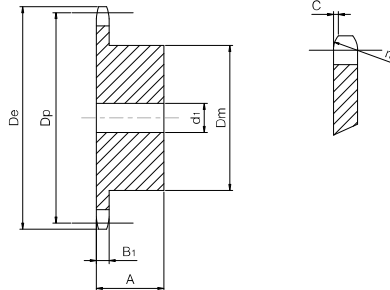
Simplex sprocket

for chain according to DIN 8187 - ISO/R 606



ISO 08B-1 Pitch 1/2" x 5/16"

SPROCKET	[mm]
Tooth radius r_3	13
Radius width C	1,3
Tooth width B_1	7,2
CHAIN	[mm]
Pitch	12,7
Internal width	7,75
Roller ϕ	8,51



Z	D_e [mm]	D_p [mm]	D_m [mm]	d_1 [mm]	A [mm]	W [kg]	Part number
8	37,00	33,18	20	10	25	0,06	QPS08B1-008
9	41,00	37,13	24	10	25	0,09	QPS08B1-009
10	45,20	41,10	26	10	25	0,12	QPS08B1-010
11	48,70	45,07	29	10	25	0,15	QPS08B1-011
12	53,00	49,07	33	10	28	0,21	QPS08B1-012
13	57,40	53,06	37	10	28	0,26	QPS08B1-013
14	61,80	57,07	41	10	28	0,32	QPS08B1-014
15	65,50	61,09	45	10	28	0,38	QPS08B1-015
16	69,50	65,10	50	12	28	0,46	QPS08B1-016
17	73,60	69,11	52	12	28	0,51	QPS08B1-017
18	77,80	73,14	56	12	28	0,59	QPS08B1-018
19	81,70	77,16	60	12	28	0,67	QPS08B1-019
20	85,80	81,19	64	12	28	0,76	QPS08B1-020
21	89,70	85,22	68	12	28	0,85	QPS08B1-021
22	93,80	89,24	70	12	28	0,91	QPS08B1-022
23	98,20	93,27	70	14	28	0,95	QPS08B1-023
24	101,80	97,29	70	14	28	0,98	QPS08B1-024
25	105,80	101,33	70	14	28	1,01	QPS08B1-025
26	110,00	105,36	70	16	30	1,09	QPS08B1-026
27	114,00	109,40	70	16	30	1,13	QPS08B1-027
28	118,00	113,42	70	16	30	1,17	QPS08B1-028
29	122,00	117,46	80	16	30	1,42	QPS08B1-029
30	126,10	121,50	80	16	30	1,46	QPS08B1-030
31	130,20	125,54	90	16	30	1,74	QPS08B1-031
32	134,30	129,56	90	16	30	1,78	QPS08B1-032
33	138,40	133,60	90	16	30	1,83	QPS08B1-033
34	142,60	137,64	90	16	30	1,88	QPS08B1-034
35	146,70	141,68	90	16	30	1,93	QPS08B1-035
36	151,00	145,72	90	16	35	2,22	QPS08B1-036
37	154,60	149,76	90	16	35	2,27	QPS08B1-037
38	158,60	153,80	90	16	35	2,32	QPS08B1-038
39	162,70	157,83	90	16	35	2,38	QPS08B1-039
40	166,80	161,87	90	16	35	2,43	QPS08B1-040
45	188,00	182,07	*90	16	40	3,00	QPS08B1-045
50	208,30	202,26	*90	16	40	3,40	QPS08B1-050
57	236,40	230,54	*90	16	40	3,85	QPS08B1-057
76	313,30	307,32	*90	16	40	5,56	QPS08B1-076
95	390,10	384,11	*90	16	40	8,56	QPS08B1-095
114	466,90	460,91	*90	16	40	11,56	QPS08B1-114

Material	Steel C45 (Fe360B with Z ≥ 45)
D_e	External diameter
D_p	Pitch diameter
D_m	Hub diameter
W	Weight

* = possibility of receiving the sprocket with the hub welded on.

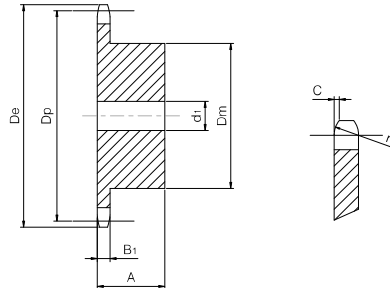
Simplex sprocket

for chain according to DIN 8187 - ISO/R 606

ISO 10B-1 Pitch 5/8" x 3/8"



SPROCKET	[mm]
Tooth radius r_3	16
Radius width C	1,6
Tooth width B_1	9,1
CHAIN	[mm]
Pitch	15,875
Internal width	9,65
Roller ϕ	10,16



Z	D _e [mm]	D _p [mm]	D _m [mm]	d ₁ [mm]	A [mm]	W [kg]	Part number
8	47,00	41,48	25	10	25	0,12	QPS10B1-008
9	52,60	46,42	30	10	25	0,16	QPS10B1-009
10	57,50	51,37	35	10	25	0,22	QPS10B1-010
11	63,00	56,34	37	12	30	0,29	QPS10B1-011
12	68,00	61,34	42	12	30	0,37	QPS10B1-012
13	73,00	66,32	47	12	30	0,46	QPS10B1-013
14	78,00	71,34	52	12	30	0,56	QPS10B1-014
15	83,00	76,36	57	12	30	0,67	QPS10B1-015
16	88,00	81,37	60	12	30	0,76	QPS10B1-016
17	93,00	86,39	60	12	30	0,88	QPS10B1-017
18	98,30	91,42	70	14	30	1,01	QPS10B1-018
19	103,30	96,45	70	14	30	1,15	QPS10B1-019
20	108,40	101,49	75	14	30	1,21	QPS10B1-020
21	113,40	106,52	75	16	30	1,35	QPS10B1-021
22	118,00	111,55	80	16	30	1,41	QPS10B1-022
23	123,50	116,58	80	16	30	1,47	QPS10B1-023
24	128,30	121,62	80	16	30	1,54	QPS10B1-024
25	134,00	126,66	80	16	30	1,60	QPS10B1-025
26	139,00	131,70	85	20	35	1,96	QPS10B1-026
27	144,00	136,75	85	20	35	2,04	QPS10B1-027
28	148,70	141,78	90	20	35	2,25	QPS10B1-028
29	153,80	146,83	90	20	35	2,33	QPS10B1-029
30	158,80	151,87	90	20	35	2,41	QPS10B1-030
31	163,90	156,92	95	20	35	2,64	QPS10B1-031
32	168,90	161,95	95	20	35	2,73	QPS10B1-032
33	174,50	167,00	95	20	35	2,82	QPS10B1-033
34	179,00	172,05	95	20	35	2,92	QPS10B1-034
35	184,10	177,10	95	20	35	3,01	QPS10B1-035
36	189,10	182,15	100	20	35	3,27	QPS10B1-036
37	194,20	187,20	100	20	35	3,37	QPS10B1-037
38	199,20	192,24	100	20	35	3,47	QPS10B1-038
39	204,20	197,29	100	20	35	3,58	QPS10B1-039
40	209,30	202,34	100	20	35	3,69	QPS10B1-040
45	235,00	227,58	*100	20	40	5,09	QPS10B1-045
50	260,30	252,82	*100	20	40	5,80	QPS10B1-050
57	296,00	288,18	*100	20	40	6,66	QPS10B1-057
76	392,10	384,15	*100	20	50	10,28	QPS10B1-076
95	488,50	480,14	*100	20	50	16,36	QPS10B1-095
114	584,10	576,13	*100	20	50	22,44	QPS10B1-114

Material	Steel C45 (Fe360B with Z ≥ 45)
D _e	External diameter
D _p	Pitch diameter
D _m	Hub diameter
W	Weight

* = possibility of receiving the sprocket with the hub welded on.

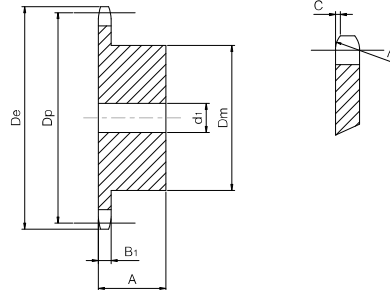
Simplex sprocket

for chain according to DIN 8187 - ISO/R 606

ISO 12B-1 Pitch 3/4" x 7/16"



SPROCKET	[mm]
Tooth radius r_3	19
Radius width C	2
Tooth width B_1	11,1
CHAIN	[mm]
Pitch	19,05
Internal width	11,68
Roller ϕ	12,07



Z	D _e [mm]	D _p [mm]	D _m [mm]	d ₁ [mm]	A [mm]	W [kg]	Part number
8	57,30	49,78	31	12	30	0,21	QPS12B1-008
9	62,00	55,70	37	12	30	0,29	QPS12B1-009
10	69,00	61,64	42	12	30	0,38	QPS12B1-010
11	75,00	67,61	46	14	35	0,51	QPS12B1-011
12	81,50	73,60	52	14	35	0,65	QPS12B1-012
13	87,50	79,59	58	14	35	0,80	QPS12B1-013
14	93,60	85,61	64	14	35	0,97	QPS12B1-014
15	99,80	91,63	70	14	35	1,16	QPS12B1-015
16	105,50	97,65	75	16	35	1,34	QPS12B1-016
17	111,50	103,67	80	16	35	1,53	QPS12B1-017
18	118,00	109,71	80	16	35	1,62	QPS12B1-018
19	124,20	115,75	80	16	35	1,70	QPS12B1-019
20	129,70	121,78	80	16	35	1,80	QPS12B1-020
21	136,00	127,82	90	20	40	2,35	QPS12B1-021
22	141,00	133,86	90	20	40	2,46	QPS12B1-022
23	149,00	139,90	90	20	40	2,56	QPS12B1-023
24	153,90	145,94	90	20	40	2,68	QPS12B1-024
25	160,00	152,00	90	20	40	2,80	QPS12B1-025
26	165,90	158,04	95	20	40	3,08	QPS12B1-026
27	172,30	164,09	95	20	40	3,21	QPS12B1-027
28	178,00	170,13	95	20	40	3,34	QPS12B1-028
29	184,10	176,19	95	20	40	3,48	QPS12B1-029
30	190,50	182,25	95	20	40	3,63	QPS12B1-030
31	196,30	188,31	100	20	40	3,78	QPS12B1-031
32	203,30	194,35	100	20	40	3,93	QPS12B1-032
33	209,30	200,40	100	20	40	4,09	QPS12B1-033
34	214,60	206,46	100	20	40	4,25	QPS12B1-034
35	221,00	212,52	100	20	40	4,42	QPS12B1-035
36	226,80	218,58	100	20	40	4,71	QPS12B1-036
37	232,90	224,64	100	20	40	4,89	QPS12B1-037
38	239,00	230,69	100	20	40	5,07	QPS12B1-038
39	245,10	236,75	100	20	40	5,26	QPS12B1-039
40	251,30	242,81	100	20	40	5,46	QPS12B1-040
45	282,50	273,09	*110	20	56	8,85	QPS12B1-045
50	312,30	303,39	*110	20	56	10,00	QPS12B1-050
57	355,40	345,81	*110	20	56	11,85	QPS12B1-057
76	469,90	460,98	*110	20	56	18,02	QPS12B1-076
95	585,10	576,17	*110	20	56	27,45	QPS12B1-095
114	700,60	691,36	*110	20	56	36,88	QPS12B1-114

Material	Steel C45 (Fe360B with Z ≥ 45)
D _e	External diameter
D _p	Pitch diameter
D _m	Hub diameter
W	Weight

* = possibility of receiving the sprocket with the hub welded on.

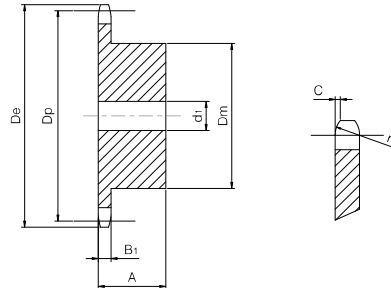
Simplex sprocket

for chain according to DIN 8187 - ISO/R 606

ISO 16B-1 Pitch 1" x 17,02 mm



SPROCKET	[mm]
Tooth radius r_3	26
Radius width C	2,5
Tooth width B_1	16,2
CHAIN	[mm]
Pitch	25,4
Internal width	17,02
Roller ϕ	15,88



Z	D_e [mm]	D_p [mm]	D_m [mm]	d_1 [mm]	A [mm]	W [kg]	Part number
8	77,00	66,37	42	16	35	0,47	QPS16B1-008
9	85,00	74,27	50	16	35	0,66	QPS16B1-009
10	93,00	82,19	55	16	35	0,83	QPS16B1-010
11	101,50	90,14	61	16	40	1,14	QPS16B1-011
12	109,00	98,14	69	16	40	1,43	QPS16B1-012
13	117,00	106,12	78	16	40	1,77	QPS16B1-013
14	125,00	114,15	84	16	40	2,08	QPS16B1-014
15	133,00	122,17	92	16	40	2,46	QPS16B1-015
16	141,00	130,20	100	20	45	3,14	QPS16B1-016
17	149,00	138,22	100	20	45	3,33	QPS16B1-017
18	157,00	146,28	100	20	45	3,56	QPS16B1-018
19	165,20	154,33	100	20	45	3,78	QPS16B1-019
20	173,20	162,38	100	20	45	4,03	QPS16B1-020
21	181,20	170,43	110	20	50	5,01	QPS16B1-021
22	189,30	178,48	110	20	50	5,28	QPS16B1-022
23	197,50	186,53	110	20	50	5,56	QPS16B1-023
24	205,50	194,59	110	20	50	5,86	QPS16B1-024
25	213,50	202,66	110	20	50	6,16	QPS16B1-025
26	221,60	210,72	120	20	50	6,96	QPS16B1-026
27	229,60	218,79	120	20	50	7,30	QPS16B1-027
28	237,70	226,85	120	20	50	7,64	QPS16B1-028
29	245,80	234,92	120	20	50	8,00	QPS16B1-029
30	254,00	243,00	120	20	50	8,38	QPS16B1-030
31	262,00	251,08	*120	25	50	8,69	QPS16B1-031
32	270,00	259,13	*120	25	50	9,09	QPS16B1-032
33	278,50	267,21	*120	25	50	9,50	QPS16B1-033
34	287,00	275,28	*120	25	50	9,93	QPS16B1-034
35	296,20	283,36	*120	25	50	10,36	QPS16B1-035
36	304,60	291,44	*120	25	50	10,81	QPS16B1-036
37	312,60	299,51	*120	25	50	11,28	QPS16B1-037
38	320,70	307,59	*120	25	50	11,76	QPS16B1-038
39	328,80	315,67	*120	25	50	12,25	QPS16B1-039
40	336,90	323,75	*120	25	50	12,75	QPS16B1-040
45	377,10	364,12	*125	25	70	18,15	QPS16B1-045
50	417,40	404,52	*125	25	70	25,00	QPS16B1-050
57	474,00	461,08	*125	25	70	25,52	QPS16B1-057
76	627,00	614,64	*140	25	80	42,97	QPS16B1-076
95	781,10	768,22	*140	25	80	63,92	QPS16B1-095
114	934,30	921,81	*140	25	80	84,87	QPS16B1-114

Material	Steel C45 (Fe360B with Z ≥ 31)
D_e	External diameter
D_p	Pitch diameter
D_m	Hub diameter
W	Weight

* = possibility of receiving the sprocket with the hub welded on.

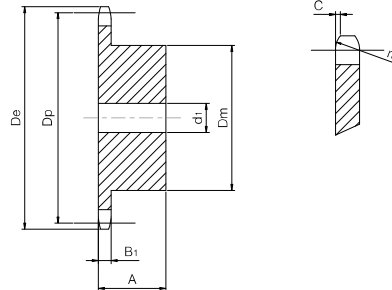
Simplex sprocket

for chain according to DIN 8187 - ISO/R 606

ISO 20B-1 Pitch 1"1/4 x 3/4"



SPROCKET	[mm]
Tooth radius r_3	32
Radius width C	3,5
Tooth width B_1	18,5
CHAIN	[mm]
Pitch	31,75
Internal width	19,56
Roller ϕ	19,05



Z	De [mm]	Dp [mm]	Dm [mm]	d1 [mm]	A [mm]	W [kg]	Part number
8	98,10	82,96	53	20	40	0,85	QPS20B1-008
9	108,00	92,84	63	20	40	1,19	QPS20B1-009
10	117,90	102,74	70	20	40	1,51	QPS20B1-010
11	127,80	112,68	77	20	45	2,04	QPS20B1-011
12	137,80	122,68	88	20	45	2,58	QPS20B1-012
13	147,80	132,65	98	20	45	3,15	QPS20B1-013
14	157,80	142,68	108	20	45	3,78	QPS20B1-014
15	167,90	152,72	118	20	45	4,47	QPS20B1-015
16	177,90	162,75	120	25	50	5,25	QPS20B1-016
17	187,90	172,78	120	25	50	5,61	QPS20B1-017
18	198,00	182,85	120	25	50	6,00	QPS20B1-018
19	208,10	192,91	120	25	50	6,40	QPS20B1-019
20	218,10	202,98	120	25	50	6,84	QPS20B1-020
21	228,20	213,04	140	25	55	8,79	QPS20B1-021
22	238,30	223,11	140	25	55	9,27	QPS20B1-022
23	248,30	233,17	140	25	55	9,77	QPS20B1-023
24	258,40	243,23	140	25	55	10,30	QPS20B1-024
25	268,50	253,33	140	25	55	10,85	QPS20B1-025
26	278,60	263,40	*150	25	55	12,07	QPS20B1-026
27	288,60	273,49	*150	25	55	12,67	QPS20B1-027
28	298,70	283,56	*150	25	55	13,29	QPS20B1-028
29	308,80	293,65	*150	25	55	13,93	QPS20B1-029
30	318,90	303,75	*150	25	55	14,60	QPS20B1-030
31	329,00	313,85	*150	25	55	15,28	QPS20B1-031
32	339,10	323,91	*150	25	55	16,00	QPS20B1-032
33	349,20	334,01	*150	25	55	16,73	QPS20B1-033
34	359,30	344,10	*150	25	55	17,49	QPS20B1-034
35	369,40	354,20	*150	25	55	18,27	QPS20B1-035
36	379,50	364,30	*150	25	55	19,08	QPS20B1-036
37	389,50	374,39	*150	25	55	19,91	QPS20B1-037
38	399,60	384,49	*150	25	55	20,76	QPS20B1-038
39	409,70	394,59	150	25	55	21,73	QPS20B1-039
40	419,80	404,69	*150	25	55	22,53	QPS20B1-040
45	470,30	455,17	*150	25	70	31,79	QPS20B1-045
50	520,80	505,65	*150	25	70	39,00	QPS20B1-050
57	591,50	576,35	*150	25	80	45,79	QPS20B1-057
76	783,50	768,32	*150	25	80	75,81	QPS20B1-076

Material	Steel C45 (Fe360B with Z ≥ 26)
De	External diameter
Dp	Pitch diameter
Dm	Hub diameter
W	Weight

* = possibility of receiving the sprocket with the hub welded on.

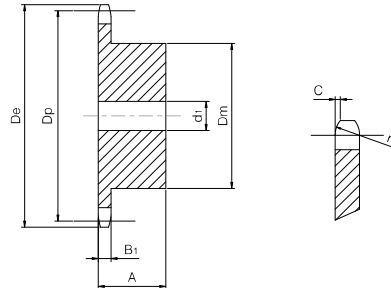
Simplex sprocket

for chain according to DIN 8187 - ISO/R 606

ISO 24B-1 Pitch 1"1/2 x 1"



SPROCKET	[mm]
Tooth radius r_3	38
Radius width C	4
Tooth width B_1	24,1
CHAIN	[mm]
Pitch	38,1
Internal width	25,4
Roller ϕ	25,4



Z	D _e [mm]	D _p [mm]	D _m [mm]	d ₁ [mm]	A [mm]	W [kg]	Part number
8	115,00	99,55	58	20	45	1,38	QPS24B1-008
9	126,40	111,40	70	20	45	1,90	QPS24B1-009
10	138,00	123,29	80	20	45	2,47	QPS24B1-010
11	150,00	135,21	90	25	50	3,27	QPS24B1-011
12	162,00	147,22	102	25	50	4,09	QPS24B1-012
13	174,20	159,18	114	25	50	5,00	QPS24B1-013
14	186,20	171,22	128	25	50	6,09	QPS24B1-014
15	198,20	183,26	140	25	50	6,84	QPS24B1-015
16	210,30	195,30	*140	25	55	8,20	QPS24B1-016
17	222,30	207,34	*140	25	55	8,87	QPS24B1-017
18	234,30	219,42	*140	25	55	9,59	QPS24B1-018
19	246,50	231,49	*140	25	55	10,36	QPS24B1-019
20	258,60	243,57	*140	25	55	11,16	QPS24B1-020
21	270,60	255,65	*150	25	60	13,35	QPS24B1-021
22	282,70	267,73	*150	25	60	14,24	QPS24B1-022
23	294,80	279,80	*150	25	60	15,18	QPS24B1-023
24	306,80	291,88	*150	25	60	16,16	QPS24B1-024
25	319,00	304,00	*150	25	60	17,19	QPS24B1-025
26	331,00	316,08	*160	30	60	18,25	QPS24B1-026
27	343,20	328,19	*160	30	60	19,37	QPS24B1-027
28	355,20	340,27	*160	30	60	20,52	QPS24B1-028
29	367,30	352,38	*160	30	60	21,72	QPS24B1-029
30	379,50	364,50	*160	30	60	22,97	QPS24B1-030
31	391,60	376,62	*160	30	60	24,25	QPS24B1-031
32	403,70	388,69	*160	30	60	25,59	QPS24B1-032
33	415,80	400,81	*160	30	60	26,96	QPS24B1-033
34	427,80	412,93	*160	30	60	28,38	QPS24B1-034
35	440,00	425,04	*160	30	60	29,84	QPS24B1-035
36	452,00	437,16	*160	30	60	31,34	QPS24B1-036
37	464,20	449,27	*160	30	60	32,90	QPS24B1-037
38	476,20	461,39	*160	30	60	34,49	QPS24B1-038
39	488,50	473,50	*160	30	60	36,15	QPS24B1-039
40	500,60	485,62	*160	30	60	37,81	QPS24B1-040
45	561,20	546,19	*160	30	90	54,08	QPS24B1-045
50	621,70	606,78	*160	30	90	67,00	QPS24B1-050
57	706,50	691,63	*170	30	100	80,28	QPS24B1-057

Material	Steel C45 (Fe360B with Z ≥ 16)
D _e	External diameter
D _p	Pitch diameter
D _m	Hub diameter
W	Weight

* = possibility of receiving the sprocket with the hub welded on.

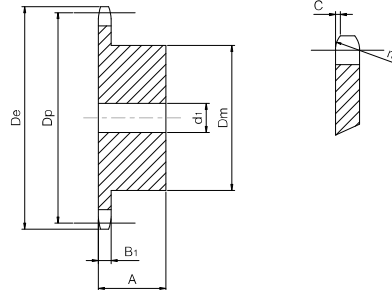
Simplex sprocket

for chain according to DIN 8187 - ISO/R 606



ISO 28B-1 Pitch 1"3/4 x 1"1/4

SPROCKET		[mm]
Tooth radius r_3	44	
Radius width C	5	
Tooth width B_1	29,4	
CHAIN		[mm]
Pitch	44,45	
Internal width	30,99	
Roller ϕ	27,94	



Z	D_e [mm]	D_p [mm]	D_m [mm]	d_1 [mm]	A [mm]	W [kg]	Part number
8	132,00	116,15	74	25	70	2,86	QPS28B1-008
9	148,40	129,96	88	25	70	4,00	QPS28B1-009
10	162,30	143,85	100	25	70	5,18	QPS28B1-010
11	176,30	157,77	112	25	70	6,51	QPS28B1-011
12	189,50	171,74	125	25	70	8,04	QPS28B1-012
13	204,20	185,74	*125	25	70	8,88	QPS28B1-013
14	218,20	199,76	*125	25	70	9,79	QPS28B1-014
15	232,30	213,79	*125	25	70	10,77	QPS28B1-015
16	246,30	227,84	*160	30	75	14,96	QPS28B1-016
17	260,00	241,91	*160	30	75	16,09	QPS28B1-017
18	274,00	255,98	*160	30	75	17,28	QPS28B1-018
19	289,00	270,06	*160	30	75	18,56	QPS28B1-019
20	303,00	284,15	*160	30	75	19,90	QPS28B1-020
21	317,00	298,24	*160	30	75	21,31	QPS28B1-021
22	331,00	312,34	*160	30	75	22,80	QPS28B1-022
23	345,00	326,44	*160	30	75	24,36	QPS28B1-023
24	359,00	340,55	*160	30	75	26,00	QPS28B1-024
25	373,00	354,66	*160	30	75	27,70	QPS28B1-025
26	387,00	368,77	*160	30	75	29,48	QPS28B1-026
27	401,40	382,88	*160	30	75	31,36	QPS28B1-027
28	416,00	397,00	*160	30	75	33,26	QPS28B1-028
29	430,00	411,12	*160	30	75	35,30	QPS28B1-029
30	444,00	425,24	*160	30	75	37,33	QPS28B1-030
31	458,00	439,37	*180	30	75	40,46	QPS28B1-031
32	472,00	453,49	*180	30	75	43,59	QPS28B1-032
33	486,00	467,62	*180	30	75	45,92	QPS28B1-033
34	500,00	481,75	*180	30	75	48,24	QPS28B1-034
35	514,00	495,88	*180	30	75	50,57	QPS28B1-035
36	529,00	510,01	*180	30	75	53,18	QPS28B1-036
37	543,00	524,14	*180	30	75	55,79	QPS28B1-037
38	557,00	538,27	*180	30	75	58,40	QPS28B1-038
39	571,00	552,40	*180	30	75	61,16	QPS28B1-039
40	585,00	566,54	*180	30	75	63,92	QPS28B1-040

Material	Steel C45 (Fe360B with Z ≥ 13)
D_e	External diameter
D_p	Pitch diameter
D_m	Hub diameter
W	Weight

* = possibility of receiving the sprocket with the hub welded on.

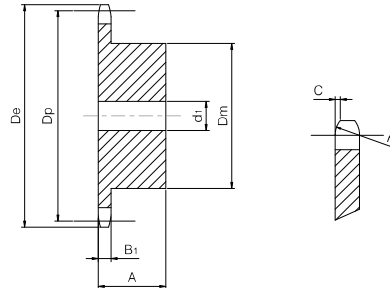
Simplex sprocket

for chain according to DIN 8187 - ISO/R 606



ISO 32B-1 Pitch 2" x 1"1/4

SPROCKET	[mm]
Tooth radius r_3	51
Radius width C	6
Tooth width B_1	29,4
CHAIN	[mm]
Pitch	50,8
Internal width	30,99
Roller ϕ	29,21



Z	D_e [mm]	D_p [mm]	D_m [mm]	d_1 [mm]	A [mm]	W [kg]	Part number
8	153,00	132,69	82	25	80	4,20	QPS32B1-008
9	169,00	148,54	88	25	80	5,78	QPS32B1-009
10	185,00	164,44	104	25	80	7,60	QPS32B1-010
11	200,80	180,34	120	30	80	9,26	QPS32B1-011
12	216,80	196,29	*133	30	80	10,91	QPS32B1-012
13	232,80	212,29	*145	30	80	13,05	QPS32B1-013
14	248,80	228,29	*145	30	80	14,25	QPS32B1-014
15	264,80	244,30	*145	30	80	15,53	QPS32B1-015
16	280,90	260,40	*160	30	90	19,87	QPS32B1-016
17	296,90	276,40	*160	30	90	21,35	QPS32B1-017
18	313,00	292,55	*160	30	90	22,92	QPS32B1-018
19	329,10	308,66	*160	30	90	24,53	QPS32B1-019
20	345,20	324,71	*180	30	90	28,50	QPS32B1-020
21	361,30	340,82	*180	30	90	30,36	QPS32B1-021
22	377,50	356,98	*180	30	90	32,31	QPS32B1-022
23	393,60	373,08	*180	30	90	34,36	QPS32B1-023
24	409,70	389,18	*180	30	90	36,50	QPS32B1-024
25	425,80	405,33	*180	30	90	38,74	QPS32B1-025
26	441,90	421,44	*180	30	90	41,07	QPS32B1-026
27	458,10	437,59	*180	30	90	43,54	QPS32B1-027
28	474,20	453,69	*180	30	90	46,01	QPS32B1-028
29	490,40	469,90	*180	30	90	48,68	QPS32B1-029
30	506,50	486,00	*180	30	90	51,34	QPS32B1-030
32	538,80	518,26	*180	30	90	59,89	QPS32B1-032
35	589,50	566,72	*180	30	90	69,16	QPS32B1-035
38	635,50	615,14	*180	30	90	79,28	QPS32B1-038
40	670,30	647,49	*180	30	90	86,50	QPS32B1-040

Material	Steel C45 (Fe360B with Z ≥ 12)
D_e	External diameter
D_p	Pitch diameter
D_m	Hub diameter
W	Weight

* = possibility of receiving the sprocket with the hub welded on.

ES ELITESYSTEM® DUPLEX SPROCKETS

Duplex sprocket

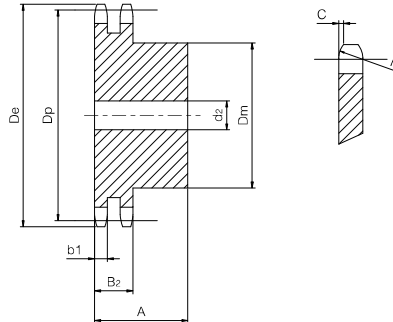
for chain according to DIN 8187 - ISO/R 606

ISO 05B-2

Pitch 8 x 3 mm



SPROCKET	[mm]
Tooth radius r_3	8
Radius width C	1
Tooth width b_1	2,7
Tooth width B_2	8,3
CHAIN	[mm]
Pitch	8
Internal width	3
Roller ϕ	5



Z	D _e [mm]	D _p [mm]	D _m [mm]	d ₂ [mm]	A [mm]	W [kg]	Part number
8	24,00	20,90	12	8	18	0,02	QPD05B2-008
9	26,60	23,39	15	8	18	0,03	QPD05B2-009
10	29,20	25,89	17	8	18	0,03	QPD05B2-010
11	31,70	28,39	19	8	18	0,04	QPD05B2-011
12	34,20	30,91	21	8	18	0,05	QPD05B2-012
13	36,70	33,42	24	8	18	0,07	QPD05B2-013
14	39,20	35,95	26	8	18	0,08	QPD05B2-014
15	41,70	38,48	29	8	18	0,10	QPD05B2-015
16	44,30	41,01	32	10	20	0,13	QPD05B2-016
17	46,80	43,53	34	10	20	0,15	QPD05B2-017
18	49,30	46,07	37	0	20	0,17	QPD05B2-018
19	51,90	48,61	39	10	20	0,20	QPD05B2-019
20	54,40	51,14	40	10	20	0,21	QPD05B2-020
21	57,00	53,68	40	10	20	0,25	QPD05B2-021
22	59,50	56,21	40	10	20	0,26	QPD05B2-022
23	62,00	58,75	40	10	20	0,28	QPD05B2-023
24	64,60	61,29	40	10	20	0,23	QPD05B2-024
25	67,50	63,83	40	10	20	0,31	QPD05B2-025
26	69,50	66,37	50	12	22	0,38	QPD05B2-026
27	72,20	68,91	50	12	22	0,40	QPD05B2-027
28	74,80	71,45	50	12	22	0,42	QPD05B2-028
29	77,30	73,99	50	12	22	0,44	QPD05B2-029
30	79,80	76,53	50	12	22	0,45	QPD05B2-030
31	82,40	79,08	60	12	22	0,52	QPD05B2-031
32	84,90	81,61	60	12	22	0,59	QPD05B2-032
33	87,50	84,16	60	12	22	0,61	QPD05B2-033
34	90,00	86,70	60	12	22	0,63	QPD05B2-034
35	92,50	89,25	60	12	22	0,65	QPD05B2-035
36	95,00	91,79	60	12	22	0,67	QPD05B2-036
37	97,60	94,33	60	12	22	0,69	QPD05B2-037
38	100,20	96,88	60	12	22	0,72	QPD05B2-038
39	102,70	99,42	60	12	22	0,75	QPD05B2-039
40	105,30	101,97	60	12	22	0,77	QPD05B2-040

Material	Steel C45
D _e	External diameter
D _p	Pitch diameter
D _m	Hub diameter
W	Weight

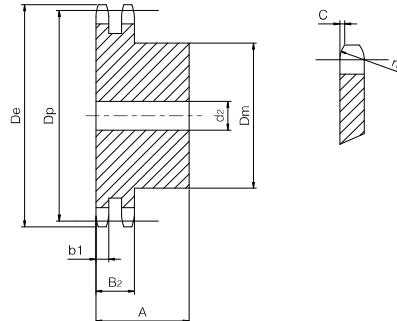
Duplex sprocket

for chain according to DIN 8187 - ISO/R 606

ISO 06B-2 Pitch 3/8" x 7/32"



SPROCKET	[mm]
Tooth radius r_3	10
Radius width C	1
Tooth width b_1	5,2
Tooth width B_2	15,4
CHAIN	[mm]
Pitch	9,525
Internal width	5,72
Roller \varnothing	6,35



Z	De [mm]	Dp [mm]	Dm [mm]	d2 [mm]	A [mm]	W [kg]	Part number
8	28,00	24,89	15	8	22	0,04	QPD06B2-008
9	31,00	27,85	18	8	22	0,05	QPD06B2-009
10	34,00	30,82	20	8	22	0,07	QPD06B2-010
11	37,00	33,80	22	10	25	0,10	QPD06B2-011
12	40,00	36,80	25	10	25	0,13	QPD06B2-012
13	43,00	39,79	28	10	25	0,16	QPD06B2-013
14	46,30	42,80	31	10	25	0,20	QPD06B2-014
15	49,30	45,81	34	10	25	0,24	QPD06B2-015
16	52,30	48,82	37	12	30	0,27	QPD06B2-016
17	55,30	51,83	40	12	30	0,32	QPD06B2-017
18	58,30	54,85	43	12	30	0,38	QPD06B2-018
19	61,30	57,87	46	12	30	0,42	QPD06B2-019
20	64,30	60,89	49	12	30	0,48	QPD06B2-020
21	68,00	63,91	52	12	30	0,52	QPD06B2-021
22	71,00	66,93	55	12	30	0,58	QPD06B2-022
23	73,50	69,95	58	12	30	0,64	QPD06B2-023
24	77,00	72,97	61	12	30	0,71	QPD06B2-024
25	80,00	76,02	64	12	30	0,79	QPD06B2-025
26	83,00	79,02	67	12	30	0,87	QPD06B2-026
27	86,00	82,02	70	12	30	0,94	QPD06B2-027
28	89,00	85,07	73	12	30	1,03	QPD06B2-028
29	92,00	88,09	76	12	30	1,11	QPD06B2-029
30	94,70	91,12	79	12	30	1,20	QPD06B2-030
31	98,30	94,15	80	16	30	1,27	QPD06B2-031
32	101,30	97,17	80	16	30	1,32	QPD06B2-032
33	104,30	100,20	80	16	30	1,37	QPD06B2-033
34	107,30	103,23	80	16	30	1,43	QPD06B2-034
35	110,40	106,26	80	16	30	1,49	QPD06B2-035
36	113,40	109,29	90	16	30	1,70	QPD06B2-036
37	116,40	112,32	90	16	30	1,76	QPD06B2-037
38	119,50	115,35	90	16	30	1,81	QPD06B2-038
39	122,50	118,37	90	16	30	1,88	QPD06B2-039
40	125,50	121,40	90	16	30	1,95	QPD06B2-040
45	140,70	136,55	*90	16	40	3,15	QPD06B2-045
50	155,70	151,69	*90	16	40	3,50	QPD06B2-050
57	176,90	172,91	*90	16	40	4,16	QPD06B2-057
76	234,90	230,49	*90	16	40	6,23	QPD06B2-076
95	292,50	288,08	*90	16	40	9,76	QPD06B2-095
114	349,50	345,68	*90	16	40	13,29	QPD06B2-114

Material	Steel C45 (Fe360B with Z ≥ 45)
De	External diameter
Dp	Pitch diameter
Dm	Hub diameter
W	Weight

* = possibility of receiving the sprocket with the hub welded on.

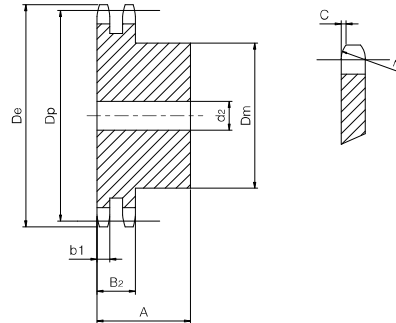
Duplex sprocket

for chain according to DIN 8187 - ISO/R 606

ISO 08B-2 Pitch 1/2" x 5/16"



SPROCKET	[mm]
Tooth radius r_3	13
Radius width C	1,3
Tooth width b_1	7
Tooth width B_2	21
CHAIN	[mm]
Pitch	12,7
Internal width	7,75
Roller \varnothing	8,51



Z	De [mm]	Dp [mm]	Dm [mm]	d2 [mm]	A [mm]	W [kg]	Part number
8	37,00	33,18	20	10	32	0,09	QPD08B2-008
9	41,00	37,13	24	10	32	0,13	QPD08B2-009
10	45,20	41,10	28	10	32	0,18	QPD08B2-010
11	48,70	45,07	32	12	35	0,24	QPD08B2-011
12	53,00	49,07	35	12	35	0,30	QPD08B2-012
13	57,40	53,06	38	12	35	0,36	QPD08B2-013
14	61,80	57,07	42	12	35	0,44	QPD08B2-014
15	65,50	61,09	46	12	35	0,52	QPD08B2-015
16	69,50	65,10	50	14	35	0,63	QPD08B2-016
17	73,60	69,11	54	14	35	0,73	QPD08B2-017
18	77,80	73,14	58	14	35	0,85	QPD08B2-018
19	81,70	77,16	62	14	35	0,97	QPD08B2-019
20	85,80	81,19	66	14	35	1,10	QPD08B2-020
21	89,70	85,22	70	16	40	1,29	QPD08B2-021
22	93,80	89,24	70	16	40	1,37	QPD08B2-022
23	98,20	93,27	70	16	40	1,46	QPD08B2-023
24	101,80	97,29	75	16	40	1,64	QPD08B2-024
25	105,80	101,33	80	16	40	1,82	QPD08B2-025
26	110,00	105,36	85	16	40	2,02	QPD08B2-026
27	114,00	109,40	85	16	40	2,12	QPD08B2-027
28	118,00	113,42	90	20	40	2,34	QPD08B2-028
29	122,00	117,46	95	16	40	2,56	QPD08B2-029
30	126,10	121,50	100	16	40	2,79	QPD08B2-030
31	130,20	125,54	100	20	40	2,87	QPD08B2-031
32	134,30	129,56	100	20	40	3,00	QPD08B2-032
33	138,40	133,60	100	20	40	3,13	QPD08B2-033
34	142,60	137,64	100	20	40	3,26	QPD08B2-034
35	146,70	141,68	100	20	40	3,40	QPD08B2-035
36	151,00	145,72	100	20	40	3,54	QPD08B2-036
37	154,60	149,76	100	20	40	3,69	QPD08B2-037
38	158,60	153,80	100	20	40	3,84	QPD08B2-038
39	162,70	157,83	100	20	40	4,00	QPD08B2-039
40	166,80	161,87	100	20	40	4,15	QPD08B2-040
45	188,00	182,07	*108	20	50	6,26	QPD08B2-045
50	208,30	202,26	*108	20	50	7,30	QPD08B2-050
57	236,40	230,54	*108	20	50	8,65	QPD08B2-057
76	313,30	307,32	*108	20	55	13,30	QPD08B2-076
95	390,10	384,11	*110	20	55	21,13	QPD08B2-095
114	466,90	460,91	*110	20	55	28,96	QPD08B2-114

Material	Steel C45 (Fe360B with Z ≥ 45)
De	External diameter
Dp	Pitch diameter
Dm	Hub diameter
W	Weight

* = possibility of receiving the sprocket with the hub welded on.

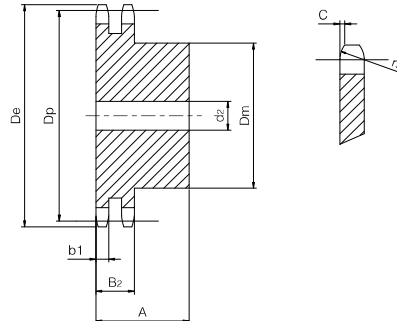
Duplex sprocket

for chain according to DIN 8187 - ISO/R 606

ISO 10B-2 Pitch 5/8" x 3/8"



SPROCKET	[mm]
Tooth radius r_3	16
Radius width C	1,6
Tooth width b_1	9
Tooth width B_2	25,5
CHAIN	[mm]
Pitch	15,875
Internal width	9,65
Roller \varnothing	10,16



Z	D_e [mm]	D_p [mm]	D_m [mm]	d_2 [mm]	A [mm]	W [kg]	Part number
8	47,00	41,48	25	12	40	0,19	QPD10B2-008
9	52,60	46,42	30	12	40	0,27	QPD10B2-009
10	57,50	51,37	35	12	40	0,36	QPD10B2-010
11	63,00	56,34	39	14	40	0,43	QPD10B2-011
12	68,00	61,34	44	14	40	0,55	QPD10B2-012
13	73,00	66,32	49	14	40	0,68	QPD10B2-013
14	78,00	71,34	54	14	40	0,82	QPD10B2-014
15	83,00	76,36	59	14	40	0,97	QPD10B2-015
16	88,00	81,37	64	16	45	1,26	QPD10B2-016
17	93,00	86,39	69	16	45	1,46	QPD10B2-017
18	98,30	91,42	74	16	45	1,67	QPD10B2-018
19	103,30	96,45	79	16	45	1,90	QPD10B2-019
20	108,40	101,49	84	16	45	2,14	QPD10B2-020
21	113,40	106,52	85	16	45	2,27	QPD10B2-021
22	118,00	111,55	90	16	45	2,54	QPD10B2-022
23	123,50	116,58	95	16	45	2,82	QPD10B2-023
24	128,30	121,62	100	16	45	3,11	QPD10B2-024
25	134,00	126,66	105	16	45	3,15	QPD10B2-025
26	139,00	131,70	110	20	45	3,74	QPD10B2-026
27	144,00	136,75	110	20	45	3,94	QPD10B2-027
28	148,70	141,78	115	20	45	4,28	QPD10B2-028
29	153,80	146,83	115	20	45	4,50	QPD10B2-029
30	158,80	151,87	120	20	45	4,87	QPD10B2-030
31	163,90	156,92	120	20	45	5,10	QPD10B2-031
32	168,90	161,95	120	20	45	5,34	QPD10B2-032
33	174,50	167,00	120	20	45	5,59	QPD10B2-033
34	179,00	172,05	120	20	45	5,84	QPD10B2-034
35	184,10	177,10	120	20	45	6,11	QPD10B2-035
36	189,10	182,15	120	20	45	6,38	QPD10B2-036
37	194,20	187,20	120	20	45	6,66	QPD10B2-037
38	199,20	192,24	120	20	45	6,95	QPD10B2-038
39	204,20	197,29	120	20	45	7,25	QPD10B2-039
40	209,30	202,34	120	20	45	7,55	QPD10B2-040
45	235,00	227,58	*120	20	50	10,32	QPD10B2-045
50	260,30	252,82	*120	20	50	12,00	QPD10B2-050
57	296,00	288,18	*130	20	50	15,74	QPD10B2-057
76	392,10	384,15	*130	20	63	24,93	QPD10B2-076
95	488,50	480,14	*130	20	63	38,90	QPD10B2-095

Material	Steel C45 (Fe360B with Z ≥ 45)
D_e	External diameter
D_p	Pitch diameter
D_m	Hub diameter
W	Weight

* = possibility of receiving the sprocket with the hub welded on.

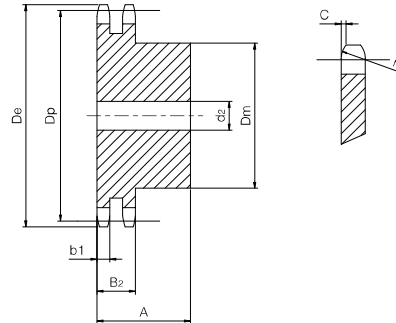
Duplex sprocket

for chain according to DIN 8187 - ISO/R 606



ISO 12B-2 Pitch 3/4" x 7/16"

SPROCKET	[mm]
Tooth radius r_3	19
Radius width C	2
Tooth width b_1	10,8
Tooth width B_2	30,3
CHAIN	[mm]
Pitch	19,05
Internal width	11,68
Roller ϕ	12,07



Z	De [mm]	Dp [mm]	Dm [mm]	d2 [mm]	A [mm]	W [kg]	Part number
8	57,30	49,78	31	12	45	0,31	QPD12B2-008
9	62,00	55,70	37	12	45	0,44	QPD12B2-009
10	69,00	61,64	42	12	45	0,59	QPD12B2-010
11	75,00	67,61	47	16	50	0,81	QPD12B2-011
12	81,50	73,60	53	16	50	1,02	QPD12B2-012
13	87,50	79,59	59	16	50	1,25	QPD12B2-013
14	93,60	85,61	65	16	50	1,46	QPD12B2-014
15	99,80	91,63	71	16	50	1,74	QPD12B2-015
16	105,50	97,65	77	20	50	2,03	QPD12B2-016
17	111,50	103,67	83	20	50	2,36	QPD12B2-017
18	118,00	109,71	89	20	50	2,70	QPD12B2-018
19	124,20	115,75	95	20	50	3,07	QPD12B2-019
20	129,70	121,78	100	20	50	3,43	QPD12B2-020
21	136,00	127,82	100	20	50	3,69	QPD12B2-021
22	141,00	133,86	100	20	50	3,97	QPD12B2-022
23	149,00	139,90	110	20	50	4,51	QPD12B2-023
24	153,90	145,94	110	20	50	4,81	QPD12B2-024
25	160,00	152,00	120	20	50	5,41	QPD12B2-025
26	165,90	158,04	120	20	50	5,73	QPD12B2-026
27	172,30	164,09	120	20	50	6,08	QPD12B2-027
28	178,00	170,13	120	20	50	6,43	QPD12B2-028
29	184,10	176,19	120	20	50	6,80	QPD12B2-029
30	190,50	182,25	120	20	50	7,19	QPD12B2-030
31	196,30	188,31	130	20	50	7,59	QPD12B2-031
32	203,30	194,35	130	20	50	8,00	QPD12B2-032
33	209,30	200,40	130	20	50	8,42	QPD12B2-033
34	214,60	206,46	130	20	50	8,86	QPD12B2-034
35	221,00	212,52	130	20	50	9,31	QPD12B2-035
36	226,80	218,58	130	25	50	9,71	QPD12B2-036
37	232,90	224,64	130	25	50	10,19	QPD12B2-037
38	239,00	230,69	130	25	50	10,78	QPD12B2-038
39	245,10	236,75	130	25	50	11,19	QPD12B2-039
40	251,30	242,81	130	25	50	11,71	QPD12B2-040
45	282,50	273,09	*140	25	63	16,35	QPD12B2-045
50	312,30	303,39	*140	25	63	20,00	QPD12B2-050
57	355,40	345,81	*140	25	63	24,43	QPD12B2-057
76	469,90	460,98	*140	25	63	41,88	QPD12B2-076
95	585,10	576,17	*140	25	63	63,79	QPD12B2-095
114	700,60	691,36	*140	25	63	85,70	QPD12B2-114

Material	Steel C45 (Fe360B with Z ≥ 45)
De	External diameter
Dp	Pitch diameter
Dm	Hub diameter
W	Weight

* = possibility of receiving the sprocket with the hub welded on.

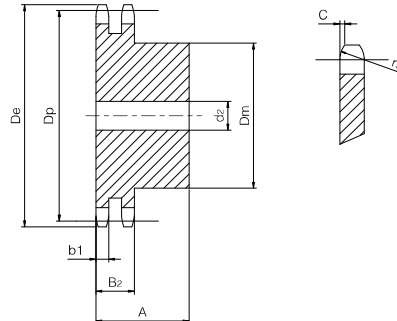
Duplex sprocket

for chain according to DIN 8187 - ISO/R 606

ISO 16B-2 Pitch 1" x 17,02 mm



SPROCKET	[mm]
Tooth radius r_3	26
Radius width C	2,5
Tooth width b_1	15,8
Tooth width B_2	47,7
CHAIN	[mm]
Pitch	25,4
Internal width	17,02
Roller \varnothing	15,88



Z	De [mm]	Dp [mm]	Dm [mm]	d2 [mm]	A [mm]	W [kg]	Part number
8	77,00	66,37	42	16	65	0,81	QPD16B2-008
9	85,00	74,27	50	16	65	1,15	QPD16B2-009
10	93,00	82,19	56	16	65	1,52	QPD16B2-010
11	101,50	90,14	64	20	70	2,08	QPD16B2-011
12	109,00	98,14	72	20	70	2,60	QPD16B2-012
13	117,00	106,12	80	20	70	3,18	QPD16B2-013
14	125,00	114,15	88	20	70	3,82	QPD16B2-014
15	133,00	122,17	96	20	70	4,51	QPD16B2-015
16	141,00	130,20	104	20	70	5,17	QPD16B2-016
17	149,00	138,22	112	20	70	5,98	QPD16B2-017
18	157,00	146,28	120	20	70	6,84	QPD16B2-018
19	165,20	154,33	128	20	70	7,76	QPD16B2-019
20	173,20	162,38	130	20	70	8,52	QPD16B2-020
21	181,20	170,43	130	25	70	9,24	QPD16B2-021
22	189,30	178,48	*130	25	70	10,00	QPD16B2-022
23	197,50	186,53	*130	25	70	10,80	QPD16B2-023
24	205,50	194,59	*130	25	70	11,64	QPD16B2-024
25	213,50	202,66	*130	25	70	12,52	QPD16B2-025
26	221,60	210,72	*130	25	70	13,43	QPD16B2-026
27	229,60	218,79	*130	25	70	14,38	QPD16B2-027
28	237,70	226,85	*130	25	70	15,38	QPD16B2-028
29	245,80	234,92	*130	25	70	16,41	QPD16B2-029
30	254,00	243,00	*130	25	70	17,48	QPD16B2-030
31	262,00	251,08	*140	25	70	18,96	QPD16B2-031
32	270,00	259,13	*140	25	70	20,10	QPD16B2-032
33	278,50	267,21	*140	25	70	21,29	QPD16B2-033
34	287,00	275,28	*140	25	70	22,21	QPD16B2-034
35	296,20	283,36	*140	25	70	23,77	QPD16B2-035
36	304,60	291,44	*140	25	70	25,07	QPD16B2-036
37	312,60	299,51	*140	25	70	26,41	QPD16B2-037
38	320,70	307,59	*140	25	70	27,79	QPD16B2-038
39	328,80	315,67	*140	25	70	29,20	QPD16B2-039
40	336,90	323,75	*140	25	70	30,65	QPD16B2-040
45	377,10	364,12	*150	25	80	38,44	QPD16B2-045
50	417,40	404,52	*150	25	80	48,00	QPD16B2-050
57	474,00	461,08	*160	25	90	63,45	QPD16B2-057
76	627,00	614,64	*160	25	90	110,79	QPD16B2-076
95	781,10	768,22	*160	25	116	178,48	QPD16B2-095
114	934,30	921,81	*160	25	116	246,17	QPD16B2-114

Material	Steel C45 (Fe360B with Z ≥ 22)
De	External diameter
Dp	Pitch diameter
Dm	Hub diameter
W	Weight

* = possibility of receiving the sprocket with the hub welded on.

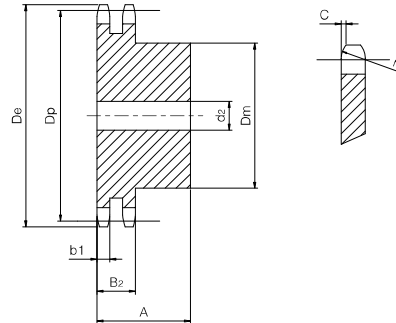
Duplex sprocket

for chain according to DIN 8187 - ISO/R 606

ISO 20B-2 Pitch 1"1/4 x 3/4"



SPROCKET	[mm]
Tooth radius r_3	32
Radius width C	3,5
Tooth width b_1	18,2
Tooth width B_2	54,6
CHAIN	[mm]
Pitch	31,75
Internal width	19,56
Roller \varnothing	19,05



Z	D _e [mm]	D _p [mm]	D _m [mm]	d ₂ [mm]	A [mm]	W [kg]	Part number
8	98,10	82,96	53	20	75	1,58	QPD20B2-008
9	108,00	92,84	63	20	75	2,19	QPD20B2-009
10	117,90	102,74	70	20	75	2,85	QPD20B2-010
11	127,80	112,68	80	20	80	3,72	QPD20B2-011
12	137,80	122,68	90	20	80	4,66	QPD20B2-012
13	147,80	132,65	100	20	80	5,70	QPD20B2-013
14	157,80	142,68	110	20	80	6,84	QPD20B2-014
15	167,90	152,72	120	20	80	8,08	QPD20B2-015
16	177,90	162,75	120	25	80	8,90	QPD20B2-016
17	187,90	172,78	120	25	80	9,92	QPD20B2-017
18	198,00	182,85	*120	25	80	11,00	QPD20B2-018
19	208,10	192,91	*120	25	80	12,16	QPD20B2-019
20	218,10	202,98	*120	25	80	13,38	QPD20B2-020
21	228,20	213,04	*140	25	80	15,49	QPD20B2-021
22	238,30	223,11	*140	25	80	16,86	QPD20B2-022
23	248,30	233,17	*140	25	80	18,29	QPD20B2-023
24	258,40	243,23	*140	25	80	19,79	QPD20B2-024
25	268,50	253,33	*140	25	80	21,36	QPD20B2-025
26	278,60	263,40	*150	25	80	23,45	QPD20B2-026
27	288,60	273,49	*150	25	80	25,15	QPD20B2-027
28	298,70	283,56	*150	25	80	26,93	QPD20B2-028
29	308,80	293,65	*150	25	80	28,77	QPD20B2-029
30	318,90	303,75	*150	25	80	30,69	QPD20B2-030
31	329,00	313,85	*150	25	80	32,67	QPD20B2-031
32	339,10	323,91	*150	25	80	34,72	QPD20B2-032
33	349,20	334,01	*150	25	80	36,88	QPD20B2-033
34	359,30	344,10	*150	25	80	39,03	QPD20B2-034
35	369,40	354,20	*150	25	80	41,28	QPD20B2-035
36	379,50	364,30	*150	30	80	43,61	QPD20B2-036
37	389,50	374,39	*150	30	80	46,04	QPD20B2-037
38	399,60	384,49	*150	30	80	48,46	QPD20B2-038
39	409,70	394,59	*150	30	80	51,03	QPD20B2-039
40	419,80	404,69	*150	30	80	53,60	QPD20B2-040
45	470,30	455,17	*160	30	90	71,32	QPD20B2-045
76	783,50	768,32	*180	30	100	200,96	QPD20B2-076

Material	Steel C45 (Fe360B with Z ≥ 18)
D _e	External diameter
D _p	Pitch diameter
D _m	Hub diameter
W	Weight

* = possibility of receiving the sprocket with the hub welded on.

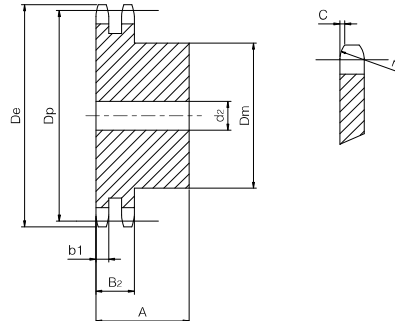
Duplex sprocket

for chain according to DIN 8187 - ISO/R 606



ISO 24B-2 Pitch 1"1/2 x 1"

SPROCKET	[mm]
Tooth radius r_3	38
Radius width C	4
Tooth width b_1	23,6
Tooth width B_2	72
CHAIN	[mm]
Pitch	38,1
Internal width	25,4
Roller \varnothing	25,4



Z	D_e [mm]	D_p [mm]	D_m [mm]	d_2 [mm]	A [mm]	W [kg]	Part number
8	115,00	99,55	58	25	95	2,70	QPD24B2-008
9	126,40	111,40	70	25	95	3,79	QPD24B2-009
10	138,00	123,29	80	25	95	5,01	QPD24B2-010
11	150,00	135,21	90	25	100	6,62	QPD24B2-011
12	162,00	147,22	102	25	100	8,28	QPD24B2-012
13	174,20	159,18	114	25	100	10,13	QPD24B2-013
14	186,20	171,22	128	25	100	12,24	QPD24B2-014
15	198,20	183,26	140	25	100	14,08	QPD24B2-015
16	210,30	195,30	*140	25	100	15,88	QPD24B2-016
17	222,30	207,34	*150	25	100	17,80	QPD24B2-017
18	234,30	219,42	*160	25	100	21,08	QPD24B2-018
19	246,50	231,49	*160	25	100	23,26	QPD24B2-019
20	258,60	243,57	*160	25	100	25,57	QPD24B2-020
21	270,60	255,65	*160	25	100	28,01	QPD24B2-021
22	282,70	267,73	*160	25	100	30,59	QPD24B2-022
23	294,80	279,80	*160	25	100	33,29	QPD24B2-023
24	306,80	291,88	*160	25	100	36,13	QPD24B2-024
25	319,00	304,00	*160	25	100	39,09	QPD24B2-025
26	331,00	316,08	*160	30	100	42,19	QPD24B2-026
27	343,20	328,19	*160	30	100	45,41	QPD24B2-027
28	355,20	340,27	*160	30	100	48,77	QPD24B2-028
29	367,30	352,38	*160	30	100	52,26	QPD24B2-029
30	379,50	364,50	*160	30	100	55,88	QPD24B2-030
31	391,60	376,62	*170	30	100	59,19	QPD24B2-031
32	403,70	388,69	*170	30	100	63,07	QPD24B2-032
33	415,80	400,81	*170	30	100	67,08	QPD24B2-033
34	427,80	412,93	*170	30	100	71,21	QPD24B2-034
35	440,00	425,04	*170	30	100	75,49	QPD24B2-035
36	452,00	437,16	*170	30	100	79,89	QPD24B2-036
37	464,20	449,27	*170	30	100	84,43	QPD24B2-037
38	476,20	461,39	*170	30	100	89,09	QPD24B2-038
39	488,50	473,50	*170	30	100	93,95	QPD24B2-039
40	500,60	485,62	*170	30	100	98,80	QPD24B2-040

Material	Steel C45 (Fe360B with Z ≥ 16)
D_e	External diameter
D_p	Pitch diameter
D_m	Hub diameter
W	Weight

* = possibility of receiving the sprocket with the hub welded on.

Duplex sprocket

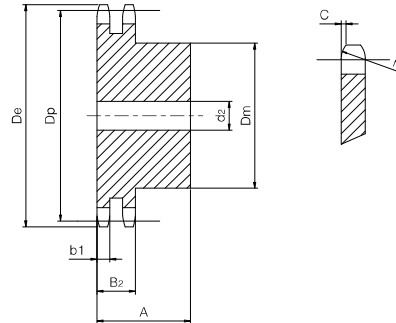
for chain according to DIN 8187 - ISO/R 606

ISO 28B-2

Pitch 1"3/4 x 1"1/4



SPROCKET	[mm]
Tooth radius r_3	44
Radius width C	5
Tooth width b_1	28,8
Tooth width B_2	88,4
CHAIN	[mm]
Pitch	44,45
Internal width	30,99
Roller \varnothing	27,94



Z	De [mm]	Dp [mm]	Dm [mm]	d2 [mm]	A [mm]	W [kg]	Part number
8	132,00	116,15	74	25	120	4,75	QPD28B2-008
9	148,40	129,96	88	25	120	6,66	QPD28B2-009
10	162,30	143,85	100	25	120	8,79	QPD28B2-010
11	176,30	157,77	112	25	120	11,19	QPD28B2-011
12	189,50	171,74	125	25	120	13,91	QPD28B2-012
13	204,20	185,74	*125	25	120	16,25	QPD28B2-013
14	218,20	199,76	*125	25	120	18,81	QPD28B2-014
15	232,30	213,79	*145	25	120	22,64	QPD28B2-015
16	246,30	227,84	*160	30	120	26,52	QPD28B2-016
17	260,00	241,91	*160	30	120	29,74	QPD28B2-017
18	274,00	255,98	*160	30	120	33,17	QPD28B2-018
19	289,00	270,06	*180	30	120	38,14	QPD28B2-019
20	303,00	284,15	*180	30	120	42,02	QPD28B2-020
21	317,00	298,24	*180	30	120	49,10	QPD28B2-021
22	331,00	312,34	*180	30	120	50,40	QPD28B2-022
23	345,00	326,44	*180	30	120	54,92	QPD28B2-023
24	359,00	340,55	*180	30	120	59,77	QPD28B2-024
25	373,00	354,66	*180	30	120	64,62	QPD28B2-025
26	387,00	368,77	*180	30	120	69,28	QPD28B2-026
27	401,40	382,88	*180	30	120	74,78	QPD28B2-027
28	416,00	397,00	*180	30	120	80,28	QPD28B2-028
29	430,00	411,12	*180	30	120	86,23	QPD28B2-029
30	444,00	425,24	*180	30	120	92,17	QPD28B2-030
31	458,00	439,37	*180	30	120	109,67	QPD28B2-031
35	514,00	495,88	*200	30	120	127,17	QPD28B2-035
38	557,00	538,27	*200	30	120	149,90	QPD28B2-038
40	585,00	566,54	*200	30	120	167,15	QPD28B2-040

Material	Steel C45 (Fe360B with Z ≥ 13)
De	External diameter
Dp	Pitch diameter
Dm	Hub diameter
W	Weight

* = possibility of receiving the sprocket with the hub welded on.

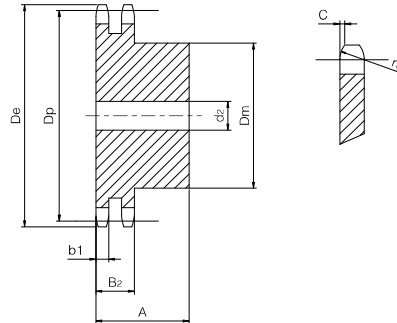
Duplex sprocket

for chain according to DIN 8187 - ISO/R 606

ISO 32B-2 Pitch 2" x 1 1/4



SPROCKET	[mm]
Tooth radius r_3	51
Radius width C	6
Tooth width b_1	28,8
Tooth width B_2	87,4
CHAIN	[mm]
Pitch	50,8
Internal width	30,99
Roller \varnothing	29,21



Z	D_e [mm]	D_p [mm]	D_m [mm]	d_2 [mm]	A [mm]	W [kg]	Part number
8	153,00	132,69	82	30	120	6,65	QPD32B2-008
9	169,00	148,54	88	30	120	9,14	QPD32B2-009
10	185,00	164,44	104	30	120	12,01	QPD32B2-010
11	200,80	180,34	120	30	120	14,75	QPD32B2-011
12	216,80	196,29	*133	30	120	17,95	QPD32B2-012
13	232,80	212,29	*145	30	120	21,68	QPD32B2-013
14	248,80	228,29	*145	30	120	25,03	QPD32B2-014
15	264,80	244,30	*160	30	120	29,30	QPD32B2-015
16	280,90	260,40	*160	30	120	33,21	QPD32B2-016
17	296,90	276,40	*180	30	120	38,76	QPD32B2-017
18	313,00	292,55	*180	30	120	43,24	QPD32B2-018
19	329,10	308,66	*200	30	120	49,52	QPD32B2-019
20	345,20	324,71	*200	30	120	54,56	QPD32B2-020
21	361,30	340,82	*200	30	120	59,87	QPD32B2-021
22	377,50	356,98	*200	30	120	65,47	QPD32B2-022
23	393,60	373,08	*200	30	120	71,35	QPD32B2-023
24	409,70	389,18	*200	30	120	77,52	QPD32B2-024
25	425,80	405,33	*200	30	120	83,66	QPD32B2-025
26	441,90	421,44	*200	30	120	90,69	QPD32B2-026
27	458,10	437,59	*200	30	120	97,84	QPD32B2-027
28	474,20	453,69	*200	30	120	104,99	QPD32B2-028
30	506,50	486,00	*200	30	120	120,41	QPD32B2-030

Material	Steel C45 (Fe360B with $Z \geq 12$)
D_e	External diameter
D_p	Pitch diameter
D_m	Hub diameter
W	Weight

* = possibility of receiving the sprocket with the hub welded on.

ES ELITESYSTEM® TRIPLEX SPROCKETS

Triplex sprocket

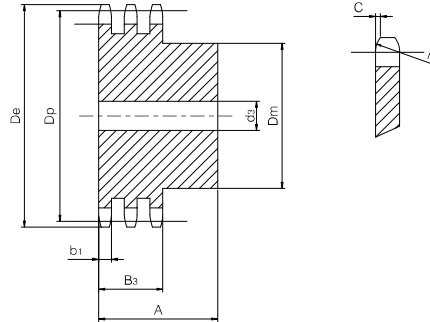
for chain according to DIN 8187 - ISO/R 606

ISO 06B-3

Pitch 3/8" x 7/32"



SPROCKET	[mm]
Tooth radius r_3	10
Radius width C	1
Tooth width b_1	5,2
Tooth width B_3	25,6
CHAIN	[mm]
Pitch	9,525
Internal width	5,72
Roller ϕ	6,35



Z	De [mm]	Dp [mm]	Dm [mm]	d3 [mm]	A [mm]	W [kg]	Part number
8	28,00	24,89	15	8	32	0,05	QPT06B3-008
9	31,00	27,85	18	8	32	0,07	QPT06B3-009
10	34,00	30,82	20	10	32	0,09	QPT06B3-010
11	37,00	33,80	22	10	35	0,11	QPT06B3-011
12	40,00	36,80	25	10	35	0,15	QPT06B3-012
13	43,00	39,79	28	10	35	0,19	QPT06B3-013
14	46,30	42,80	31	12	35	0,23	QPT06B3-014
15	49,30	45,81	34	12	35	0,28	QPT06B3-015
16	52,30	48,82	37	12	35	0,33	QPT06B3-016
17	55,30	51,83	40	12	35	0,39	QPT06B3-017
18	58,30	54,85	43	12	35	0,45	QPT06B3-018
19	61,30	57,87	46	12	35	0,51	QPT06B3-019
20	64,30	60,89	49	12	35	0,58	QPT06B3-020
21	68,00	63,91	52	14	40	0,70	QPT06B3-021
22	71,00	66,93	55	14	40	0,78	QPT06B3-022
23	73,50	69,95	58	14	40	0,87	QPT06B3-023
24	77,00	72,97	61	14	40	0,97	QPT06B3-024
25	80,00	76,02	64	14	40	1,06	QPT06B3-025
26	83,00	79,02	67	14	40	1,17	QPT06B3-026
27	86,00	82,02	70	14	40	1,27	QPT06B3-027
28	89,00	85,07	73	14	40	1,39	QPT06B3-028
29	92,00	88,09	76	14	40	1,50	QPT06B3-029
30	94,70	91,12	79	14	40	1,62	QPT06B3-030
31	98,30	94,15	80	16	40	1,72	QPT06B3-031
32	101,30	97,17	80	16	40	1,80	QPT06B3-032
33	104,30	100,20	80	16	40	1,89	QPT06B3-033
34	107,30	103,23	85	16	40	2,06	QPT06B3-034
35	110,40	106,26	85	16	40	2,15	QPT06B3-035
36	113,40	109,29	90	16	40	2,33	QPT06B3-036
37	116,40	112,32	90	16	40	2,43	QPT06B3-037
38	119,50	115,35	90	16	40	2,53	QPT06B3-038
39	122,50	118,37	90	16	40	2,63	QPT06B3-039
40	125,50	121,40	90	16	40	2,74	QPT06B3-040

Material	Steel C45
De	External diameter
Dp	Pitch diameter
Dm	Hub diameter
W	Weight

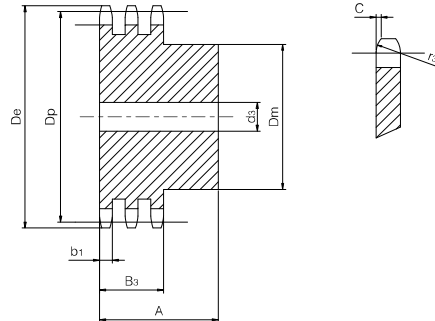
Triplex sprocket

for chain according to DIN 8187 - ISO/R 606

ISO 08B-3 Pitch 1/2" x 5/16"



SPROCKET	[mm]
Tooth radius r_3	13
Radius width C	1,3
Tooth width b_1	7
Tooth width B_3	34,9
CHAIN	[mm]
Pitch	12,7
Internal width	7,75
Roller \varnothing	8,51



Z	De [mm]	Dp [mm]	Dm [mm]	d3 [mm]	A [mm]	W [kg]	Part number
8	37,00	33,18	20	10	46	0,13	QPT08B3-008
9	41,00	37,13	24	12	46	0,18	QPT08B3-009
10	45,20	41,10	28	12	46	0,24	QPT08B3-010
11	48,70	45,07	32	14	50	0,31	QPT08B3-011
12	53,00	49,07	35	14	50	0,39	QPT08B3-012
13	57,40	53,06	38	14	50	0,49	QPT08B3-013
14	61,80	57,07	42	14	50	0,60	QPT08B3-014
15	65,50	61,09	46	14	50	0,72	QPT08B3-015
16	69,50	65,10	50	16	50	0,85	QPT08B3-016
17	73,60	69,11	54	16	50	0,99	QPT08B3-017
18	77,80	73,14	58	16	50	1,14	QPT08B3-018
19	81,70	77,16	62	16	50	1,30	QPT08B3-019
20	85,80	81,19	66	16	50	1,47	QPT08B3-020
21	89,70	85,22	70	16	55	1,79	QPT08B3-021
22	93,80	89,24	70	16	55	1,93	QPT08B3-022
23	98,20	93,27	70	16	55	2,08	QPT08B3-023
24	101,80	97,29	75	16	55	2,32	QPT08B3-024
25	105,80	101,33	80	16	55	2,57	QPT08B3-025
26	110,00	105,36	85	20	55	2,79	QPT08B3-026
27	114,00	109,40	85	20	55	2,96	QPT08B3-027
28	118,00	113,42	90	20	55	3,25	QPT08B3-028
29	122,00	117,46	95	20	55	3,55	QPT08B3-029
30	126,10	121,50	100	20	55	3,86	QPT08B3-030
31	130,20	125,54	110	20	55	4,32	QPT08B3-031
32	134,30	129,56	110	20	55	4,53	QPT08B3-032
33	138,40	133,60	110	20	55	4,74	QPT08B3-033
34	142,60	137,64	110	20	55	4,97	QPT08B3-034
35	146,70	141,68	110	20	55	5,20	QPT08B3-035
36	151,00	145,72	120	25	55	5,64	QPT08B3-036
37	154,60	149,76	120	25	55	5,88	QPT08B3-037
38	158,60	153,80	120	25	55	6,14	QPT08B3-038
39	162,70	157,83	120	25	55	6,40	QPT08B3-039
40	166,80	161,87	120	25	55	6,66	QPT08B3-040

Material	Steel C45
De	External diameter
Dp	Pitch diameter
Dm	Hub diameter
W	Weight

Triplex sprocket

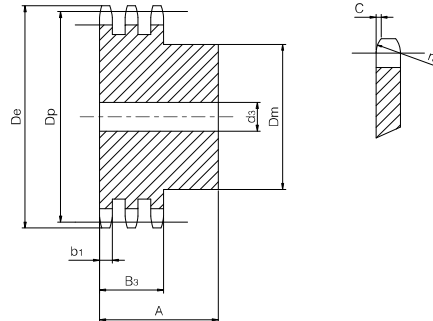
for chain according to DIN 8187 - ISO/R 606

ISO 10B-3

Pitch 5/8" x 3/8"



SPROCKET	[mm]
Tooth radius r_3	16
Radius width C	1,6
Tooth width b_1	9
Tooth width B_3	42,1
CHAIN	[mm]
Pitch	15,875
Internal width	9,65
Roller ϕ	10,16



Z	De [mm]	Dp [mm]	Dm [mm]	d3 [mm]	A [mm]	W [kg]	Part number
8	47,00	41,48	25	12	55	0,27	QPT10B3-008
9	52,60	46,42	30	12	55	0,38	QPT10B3-009
10	57,50	51,37	35	12	55	0,47	QPT10B3-010
11	63,00	56,34	39	16	55	0,61	QPT10B3-011
12	68,00	61,34	44	16	55	0,78	QPT10B3-012
13	73,00	66,32	49	16	55	0,96	QPT10B3-013
14	78,00	71,34	54	16	55	1,15	QPT10B3-014
15	83,00	76,36	59	16	55	1,37	QPT10B3-015
16	88,00	81,37	64	16	60	1,72	QPT10B3-016
17	93,00	86,39	69	16	60	1,99	QPT10B3-017
18	98,30	91,42	74	16	60	2,27	QPT10B3-018
19	103,30	96,45	79	16	60	2,58	QPT10B3-019
20	108,40	101,49	84	16	60	2,91	QPT10B3-020
21	113,40	106,52	85	20	60	3,12	QPT10B3-021
22	118,00	111,55	90	20	60	3,48	QPT10B3-022
23	123,50	116,58	95	20	60	3,86	QPT10B3-023
24	128,30	121,62	100	20	60	4,25	QPT10B3-024
25	134,00	126,66	105	20	60	4,67	QPT10B3-025
26	139,00	131,70	110	20	60	5,10	QPT10B3-026
27	144,00	136,75	110	20	60	5,43	QPT10B3-027
28	148,70	141,78	115	20	60	5,90	QPT10B3-028
29	153,80	146,83	115	20	60	6,25	QPT10B3-029
30	158,80	151,87	120	20	60	6,65	QPT10B3-030
31	163,90	156,92	120	20	60	7,18	QPT10B3-031
32	168,90	161,95	120	20	60	7,56	QPT10B3-032
33	174,50	167,00	120	20	60	7,97	QPT10B3-033
34	179,00	172,05	120	20	60	8,36	QPT10B3-034
35	184,10	177,10	120	20	60	8,74	QPT10B3-035
36	189,10	182,15	120	25	60	9,15	QPT10B3-036
37	194,20	187,20	120	25	60	9,61	QPT10B3-037
38	199,20	192,24	120	25	60	10,08	QPT10B3-038
39	204,20	197,29	120	25	60	10,57	QPT10B3-039
40	209,30	202,34	120	25	60	11,07	QPT10B3-040

Material	Steel C45
De	External diameter
Dp	Pitch diameter
Dm	Hub diameter
W	Weight

ISO triplex sprockets

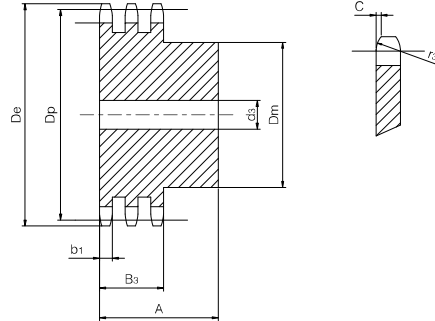
Triplex sprocket

for chain according to DIN 8187 - ISO/R 606



ISO 12B-3 Pitch 3/4" x 7/16"

SPROCKET	[mm]
Tooth radius r_3	19
Radius width C	2
Tooth width b_1	10,8
Tooth width B_3	49,8
CHAIN	[mm]
Pitch	19,05
Internal width	11,68
Roller ϕ	12,07



Z	De [mm]	Dp [mm]	Dm [mm]	d3 [mm]	A [mm]	W [kg]	Part number
8	57,30	49,78	31	16	65	0,45	QPT12B3-008
9	62,00	55,70	37	16	65	0,64	QPT12B3-009
10	69,00	61,64	42	16	65	0,86	QPT12B3-010
11	75,00	67,61	47	20	70	1,09	QPT12B3-011
12	81,50	73,60	53	20	70	1,39	QPT12B3-012
13	87,50	79,59	59	20	70	1,72	QPT12B3-013
14	93,60	85,61	65	20	70	2,08	QPT12B3-014
15	99,80	91,63	71	20	70	2,47	QPT12B3-015
16	105,50	97,65	77	20	70	2,89	QPT12B3-016
17	111,50	103,67	83	20	70	3,34	QPT12B3-017
18	118,00	109,71	89	20	70	3,83	QPT12B3-018
19	124,20	115,75	95	20	70	4,35	QPT12B3-019
20	129,70	121,78	100	20	70	4,87	QPT12B3-020
21	136,00	127,82	100	20	70	5,20	QPT12B3-021
22	141,00	133,86	100	20	70	5,65	QPT12B3-022
23	149,00	139,90	110	20	70	6,38	QPT12B3-023
24	153,90	145,94	110	20	70	6,87	QPT12B3-024
25	160,00	152,00	120	20	70	7,77	QPT12B3-025
26	165,90	158,04	120	20	70	8,21	QPT12B3-026
27	172,30	164,09	120	20	70	8,77	QPT12B3-027
28	178,00	170,13	120	20	70	9,35	QPT12B3-028
29	184,10	176,19	120	20	70	9,96	QPT12B3-029
30	190,50	182,25	120	20	70	10,59	QPT12B3-030
31	196,30	188,31	130	25	70	11,55	QPT12B3-031
32	203,30	194,35	130	25	70	12,22	QPT12B3-032
33	209,30	200,40	130	25	70	12,92	QPT12B3-033
34	214,60	206,46	130	25	70	13,64	QPT12B3-034
35	221,00	212,52	130	25	70	14,38	QPT12B3-035
36	226,80	218,58	130	25	70	15,14	QPT12B3-036
37	232,90	224,64	130	25	70	15,93	QPT12B3-037
38	239,00	230,69	130	25	70	16,73	QPT12B3-038
39	245,10	236,75	130	25	70	17,57	QPT12B3-039
40	251,30	242,81	130	25	70	18,42	QPT12B3-040
45	282,50	273,09	*140	25	70	23,55	QPT12B3-045
50	312,30	303,39	*140	25	70	30,00	QPT12B3-050
57	355,40	345,81	*140	25	70	37,16	QPT12B3-057
76	469,90	460,98	*140	25	70	65,41	QPT12B3-076
95	585,10	576,17	*140	25	70	101,37	QPT12B3-095
114	700,60	691,36	*140	25	70	137,33	QPT12B3-114

Material	Steel C45 (Fe360B with Z ≥ 45)
De	External diameter
Dp	Pitch diameter
Dm	Hub diameter
W	Weight

* = possibility of receiving the sprocket with the hub welded on.

Triplex sprocket

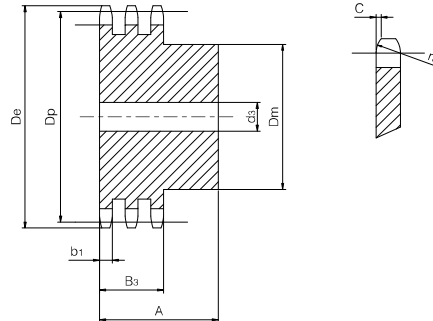
for chain according to DIN 8187 - ISO/R 606

ISO 16B-3

Pitch 1" x 17,02 mm



SPROCKET	[mm]
Tooth radius r_3	26
Radius width C	2,5
Tooth width b_1	15,8
Tooth width B_3	79,6
CHAIN	[mm]
Pitch	25,4
Internal width	17,02
Roller ϕ	15,88



Z	De [mm]	Dp [mm]	Dm [mm]	d3 [mm]	A [mm]	W [kg]	Part number
8	77,00	66,37	42	20	95	1,19	QPT16B3-008
9	85,00	74,27	50	20	95	1,68	QPT16B3-009
10	93,00	82,19	56	20	95	2,24	QPT16B3-010
11	101,50	90,14	64	25	100	2,86	QPT16B3-011
12	109,00	98,14	72	25	100	3,62	QPT16B3-012
13	117,00	106,12	80	25	100	4,45	QPT16B3-013
14	125,00	114,15	88	25	100	5,37	QPT16B3-014
15	133,00	122,17	96	25	100	6,37	QPT16B3-015
16	141,00	130,20	104	25	100	7,45	QPT16B3-016
17	149,00	138,22	112	25	100	8,60	QPT16B3-017
18	157,00	146,28	120	25	100	9,84	QPT16B3-018
19	165,20	154,33	128	25	100	11,16	QPT16B3-019
20	173,20	162,38	130	25	100	12,36	QPT16B3-020
21	181,20	170,43	*130	25	100	13,56	QPT16B3-021
22	189,30	178,48	*130	25	100	14,82	QPT16B3-022
23	197,50	186,53	*130	25	100	16,15	QPT16B3-023
24	205,50	194,59	*130	25	100	17,53	QPT16B3-024
25	213,50	202,66	*130	25	100	18,99	QPT16B3-025
26	221,60	210,72	*130	30	100	20,34	QPT16B3-026
27	229,60	218,79	*130	30	100	21,92	QPT16B3-027
28	237,70	226,85	*130	30	100	23,57	QPT16B3-028
29	245,80	234,92	*130	30	100	25,27	QPT16B3-029
30	254,00	243,00	*130	30	100	27,05	QPT16B3-030
31	262,00	251,08	*140	30	100	29,23	QPT16B3-031
32	270,00	259,13	*140	30	100	31,13	QPT16B3-032
33	278,50	267,21	*140	30	100	33,10	QPT16B3-033
34	287,00	275,28	*140	30	100	35,13	QPT16B3-034
35	296,20	283,36	*140	30	100	37,23	QPT16B3-035
36	304,60	291,44	*140	30	100	39,39	QPT16B3-036
37	312,60	299,51	*140	30	100	41,65	QPT16B3-037
38	320,70	307,59	*140	30	100	43,90	QPT16B3-038
39	328,80	315,67	*140	30	100	46,29	QPT16B3-039
40	336,90	323,75	*140	30	100	48,67	QPT16B3-040
45	377,10	364,12	*160	30	100	63,94	QPT16B3-045
50	417,40	404,52	*160	30	100	80,00	QPT16B3-050
57	474,00	461,08	*180	30	110	103,03	QPT16B3-057
76	627,00	614,64	*180	30	110	181,86	QPT16B3-076
95	781,10	768,22	*180	30	110	283,85	QPT16B3-095
114	934,30	921,81	*180	30	110	385,84	QPT16B3-114

Material	Steel C45 (Fe360B with Z ≥ 21)
De	External diameter
Dp	Pitch diameter
Dm	Hub diameter
W	Weight

* = possibility of receiving the sprocket with the hub welded on.

ISO triplex sprockets

Triplex sprocket

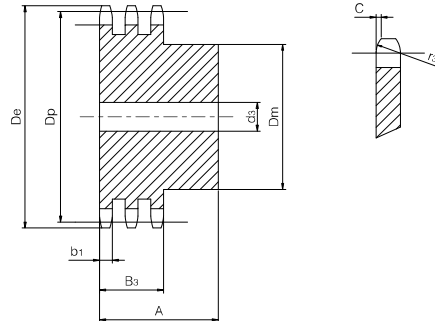
for chain according to DIN 8187 - ISO/R 606

ISO 20B-3

Pitch 1"1/4 x 3/4"



SPROCKET	[mm]
Tooth radius r_3	32
Radius width C	3,5
Tooth width b_1	18,2
Tooth width B_3	91
CHAIN	[mm]
Pitch	31,75
Internal width	19,56
Roller ϕ	19,05



Z	De [mm]	Dp [mm]	Dm [mm]	d3 [mm]	A [mm]	W [kg]	Part number
8	98,10	82,96	53	20	110	2,15	QPT20B3-008
9	108,00	92,84	63	20	110	3,05	QPT20B3-009
10	117,90	102,74	70	20	110	4,04	QPT20B3-010
11	127,80	112,68	80	20	115	5,19	QPT20B3-011
12	137,80	122,68	90	20	115	6,55	QPT20B3-012
13	147,80	132,65	100	20	115	8,06	QPT20B3-013
14	157,80	142,68	110	20	115	9,71	QPT20B3-014
15	167,90	152,72	120	20	115	11,50	QPT20B3-015
16	177,90	162,75	120	25	115	13,06	QPT20B3-016
17	187,90	172,78	120	25	115	14,65	QPT20B3-017
18	198,00	182,85	*120	25	115	16,54	QPT20B3-018
19	208,10	192,91	*120	25	115	18,45	QPT20B3-019
20	218,10	202,98	*120	25	115	20,48	QPT20B3-020
21	228,20	213,04	*140	25	115	23,38	QPT20B3-021
22	238,30	223,11	*140	25	115	25,64	QPT20B3-022
23	248,30	233,17	*140	25	115	28,00	QPT20B3-023
24	258,40	243,23	*140	25	115	30,49	QPT20B3-024
25	268,50	253,33	*140	25	115	33,09	QPT20B3-025
26	278,60	263,40	*150	25	115	36,23	QPT20B3-026
27	288,60	273,49	*150	25	115	39,06	QPT20B3-027
28	298,70	283,56	*150	25	115	42,00	QPT20B3-028
29	308,80	293,65	*150	25	115	45,12	QPT20B3-029
30	318,90	303,75	*150	25	115	48,23	QPT20B3-030
31	329,00	313,85	*150	30	115	51,57	QPT20B3-031
32	339,10	323,91	*150	30	115	54,91	QPT20B3-032
33	349,20	334,01	*150	30	115	58,49	QPT20B3-033
34	359,30	344,10	*150	30	115	62,06	QPT20B3-034
35	369,40	354,20	*150	30	115	65,80	QPT20B3-035
36	379,50	364,30	*150	30	115	69,66	QPT20B3-036
37	389,50	374,39	*150	30	115	73,69	QPT20B3-037
38	399,60	384,49	*150	30	115	77,72	QPT20B3-038
39	409,70	394,59	*150	30	115	81,98	QPT20B3-039
40	419,80	404,69	*150	30	115	86,24	QPT20B3-040

Material	Steel C45 (Fe360B with Z ≥ 18)
De	External diameter
Dp	Pitch diameter
Dm	Hub diameter
W	Weight

* = possibility of receiving the sprocket with the hub welded on.

Triplex sprocket

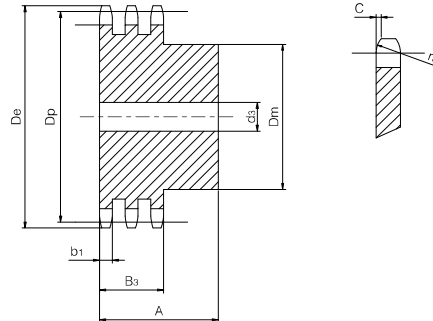
for chain according to DIN 8187 - ISO/R 606

ISO 24B-3

Pitch 1" 1/2 x 1"



SPROCKET	[mm]
Tooth radius r_3	38
Radius width C	4
Tooth width b_1	23,6
Tooth width B_3	120,3
CHAIN	[mm]
Pitch	38,1
Internal width	25,4
Roller ϕ	25,4



Z	De [mm]	Dp [mm]	Dm [mm]	d3 [mm]	A [mm]	W [kg]	Part number
8	115,00	99,55	58	25	140	4,00	QPT24B3-008
9	126,40	111,40	70	25	140	5,62	QPT24B3-009
10	138,00	123,29	80	25	140	7,45	QPT24B3-010
11	150,00	135,21	90	25	150	9,73	QPT24B3-011
12	162,00	147,22	102	25	150	12,24	QPT24B3-012
13	174,20	159,18	114	25	150	15,02	QPT24B3-013
14	186,20	171,22	128	25	150	18,16	QPT24B3-014
15	198,20	183,26	132	25	150	21,09	QPT24B3-015
16	210,30	195,30	*136	25	150	24,25	QPT24B3-016
17	222,30	207,34	*140	25	150	27,42	QPT24B3-017
18	234,30	219,42	*150	25	150	32,12	QPT24B3-018
19	246,50	231,49	*160	25	150	35,74	QPT24B3-019
20	258,60	243,57	*160	25	150	39,57	QPT24B3-020
21	270,60	255,65	*160	30	150	42,98	QPT24B3-021
22	282,70	267,73	*160	30	150	47,25	QPT24B3-022
23	294,80	279,80	*160	30	150	51,74	QPT24B3-023
24	306,80	291,88	*160	30	150	56,44	QPT24B3-024
25	319,00	304,00	*160	30	150	61,37	QPT24B3-025
26	331,00	316,08	*160	30	150	66,52	QPT24B3-026
27	343,20	328,19	*160	30	150	71,88	QPT24B3-027
28	355,20	340,27	*160	30	150	77,46	QPT24B3-028
29	367,30	352,38	*160	30	150	83,37	QPT24B3-029
30	379,50	364,50	*160	40	150	89,28	QPT24B3-030
31	391,60	376,62	*160	40	150	95,63	QPT24B3-031
32	403,70	388,69	*160	40	150	101,97	QPT24B3-032
33	415,80	400,81	*160	40	150	108,86	QPT24B3-033
34	427,80	412,93	*160	40	150	115,75	QPT24B3-034
35	440,00	425,04	*160	40	150	122,64	QPT24B3-035
36	452,00	437,16	*160	40	150	130,19	QPT24B3-036
37	464,20	449,27	*160	40	150	137,73	QPT24B3-037
38	476,20	461,39	*160	40	150	145,28	QPT24B3-038
39	488,50	473,50	*160	40	150	153,37	QPT24B3-039
40	500,60	485,62	*160	40	150	161,46	QPT24B3-040

Material	Steel C45 (Fe360B with Z ≥ 16)
De	External diameter
Dp	Pitch diameter
Dm	Hub diameter
W	Weight

* = possibility of receiving the sprocket with the hub welded on.

Triplex sprocket

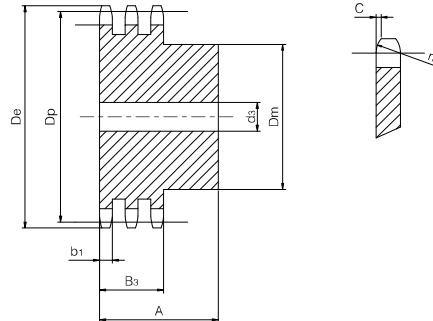
for chain according to DIN 8187 - ISO/R 606

ISO 28B-3

Pitch 1"3/4 x 1"1/4



SPROCKET	[mm]
Tooth radius r_3	44
Radius width C	5
Tooth width b_1	28,8
Tooth width B_3	148
CHAIN	[mm]
Pitch	44,45
Internal width	30,99
Roller ϕ	27,94



Z	De [mm]	Dp [mm]	Dm [mm]	d3 [mm]	A [mm]	W [kg]	Part number
8	132,00	116,15	74	30	180	7,04	QPT28B3-008
9	148,40	129,96	88	30	180	9,89	QPT28B3-009
10	162,30	143,85	100	30	180	13,10	QPT28B3-010
11	176,30	157,77	112	30	180	16,73	QPT28B3-011
12	189,50	171,74	125	30	180	20,84	QPT28B3-012
13	204,20	185,74	*125	30	180	24,70	QPT28B3-013
14	218,20	199,76	*125	30	180	28,93	QPT28B3-014
15	232,30	213,79	*145	30	180	34,58	QPT28B3-015
16	246,30	227,84	*160	30	180	40,44	QPT28B3-016
17	260,00	241,91	*160	30	180	45,77	QPT28B3-017
18	274,00	255,98	*160	30	180	51,76	QPT28B3-018
19	289,00	270,06	*180	30	180	58,07	QPT28B3-019
20	303,00	284,15	*180	30	180	64,49	QPT28B3-020
21	317,00	298,24	*180	30	180	71,28	QPT28B3-021
22	331,00	312,34	*180	30	180	78,61	QPT28B3-022
23	345,00	326,44	*180	30	180	85,94	QPT28B3-023
24	359,00	340,55	*180	30	180	99,01	QPT28B3-024
25	373,00	354,66	*180	40	180	112,07	QPT28B3-025
26	387,00	368,77	*180	40	180	119,41	QPT28B3-026
27	401,40	382,88	*180	40	180	126,76	QPT28B3-027
28	416,00	397,00	*180	40	180	134,10	QPT28B3-028
29	430,00	411,12	*180	40	180	141,45	QPT28B3-029
30	444,00	425,24	*180	40	180	148,79	QPT28B3-030
31	458,00	439,37	*180	40	180	180,53	QPT28B3-031
35	514,00	495,88	*200	40	180	212,27	QPT28B3-035
38	557,00	538,27	*200	40	180	244,01	QPT28B3-038
40	585,00	566,54	*200	40	180	271,10	QPT28B3-040

Material	Steel C45 (Fe360B with Z ≥ 13)
De	External diameter
Dp	Pitch diameter
Dm	Hub diameter
W	Weight

* = possibility of receiving the sprocket with the hub welded on.

Triplex sprocket

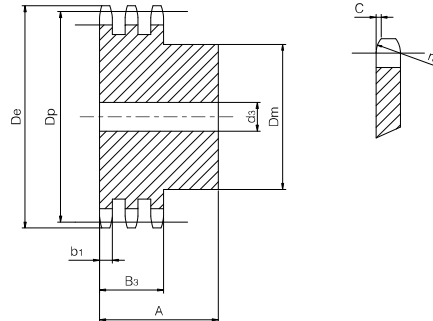
for chain according to DIN 8187 - ISO/R 606

ISO 32B-3

Pitch 2" x 1 1/4



SPROCKET	[mm]
Tooth radius r_3	51
Radius width C	6
Tooth width b_1	28,8
Tooth width B_3	146
CHAIN	[mm]
Pitch	50,8
Internal width	30,99
Roller \varnothing	29,21



Z	D_e [mm]	D_p [mm]	D_m [mm]	d_3 [mm]	A [mm]	W [kg]	Part number
8	153,00	132,69	82	30	180	9,90	QPT32B3-008
9	169,00	148,54	88	30	180	13,65	QPT32B3-009
10	185,00	164,44	104	30	180	17,97	QPT32B3-010
11	200,80	180,34	120	30	180	22,22	QPT32B3-011
12	216,80	196,29	*133	30	180	27,23	QPT32B3-012
13	232,80	212,29	*145	30	180	32,98	QPT32B3-013
14	248,80	228,29	*145	30	180	38,50	QPT32B3-014
15	264,80	244,30	*160	30	180	45,04	QPT32B3-015
16	280,90	260,40	*160	30	180	51,50	QPT32B3-016
17	296,90	276,40	*180	30	180	61,45	QPT32B3-017
18	313,00	292,55	*180	30	180	68,85	QPT32B3-018
19	329,10	308,66	*200	30	180	76,73	QPT32B3-019
20	345,20	324,71	*200	30	180	85,07	QPT32B3-020
21	361,30	340,82	*200	40	180	93,89	QPT32B3-021
22	377,50	356,98	*200	40	180	103,41	QPT32B3-022
23	393,60	373,08	*200	40	180	112,93	QPT32B3-023
24	409,70	389,18	*200	40	180	123,40	QPT32B3-024
25	425,80	405,33	*200	40	180	133,86	QPT32B3-025
26	441,90	421,44	*200	40	180	149,00	QPT32B3-026
27	458,10	437,59	*200	40	180	164,14	QPT32B3-027
28	474,20	453,69	*200	40	180	179,28	QPT32B3-028
30	506,50	486,00	*200	40	180	194,42	QPT32B3-030

Material	Steel C45 (Fe360B with $Z \geq 12$)
D_e	External diameter
D_p	Pitch diameter
D_m	Hub diameter
W	Weight

* = possibility of receiving the sprocket with the hub welded on.