

ES ELITESYSTEM® SIMPLEX SPROCKETS FOR SER-SIT® TAPER BUSHING

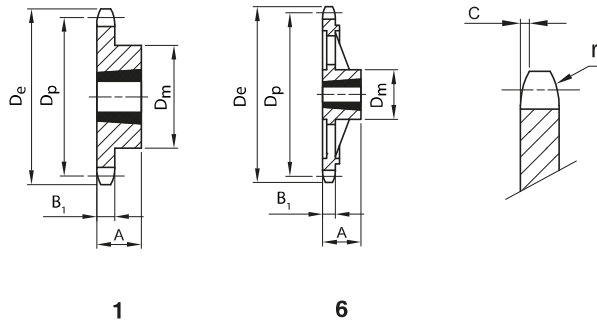


Simplex sprocket for SER-SIT® taper bushing

for chain according to DIN 8187 - ISO/R 606

ISO 06B-1 Pitch 3/8" x 7/32"

SPROCKET	[mm]
Tooth radius r_3	10
Radius width C	1
Tooth width B_1	5,3
CHAIN	[mm]
Pitch	9,525
Internal width	5,72
Roller \varnothing	6,35



Z	D _e [mm]	D _p [mm]	D _m [mm]	A [mm]	SER-SIT® taper bushing	Fig.	W [kg]	Part Number
17	55,5	51,83	45	22	1008	1	0,11	QPBS06B1-017
18	58,6	54,85	45	22	1008	1	0,14	QPBS06B1-018
19	61,6	57,86	45	22	1008	1	0,15	QPBS06B1-019
20	64,6	60,89	46	22	1008	1	0,16	QPBS06B1-020
21	67,6	63,90	46	22	1008	1	0,18	QPBS06B1-021
22	70,6	66,93	55	22	1108	1	0,25	QPBS06B1-022
23	73,7	69,95	63	25	1210	1	0,27	QPBS06B1-023
24	76,7	72,97	63	25	1210	1	0,30	QPBS06B1-024
25	79,7	75,99	63	25	1210	1	0,32	QPBS06B1-025
26	82,7	79,02	63	25	1210	1	0,33	QPBS06B1-026
27	85,7	82,04	63	25	1210	1	0,34	QPBS06B1-027
28	88,8	85,07	63	25	1210	1	0,37	QPBS06B1-028
30	94,8	91,12	63	25	1210	1	0,39	QPBS06B1-030
38	119,0	115,34	70	25	1210	1	0,65	QPBS06B1-038
45	141,1	136,54	70	25	1210	1	1,01	QPBS06B1-045
57*	177,5	172,91	83	25	1210	6	1,34	QPBS06B1-057
76*	235,1	230,49	83	25	1210	6	1,84	QPBS06B1-076

Material	Steel C45
	*Cast Iron EN-GJL-200
D _e	External diameter
D _p	Pitch diameter
D _m	Hub diameter
W	Weight

ISO simplex sprockets for bushing

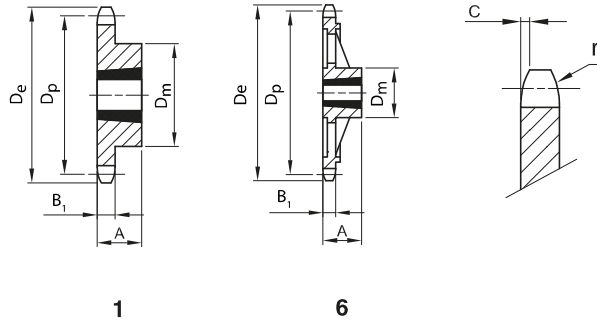
Simplex sprocket for SER-SIT® taper bushing

for chain according to DIN 8187 - ISO/R 606



ISO 08B-1 Pitch 1/2" x 5/16"

SPROCKET	[mm]
Tooth radius r_3	13
Radius width C	1,3
Tooth width B_1	7,2
CHAIN	[mm]
Pitch	12,7
Internal width	7,75
Roller ϕ	8,51



Z	De [mm]	Dp [mm]	Dm [mm]	A [mm]	SER-SIT® taper bushing	Fig.	W [kg]	Part Number
15	65,9	61,09	45	22	1008	1	0,16	QPBS08B1-015
16	69,9	65,10	50	22	1108	1	0,20	QPBS08B1-016
17	74,0	69,11	60	25	1210	1	0,22	QPBS08B1-017
18	78,0	73,14	60	25	1210	1	0,27	QPBS08B1-018
19	82,0	77,16	63	25	1210	1	0,33	QPBS08B1-019
20	86,0	81,19	67	25	1610	1	0,27	QPBS08B1-020
21	90,1	85,22	71	25	1610	1	0,36	QPBS08B1-021
22	94,1	89,24	71	25	1610	1	0,36	QPBS08B1-022
23	98,1	93,27	76	25	1610	1	0,50	QPBS08B1-023
24	102,1	97,29	76	25	1610	1	0,53	QPBS08B1-024
25	106,2	101,33	76	25	1610	1	0,56	QPBS08B1-025
26	110,2	105,36	76	25	1610	1	0,60	QPBS08B1-026
27	114,2	109,40	76	25	1610	1	0,63	QPBS08B1-027
28	118,3	113,42	90	32	2012	1	0,77	QPBS08B1-028
30	126,3	121,50	90	32	2012	1	0,91	QPBS08B1-030
38	158,6	153,80	90	32	2012	1	1,25	QPBS08B1-038
45	188,6	182,07	111	32	2012	1	1,68	QPBS08B1-045
57*	237,1	230,54	111	32	2012	6	2,78	QPBS08B1-057
76*	313,9	307,33	111	32	2012	6	3,81	QPBS08B1-076

Material	Steel C45
	*Cast Iron EN-GJL-200
De	External diameter
Dp	Pitch diameter
Dm	Hub diameter
W	Weight

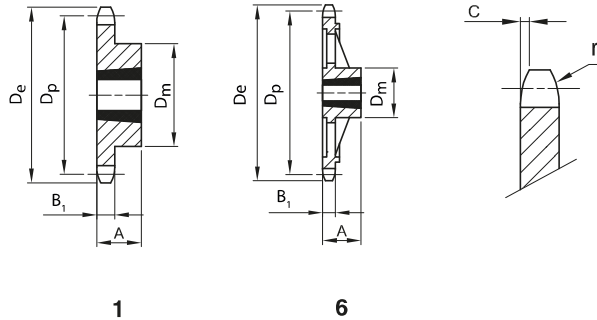
Simplex sprocket for SER-SIT® taper bushing

for chain according to DIN 8187 - ISO/R 606



ISO 10B-1 Pitch 5/8" x 3/8"

SPROCKET	[mm]
Tooth radius r_3	16
Radius width C	1,6
Tooth width B_1	9,1
CHAIN	[mm]
Pitch	15,875
Internal width	9,65
Roller ϕ	10,16



Z	De [mm]	Dp [mm]	Dm [mm]	A [mm]	SER-SIT® taper bushing	Fig.	W [kg]	Part Number
13	73,2	66,33	47	22	1008	1	0,23	QPBS10B1-013
14	78,2	71,34	52	22	1108	1	0,27	QPBS10B1-014
15	83,2	76,35	60	25	1210	1	0,30	QPBS10B1-015
16	88,3	81,37	63	25	1210	1	0,38	QPBS10B1-016
17	93,3	86,39	71	25	1610	1	0,38	QPBS10B1-017
18	98,3	91,42	71	25	1610	1	0,43	QPBS10B1-018
19	103,3	96,44	75	25	1610	1	0,54	QPBS10B1-019
20	108,4	101,49	76	25	1610	1	0,61	QPBS10B1-020
21	113,4	106,51	76	25	1610	1	0,65	QPBS10B1-021
22	118,4	111,55	76	25	1610	1	0,72	QPBS10B1-022
23	123,5	116,58	76	25	1610	1	0,77	QPBS10B1-023
24	128,5	121,62	90	32	2012	1	0,98	QPBS10B1-024
25	133,6	126,66	90	32	2012	1	1,05	QPBS10B1-025
26	138,6	131,70	90	32	2012	1	1,11	QPBS10B1-026
27	143,6	136,74	90	32	2012	1	1,17	QPBS10B1-027
28	148,7	141,78	90	32	2012	1	1,29	QPBS10B1-028
30	158,8	151,87	90	32	2012	1	1,40	QPBS10B1-030
38	199,1	192,23	100	32	2012	1	2,43	QPBS10B1-038
45	236,0	227,58	111	32	2012	1	3,55	QPBS10B1-045
57*	296,6	288,18	111	32	2012	6	4,28	QPBS10B1-057
76*	392,5	384,16	111	32	2012	6	5,95	QPBS10B1-076

Material	Steel C45
	*Cast Iron EN-GJL-200
De	External diameter
Dp	Pitch diameter
Dm	Hub diameter
W	Weight

ISO simplex sprockets for bushing

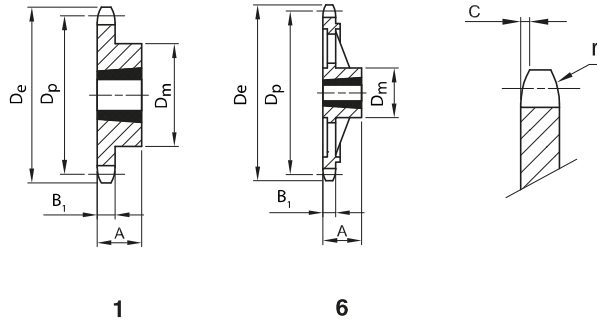
Simplex sprocket for SER-SIT® taper bushing

for chain according to DIN 8187 - ISO/R 606



ISO 12B-1 Pitch 3/4" x 7/16"

SPROCKET	[mm]
Tooth radius r_3	19
Radius width C	2
Tooth width B_1	11,1
CHAIN	[mm]
Pitch	19,05
Internal width	11,68
Roller ϕ	12,07



Z	De [mm]	Dp [mm]	Dm [mm]	A [mm]	SER-SIT® taper bushing	Fig.	W [kg]	Part Number
13	87,8	79,60	60	25	1210	1	0,35	QPBS12B1-013
14	93,8	85,61	67	25	1610	1	0,40	QPBS12B1-014
15	99,8	91,62	70	25	1610	1	0,44	QPBS12B1-015
16	105,8	97,65	71	25	1610	1	0,53	QPBS12B1-016
17	111,9	103,67	76	25	1610	1	0,66	QPBS12B1-017
18	117,9	109,71	90	32	2012	1	0,86	QPBS12B1-018
19	123,9	115,73	90	32	2012	1	0,94	QPBS12B1-019
20	130,0	121,78	90	32	2012	1	1,04	QPBS12B1-020
21	136,0	127,81	102	44	2517	1	1,24	QPBS12B1-021
22	142,0	133,86	108	44	2517	1	1,60	QPBS12B1-022
23	148,1	139,90	108	44	2517	1	1,70	QPBS12B1-023
24	154,1	145,94	108	44	2517	1	1,81	QPBS12B1-024
25	160,2	151,99	108	44	2517	1	1,93	QPBS12B1-025
26	166,2	158,04	108	44	2517	1	2,04	QPBS12B1-026
27	172,3	164,09	108	44	2517	1	2,14	QPBS12B1-027
28	178,3	170,13	108	44	2517	1	2,37	QPBS12B1-028
30	190,4	182,24	108	44	2517	1	2,60	QPBS12B1-030
38	238,9	230,69	108	44	2517	1	3,93	QPBS12B1-038
45	283,2	273,10	124	44	2517	1	5,52	QPBS12B1-045
57*	355,9	345,81	124	44	2517	6	6,48	QPBS12B1-057
76*	471,1	460,99	124	44	2517	6	9,71	QPBS12B1-076

Material	Steel C45
	*Cast Iron EN-GJL-200
De	External diameter
Dp	Pitch diameter
Dm	Hub diameter
W	Weight

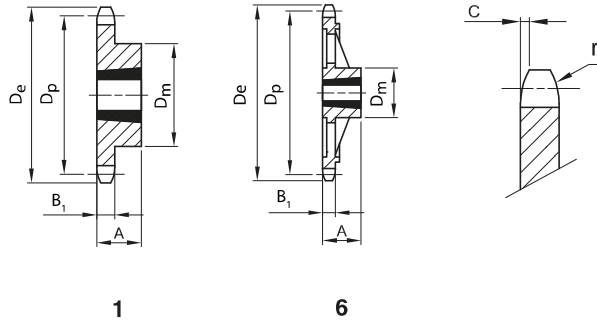
Simplex sprocket for SER-SIT® taper bushing

for chain according to DIN 8187 - ISO/R 606



ISO 16B-1 Pitch 1" x 17,02 mm

SPROCKET		[mm]
Tooth radius r_3		26
Radius width C		2,5
Tooth width B_1		16,2
CHAIN		[mm]
Pitch		25,4
Internal width		17,02
Roller ϕ		15,88



Z	De [mm]	Dp [mm]	Dm [mm]	A [mm]	SER-SIT® taper bushing	Fig.	W [kg]	Part Number
13	117,7	106,13	73	38	1615	1	0,98	QPBS16B1-013
14	125,7	114,15	75	38	1615	1	1,14	QPBS16B1-014
15	133,7	122,16	76	38	1615	1	1,30	QPBS16B1-015
16	141,8	130,20	90	32	2012	1	1,40	QPBS16B1-016
17	149,8	138,23	90	32	2012	1	1,59	QPBS16B1-017
18	157,8	146,28	108	44	2517	1	2,10	QPBS16B1-018
19	165,9	154,31	110	44	2517	1	2,29	QPBS16B1-019
20	173,9	162,38	110	44	2517	1	2,60	QPBS16B1-020
21	182,0	170,42	110	44	2517	1	2,81	QPBS16B1-021
22	190,1	178,48	110	44	2517	1	3,10	QPBS16B1-022
23	198,1	186,53	110	44	2517	1	3,38	QPBS16B1-023
24	206,2	194,59	110	44	2517	1	3,70	QPBS16B1-024
25	214,2	202,66	110	44	2517	1	3,97	QPBS16B1-025
26	222,3	210,72	110	44	2517	1	4,26	QPBS16B1-026
27	230,4	218,79	110	44	2517	1	4,55	QPBS16B1-027
28	238,4	226,85	110	44	2517	1	5,26	QPBS16B1-028
30	254,6	242,99	120	44	2517	1	5,97	QPBS16B1-030
38	319,2	307,59	160	51	3020	1	8,73	QPBS16B1-038
45	377,9	364,12	160	51	3020	1	12,49	QPBS16B1-045
57*	474,9	461,07	160	51	3020	6	13,87	QPBS16B1-057
76*	628,4	614,65	160	51	3020	6	22,63	QPBS16B1-076

Material	Steel C45
	*Cast Iron EN-GJL-200
De	External diameter
Dp	Pitch diameter
Dm	Hub diameter
W	Weight

ISO simplex sprockets for bushing

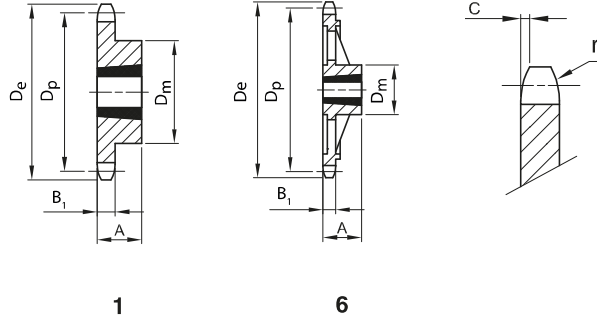
Simplex sprocket for SER-SIT® taper bushing

for chain according to DIN 8187 - ISO/R 606



ISO 20B-1 Pitch 1"1/4 x 3/4"

SPROCKET	[mm]
Tooth radius r_3	32
Radius width C	3,5
Tooth width B_1	18,5
CHAIN	[mm]
Pitch	31,75
Internal width	19,56
Roller ϕ	19,05



Z	D_e [mm]	D_p [mm]	D_m [mm]	A [mm]	SER-SIT® taper bushing	Fig.	W [kg]	Part Number
12	137,0	122,68	90	32	1615	1	1,90	QPBS20B1-012
13	147,5	132,65	90	32	2012	1	1,50	QPBS20B1-013
14	157,6	142,68	110	44	2517	1	2,40	QPBS20B1-014
15	167,7	152,72	110	44	2517	1	3,39	QPBS20B1-015
16	177,7	162,75	110	44	2517	1	4,23	QPBS20B1-016
17	187,7	172,78	110	44	2517	1	5,07	QPBS20B1-017
18	197,8	182,85	110	44	2517	1	5,91	QPBS20B1-018
19	207,9	192,91	110	44	2517	1	6,75	QPBS20B1-019
20	217,9	202,98	110	44	2517	1	7,23	QPBS20B1-020
21	228,0	213,04	120	44	2517	1	7,70	QPBS20B1-021
23	248,2	233,17	120	44	2517	1	8,78	QPBS20B1-023
25	268,4	253,33	120	44	2517	1	9,50	QPBS20B1-025
30	318,7	303,75	160	51	3020	1	11,60	QPBS20B1-030
38*	399,4	384,49	160	51	3020	6	15,80	QPBS20B1-038
57*	592,3	576,36	160	51	3020	6	17,90	QPBS20B1-057
76*	784,3	768,32	160	51	3020	6	25,00	QPBS20B1-076

Material	Steel C45
	*Cast Iron EN-GJL-200
D_e	External diameter
D_p	Pitch diameter
D_m	Hub diameter
W	Weight

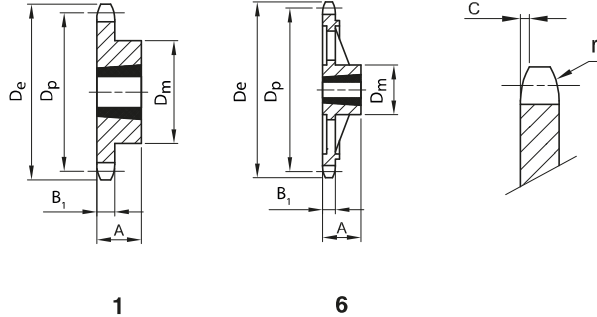
Simplex sprocket for SER-SIT® taper bushing

for chain according to DIN 8187 - ISO/R 606



ISO 24B-1 Pitch 1"1/2 x 1"

SPROCKET	[mm]
Tooth radius r_3	38
Radius width C	4
Tooth width B_1	24,1
CHAIN	[mm]
Pitch	38,1
Internal width	25,4
Roller ϕ	25,4



Z	De [mm]	Dp [mm]	Dm [mm]	A [mm]	SER-SIT® taper bushing	Fig.	W [kg]	Part Number
11	149,0	135,21	90	32	2012	1	1,70	QPBS24B1-011
12	161,0	147,22	90	32	2012	1	2,16	QPBS24B1-012
13	173,0	159,18	110	44	2517	1	2,77	QPBS24B1-013
14	185,0	171,22	120	44	2517	1	3,60	QPBS24B1-014
15	197,0	183,26	120	44	2517	1	4,20	QPBS24B1-015
17	221,0	207,34	140	51	3020	1	5,40	QPBS24B1-017
18	233,0	219,42	140	51	3020	1	6,10	QPBS24B1-018
19	245,5	231,49	140	51	3020	1	6,85	QPBS24B1-019
20	257,5	243,57	140	51	3020	1	7,76	QPBS24B1-020
21	270,5	255,65	140	51	3020	1	8,52	QPBS24B1-021
23	294,5	279,80	160	51	3020	1	11,31	QPBS24B1-023
25	319,0	304,00	160	51	3020	1	13,33	QPBS24B1-025
30	379,5	364,50	160	51	3020	1	19,00	QPBS24B1-030
38*	476,5	461,39	160	76	3030	6	24,00	QPBS24B1-038
57*	707,5	691,63	160	76	3030	6	45,00	QPBS24B1-057
76*	939,0	921,98	175	89	3535	6	70,00	QPBS24B1-076

Material	Steel C45
	*Cast Iron EN-GJL-200
De	External diameter
Dp	Pitch diameter
Dm	Hub diameter
W	Weight

ES ELITESYSTEM® DUPLEX SPROCKETS FOR SER-SIT® TAPER BUSHING

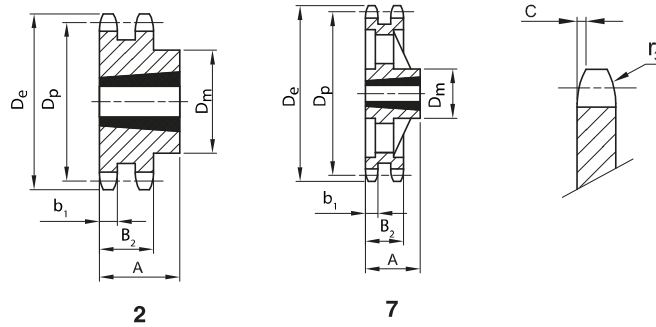


Duplex sprocket for SER-SIT® taper bushing

for chain according to DIN 8187 - ISO/R 606

ISO 06B-2 Pitch 3/8" x 7/32"

SPROCKET	[mm]
Tooth radius r_3	10
Radius width C	1
Tooth width b_1	5,2
Tooth width B_2	15,4
CHAIN	[mm]
Pitch	9,525
Internal width	5,72
Roller ϕ	6,35



Z	D _e [mm]	D _p [mm]	D _m [mm]	A [mm]	SER-SIT® taper bushing	Fig.	W [kg]	Part Number
17	55,5	51,83	41	22	1008	2	0,11	QPBD06B2-017
18	58,6	54,85	43	22	1008	2	0,15	QPBD06B2-018
19	61,6	57,86	46	22	1008	2	0,18	QPBD06B2-019
20	64,6	60,89	48	22	1008	2	0,22	QPBD06B2-020
21	67,6	63,90	49	22	1008	2	0,16	QPBD06B2-021
22	70,6	66,93	52	22	1108	2	0,28	QPBD06B2-022
23	73,7	69,95	59	25	1210	2	0,27	QPBD06B2-023
24	76,7	72,97	61	25	1210	2	0,32	QPBD06B2-024
25	79,7	75,99	64	25	1210	2	0,37	QPBD06B2-025
26	82,7	79,02	65	25	1210	2	0,44	QPBD06B2-026
27	85,7	82,04	70	25	1210	2	0,50	QPBD06B2-027
28	88,8	85,07	70	25	1210	2	0,57	QPBD06B2-028
30	94,8	91,12	75	25	1210	2	0,68	QPBD06B2-030
38	119,0	115,34	80	25	1610	2	1,03	QPBD06B2-038
57*	177,5	172,91	90	25	1610	7	1,16	QPBD06B2-057
76*	235,1	230,49	90	25	1610	7	2,19	QPBD06B2-076

Material	Steel C45
	*Cast Iron EN-GJL-200
D _e	External diameter
D _p	Pitch diameter
D _m	Hub diameter
W	Weight

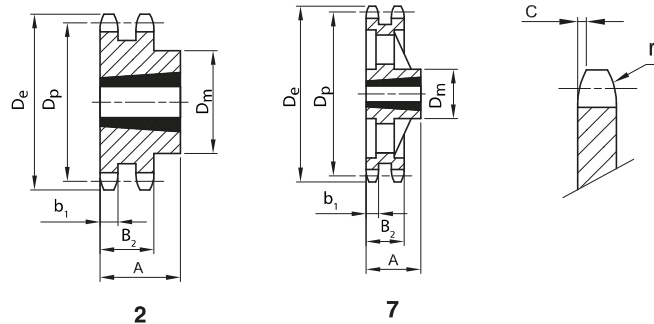
Duplex sprocket for SER-SIT® taper bushing

for chain according to DIN 8187 - ISO/R 606



ISO 08B-2 Pitch 1/2" x 5/16"

SPROCKET	[mm]
Tooth radius r_3	13
Radius width C	1,3
Tooth width b_1	7
Tooth width B_2	21
CHAIN	[mm]
Pitch	12,7
Internal width	7,75
Roller ϕ	8,51



Z	D_e [mm]	D_p [mm]	D_m [mm]	A [mm]	SER-SIT® taper bushing	Fig.	W [kg]	Part Number
15	65,9	61,09	46	22	1008	2	0,22	QPBD08B2-015
16	69,9	65,10	50	22	1108	2	0,22	QPBD08B2-016
17	74,0	69,11	56	25	1210	2	0,23	QPBD08B2-017
18	78,0	73,14	60	25	1210	2	0,30	QPBD08B2-018
19	82,0	77,16	62	25	1210	2	0,38	QPBD08B2-019
20	86,0	81,19	66	25	1610	2	0,45	QPBD08B2-020
21	90,1	85,22	70	25	1610	2	0,50	QPBD08B2-021
22	94,1	89,24	76	25	1610	2	0,55	QPBD08B2-022
23	98,1	93,27	79	25	1610	2	0,62	QPBD08B2-023
24	102,1	97,29	84	32	2012	2	0,68	QPBD08B2-024
25	106,2	101,33	87	32	2012	2	0,72	QPBD08B2-025
26	110,2	105,36	87	32	2012	2	0,82	QPBD08B2-026
27	114,2	109,40	87	32	2012	2	0,92	QPBD08B2-027
28	118,3	113,42	87	32	2012	2	1,10	QPBD08B2-028
30	126,3	121,50	87	32	2012	2	1,24	QPBD08B2-030
38	158,6	153,80	100	32	2012	2	2,50	QPBD08B2-038
57*	237,1	230,54	111	32	2012	7	3,64	QPBD08B2-057
76*	313,9	307,33	111	32	2012	7	5,09	QPBD08B2-076

Material	Steel C45 *Cast Iron EN-GJL-200
D_e	External diameter
D_p	Pitch diameter
D_m	Hub diameter
W	Weight

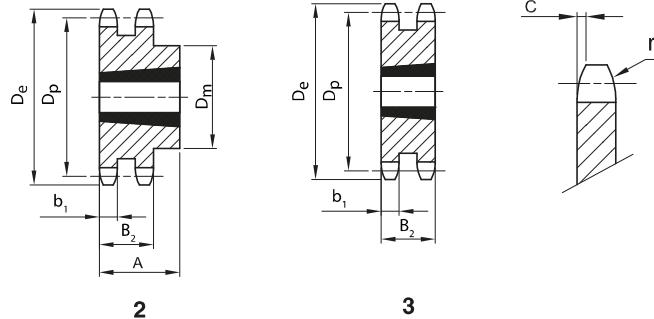
Duplex sprocket for SER-SIT® taper bushing

for chain according to DIN 8187 - ISO/R 606

ISO 10B-2 Pitch 5/8" x 3/8"



SPROCKET	[mm]
Tooth radius r_3	16
Radius width C	1,6
Tooth width b_1	9
Tooth width B_2	25,5
CHAIN	[mm]
Pitch	15,875
Internal width	9,65
Roller \varnothing	10,16



Z	D_e [mm]	D_p [mm]	D_m [mm]	A [mm]	SER-SIT® taper bushing	Fig.	W [kg]	Part Number
15	83,2	76,35	-	25,5	1210	3	0,38	QPBD10B2-015
16	88,3	81,37	-	25,5	1610	3	0,42	QPBD10B2-016
17	93,3	86,39	-	25,5	1610	3	0,47	QPBD10B2-017
18	98,3	91,42	-	25,5	1610	3	0,60	QPBD10B2-018
19	103,3	96,44	-	25,5	1610	3	0,72	QPBD10B2-019
20	108,4	101,49	-	25,5	1610	3	0,87	QPBD10B2-020
21	113,4	106,51	-	25,5	1610	3	1,01	QPBD10B2-021
22	118,4	111,55	-	25,5	1610	3	1,18	QPBD10B2-022
23	123,5	116,58	-	25,5	1610	3	1,35	QPBD10B2-023
24	128,5	121,62	90	32,0	2012	2	1,45	QPBD10B2-024
25	133,6	126,66	90	32,0	2012	2	1,55	QPBD10B2-025
26	138,6	131,70	90	32,0	2012	2	1,75	QPBD10B2-026
27	143,6	136,74	90	32,0	2012	2	1,98	QPBD10B2-027
28	148,7	141,78	90	32,0	2012	2	2,30	QPBD10B2-028
30	158,8	151,87	90	32,0	2012	2	2,63	QPBD10B2-030

Material	Steel C45
D_e	External diameter
D_p	Pitch diameter
D_m	Hub diameter
W	Weight

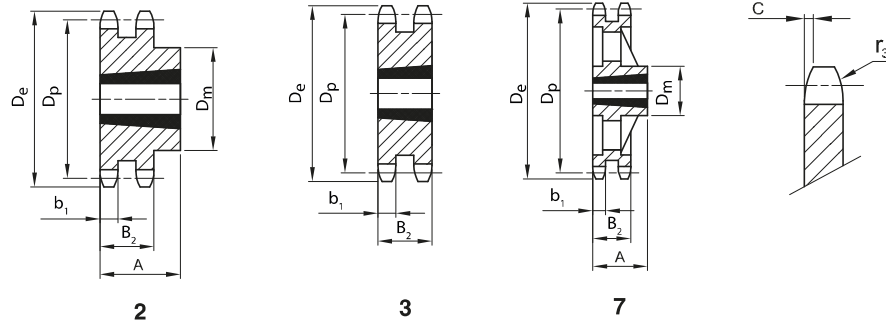
Duplex sprocket for SER-SIT® taper bushing

for chain according to DIN 8187 - ISO/R 606

ISO 12B-2 Pitch 3/4" x 7/16"



SPROCKET	[mm]
Tooth radius r_3	19
Radius width C	2
Tooth width b_1	10,8
Tooth width B_2	30,3
CHAIN	[mm]
Pitch	19,05
Internal width	11,68
Roller ϕ	12,07



Z	De [mm]	Dp [mm]	Dm [mm]	A [mm]	SER-SIT® taper bushing	Fig.	W [kg]	Part Number
15	99,8	91,62	-	30,3	1610	3	0,68	QPBD12B2-015
16	105,8	97,65	-	30,3	1610	3	0,89	QPBD12B2-016
17	111,9	103,67	-	30,3	1610	3	1,14	QPBD12B2-017
18	117,9	109,71	90	32,0	2012	2	1,18	QPBD12B2-018
19	123,9	115,73	90	32,0	2012	2	1,24	QPBD12B2-019
20	130,0	121,78	108	44,0	2517	2	1,40	QPBD12B2-020
21	136,0	127,81	108	44,0	2517	2	1,68	QPBD12B2-021
22	142,0	133,86	108	44,0	2517	2	1,99	QPBD12B2-022
23	148,1	139,90	108	44,0	2517	2	2,24	QPBD12B2-023
24	154,1	145,94	108	44,0	2517	2	2,54	QPBD12B2-024
25	160,2	151,99	108	44,0	2517	2	2,87	QPBD12B2-025
26	166,2	158,04	108	44,0	2517	2	3,17	QPBD12B2-026
27	172,3	164,09	108	44,0	2517	2	3,55	QPBD12B2-027
28	178,3	170,13	108	44,0	2517	2	4,10	QPBD12B2-028
30	190,4	182,24	108	44,0	2517	2	4,62	QPBD12B2-030
38	238,9	230,69	140	51,0	3020	2	8,11	QPBD12B2-038
57*	355,9	345,81	160	51,0	3020	7	10,28	QPBD12B2-057
76*	471,1	460,99	160	51,0	3020	7	15,24	QPBD12B2-076

Material	Steel C45
	*Cast Iron EN-GJL-200
De	External diameter
Dp	Pitch diameter
Dm	Hub diameter
W	Weight

ISO duplex sprockets for bushing

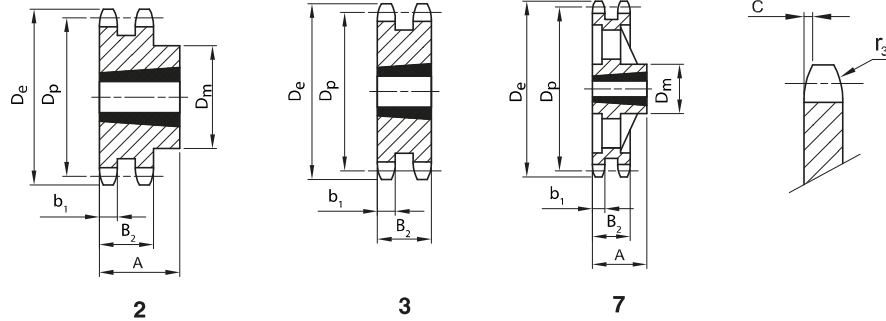
Duplex sprocket for SER-SIT® taper bushing

for chain according to DIN 8187 - ISO/R 606

ISO 16B-2 Pitch 1" x 17,02 mm



SPROCKET	[mm]
Tooth radius r_3	26
Radius width C	2,5
Tooth width b_1	15,8
Tooth width B_2	47,7
CHAIN	[mm]
Pitch	25,4
Internal width	17,02
Roller \varnothing	15,88



Z	De [mm]	Dp [mm]	Dm [mm]	A [mm]	SER-SIT® taper bushing	Fig.	W [kg]	Part Number
15	133,7	122,16	-	47,7	2012	3	2,11	QPBD16B2-015
16	141,8	130,20	-	47,7	2517	3	2,25	QPBD16B2-016
17	149,8	138,23	-	47,7	2517	3	2,53	QPBD16B2-017
18	157,8	146,28	-	47,7	2517	3	3,10	QPBD16B2-018
19	165,9	154,31	-	47,7	2517	3	3,80	QPBD16B2-019
20	173,9	162,38	-	47,7	2517	3	4,10	QPBD16B2-020
21	182,0	170,42	140	51,0	3020	2	4,15	QPBD16B2-021
22	190,1	178,48	140	51,0	3020	2	4,90	QPBD16B2-022
23	198,1	186,53	140	51,0	3020	2	5,69	QPBD16B2-023
24	206,2	194,59	140	51,0	3020	2	6,00	QPBD16B2-024
25	214,2	202,66	140	51,0	3020	2	6,38	QPBD16B2-025
26	222,3	210,72	140	51,0	3020	2	7,80	QPBD16B2-026
27	230,4	218,79	140	51,0	3020	2	9,27	QPBD16B2-027
28	238,4	226,85	140	51,0	3020	2	11,40	QPBD16B2-028
30	254,6	242,99	140	76,0	3030	2	13,50	QPBD16B2-030
38*	319,2	307,59	160	76,0	3030	7	14,94	QPBD16B2-038
45*	377,9	364,12	160	76,0	3030	7	19,80	QPBD16B2-045
57*	474,9	461,07	175	89,0	3535	7	22,00	QPBD16B2-057
76*	628,4	614,65	175	89,0	3535	7	37,00	QPBD16B2-076

Material	Steel C45
	*Cast Iron EN-GJL-200
De	External diameter
Dp	Pitch diameter
Dm	Hub diameter
W	Weight

Duplex sprocket for SER-SIT® taper bushing

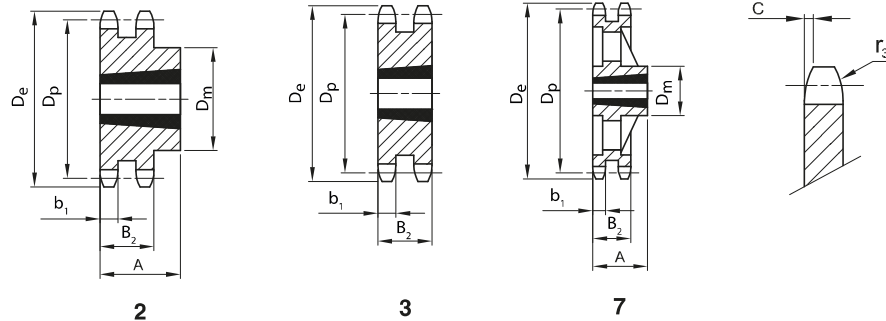
for chain according to DIN 8187 - ISO/R 606

ISO 20B-2

Pitch 1"1/4 x 3/4"



SPROCKET	[mm]
Tooth radius r_3	32
Radius width C	3,5
Tooth width b_1	18,2
Tooth width B_2	54,6
CHAIN	[mm]
Pitch	31,75
Internal width	19,56
Roller \varnothing	19,05



Z	D_e [mm]	D_p [mm]	D_m [mm]	A [mm]	SER-SIT® taper bushing	Fig.	W [kg]	Part Number
13	147,5	132,65	-	54,6	2517	3	2,20	QPBD20B2-013
15	167,7	152,72	-	54,6	2517	3	4,00	QPBD20B2-015
17	187,7	172,78	-	54,6	2517	3	5,00	QPBD20B2-017
19	207,9	192,91	140	76,0	3030	2	6,30	QPBD20B2-019
21	228,0	213,04	140	76,0	3030	2	8,80	QPBD20B2-021
23	248,2	233,17	140	76,0	3030	2	9,80	QPBD20B2-023
25	268,4	253,33	140	76,0	3030	2	10,50	QPBD20B2-025
30	318,7	303,75	160	76,0	3030	2	14,00	QPBD20B2-030
38*	399,4	384,49	160	76,0	3030	7	22,00	QPBD20B2-038
57*	592,3	576,36	175	89,0	3535	7	37,00	QPBD20B2-057
76*	784,3	768,32	175	89,0	3535	7	62,00	QPBD20B2-076

HAJTASTECHNIKA  hu

ISO duplex sprockets for bushing

Material	Steel C45 *Cast Iron EN-GJL-200
D_e	External diameter
D_p	Pitch diameter
D_m	Hub diameter
W	Weight

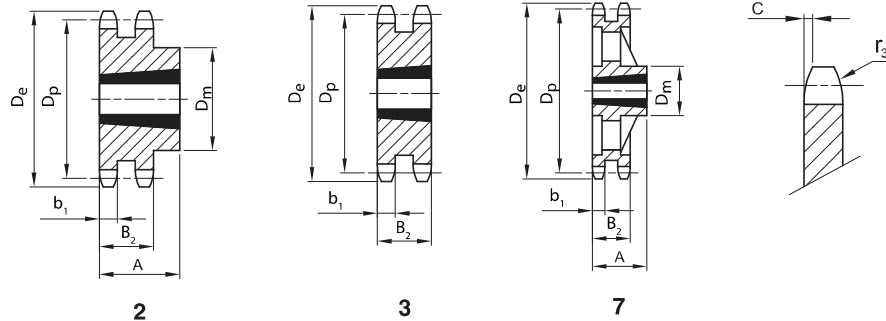
Duplex sprocket for SER-SIT® taper bushing

for chain according to DIN 8187 - ISO/R 606

ISO 24B-2 Pitch 1"1/2 x 1"



SPROCKET	[mm]
Tooth radius r_3	38
Radius width C	4
Tooth width b_1	23,6
Tooth width B_2	72
CHAIN	[mm]
Pitch	38,1
Internal width	25,4
Roller \varnothing	25,4



Z	D_e [mm]	D_p [mm]	D_m [mm]	A [mm]	SER-SIT® taper bushing	Fig.	W [kg]	Part Number
13	173,0	159,18	-	72	2517	3	5,30	QPBD24B2-013
15	197,0	183,26	-	72	3020	3	6,60	QPBD24B2-015
17	221,0	207,34	-	72	3020	3	10,30	QPBD24B2-017
19	245,5	231,49	160	76	3030	2	14,80	QPBD24B2-019
21	270,5	255,65	160	76	3030	2	19,50	QPBD24B2-021
23	294,5	279,80	175	89	3535	2	24,00	QPBD24B2-023
25	319,0	304,00	175	89	3535	2	29,00	QPBD24B2-025
30	379,5	364,50	175	89	3535	2	40,00	QPBD24B2-030
38*	476,5	461,39	175	89	3535	7	44,00	QPBD24B2-038
57*	707,5	691,63	175	89	3535	7	72,00	QPBD24B2-057
76*	939,0	921,98	216	102	4040	7	107,00	QPBD24B2-076

HAJTASTECHNIKA hu

Material	Steel C45
	*Cast Iron EN-GJL-200
D_e	External diameter
D_p	Pitch diameter
D_m	Hub diameter
W	Weight

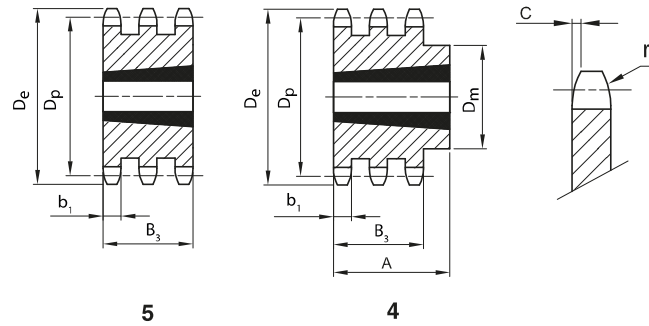
ES ELITESYSTEM® TRIPLEX SPROCKETS FOR SER-SIT® TAPER BUSHING



Triplex sprocket for SER-SIT® taper bushing for chain according to DIN 8187 - ISO/R 606

ISO 06B-3 Pitch 3/8" x 7/32"

SPROCKET	[mm]
Tooth radius r_3	10
Radius width C	1
Tooth width b_1	5,2
Tooth width B_3	25,6
CHAIN	[mm]
Pitch	9,525
Internal width	5,72
Roller \varnothing	6,35



Z	De [mm]	Dp [mm]	Dm [mm]	A [mm]	SER-SIT® taper bushing	Fig.	W [kg]	Part Number
17	55,5	51,83	-	25,6	1008	5	0,15	QPBT06B3-017
19	61,6	57,86	-	25,6	1008	5	0,24	QPBT06B3-019
21	67,6	63,90	-	25,6	1008	5	0,34	QPBT06B3-021
23	73,7	69,95	-	25,6	1210	5	0,30	QPBT06B3-023
25	79,7	75,99	-	25,6	1210	5	0,41	QPBT06B3-025
27	85,7	82,04	-	25,6	1210	5	0,55	QPBT06B3-027
30	94,8	91,12	79	38,0	1615	4	0,88	QPBT06B3-030
38	119,0	115,34	90	38,0	1615	4	1,75	QPBT06B3-038

HAJTASTECHNIKA  hu

ISO triplex sprockets for bushing

Material	Steel C45
De	External diameter
Dp	Pitch diameter
Dm	Hub diameter
W	Weight

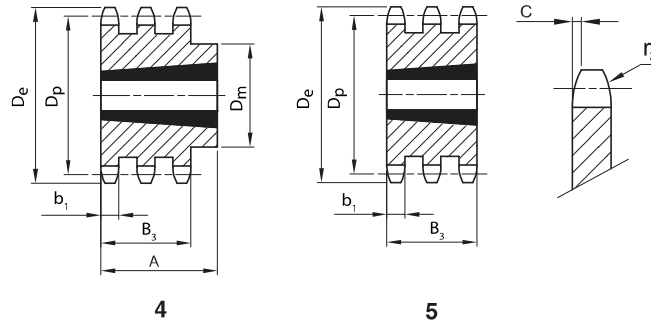
Triplex sprocket for SER-SIT® taper bushing

for chain according to DIN 8187 - ISO/R 606

ISO 08B-3 Pitch 1/2" x 5/16"



SPROCKET	[mm]
Tooth radius r_3	13
Radius width C	1,3
Tooth width b_1	7
Tooth width B_3	34,9
CHAIN	[mm]
Pitch	12,7
Internal width	7,75
Roller \varnothing	8,51



Z	D_e [mm]	D_p [mm]	D_m [mm]	A [mm]	SER-SIT® taper bushing	Fig.	W [kg]	Part Number
15	65,9	61,09	-	34,9	1008	5	0,36	QPBT08B3-015
17	74,0	69,11	-	34,9	1210	5	0,35	QPBT08B3-017
19	82,0	77,16	62	38,0	1215	4	0,61	QPBT08B3-019
21	90,1	85,22	70	38,0	1615	4	0,65	QPBT08B3-021
23	98,1	93,27	70	38,0	1615	4	0,93	QPBT08B3-023
25	106,2	101,33	-	34,9	2012	5	0,85	QPBT08B3-025
27	114,2	109,40	-	34,9	2012	5	1,18	QPBT08B3-027
30	126,3	121,50	-	34,9	2012	5	1,73	QPBT08B3-030
38	158,6	153,80	-	34,9	2012	5	3,53	QPBT08B3-038

HAJTASTECHNIKA hu

Material	Steel C45
D_e	External diameter
D_p	Pitch diameter
D_m	Hub diameter
W	Weight

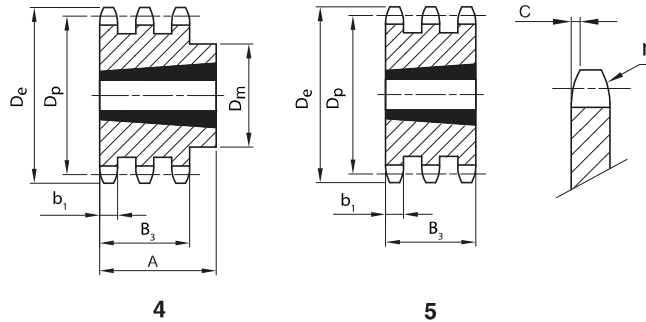
Triplex sprocket for SER-SIT® taper bushing

for chain according to DIN 8187 - ISO/R 606



ISO 10B-3 Pitch 5/8" x 3/8"

SPROCKET	[mm]
Tooth radius r_3	16
Radius width C	1,6
Tooth width b_1	9
Tooth width B_3	42,1
CHAIN	[mm]
Pitch	15,875
Internal width	9,65
Roller \varnothing	10,16



Z	De [mm]	Dp [mm]	Dm [mm]	A [mm]	SER-SIT® taper bushing	Fig.	W [kg]	Part Number
15	83,2	76,35	-	42,1	1215	5	0,63	QPBT10B3-015
17	93,3	86,39	-	42,1	1215	5	1,01	QPBT10B3-017
19	103,3	96,44	-	42,1	1615	5	1,19	QPBT10B3-019
21	113,4	106,51	-	42,1	1615	5	1,66	QPBT10B3-021
23	123,5	116,58	-	42,1	2012	5	1,78	QPBT10B3-023
25	133,6	126,66	105	44,0	2517	4	1,81	QPBT10B3-025
27	143,6	136,74	110	44,0	2517	4	2,45	QPBT10B3-027
30	158,8	151,87	120	44,0	2517	4	3,54	QPBT10B3-030

HAJTASTECHNIKA 

ISO triplex sprockets for bushing

Material	Steel C45
De	External diameter
Dp	Pitch diameter
Dm	Hub diameter
W	Weight

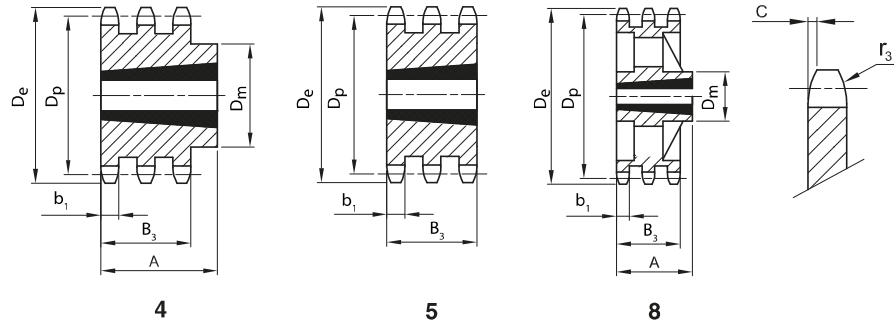
Triplex sprocket for SER-SIT® taper bushing

for chain according to DIN 8187 - ISO/R 606

ISO 12B-3 Pitch 3/4" x 7/16"



SPROCKET	[mm]
Tooth radius r_3	19
Radius width C	2
Tooth width b_1	10,8
Tooth width B_3	49,8
CHAIN	[mm]
Pitch	19,05
Internal width	11,68
Roller \varnothing	12,07



Z	De [mm]	Dp [mm]	Dm [mm]	A [mm]	SER-SIT® taper bushing	Fig.	W [kg]	Part Number
15	99,8	91,62	-	49,8	1615	5	1,11	QPBT12B3-015
17	111,9	103,67	-	49,8	1615	5	1,75	QPBT12B3-017
19	123,9	115,73	-	49,8	2012	5	1,99	QPBT12B3-019
21	136,0	127,81	-	49,8	2517	5	2,09	QPBT12B3-021
23	148,1	139,90	-	49,8	2517	5	3,00	QPBT12B3-023
25	160,2	151,99	-	49,8	2517	5	3,98	QPBT12B3-025
27	172,3	164,09	140	51,0	3020	4	3,90	QPBT12B3-027
30	190,4	182,24	140	51,0	3020	4	5,64	QPBT12B3-030
38	238,9	230,69	140	51,0	3020	4	11,58	QPBT12B3-038
57*	355,9	345,81	160	51,0	3020	8	13,23	QPBT12B3-057

HAJTASTECHNIKA hu

Material	Steel C45
	*Cast Iron EN-GJL-200
De	External diameter
Dp	Pitch diameter
Dm	Hub diameter
W	Weight

Triplex sprocket for SER-SIT® taper bushing

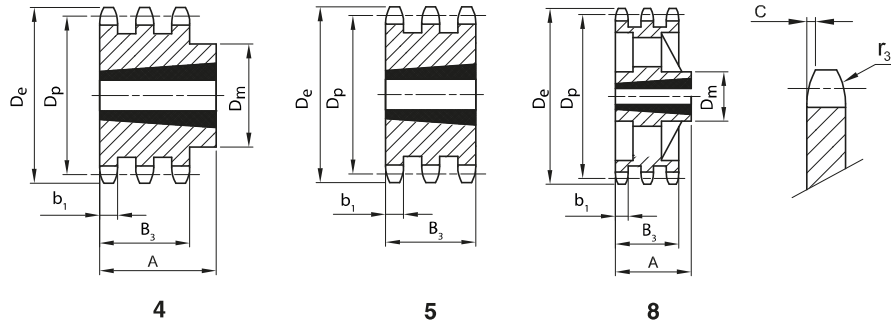
for chain according to DIN 8187 - ISO/R 606

ISO 16B-3

Pitch 1" x 17,02"



SPROCKET		[mm]
Tooth radius r_3	26	
Radius width C	2,5	
Tooth width b_1	15,8	
Tooth width B_3	79,6	
CHAIN		[mm]
Pitch	25,4	
Internal width	17,02	
Roller \varnothing	15,88	



Z	D_e [mm]	D_p [mm]	D_m [mm]	A [mm]	SER-SIT® taper bushing	Fig.	W [kg]	Part Number
17	149,8	138,23	-	79,6	2517	5	4,29	QPBT16B3-017
19	165,9	154,31	-	79,6	3030	5	4,36	QPBT16B3-019
21	182,0	170,42	-	79,6	3030	5	6,69	QPBT16B3-021
23	198,1	186,53	159	89,0	3535	4	7,80	QPBT16B3-023
25	214,2	202,66	175	89,0	3535	4	10,93	QPBT16B3-025
27	230,4	218,79	175	89,0	3535	4	14,06	QPBT16B3-027
30	254,6	242,99	175	89,0	3535	4	19,10	QPBT16B3-030
38*	319,2	307,59	175	89,0	3535	8	21,65	QPBT16B3-038
45*	377,9	364,12	175	89,0	3535	8	28,10	QPBT16B3-045
57*	474,9	461,07	216	102,0	4040	8	40,50	QPBT16B3-057
76*	628,4	614,65	216	102,0	4040	8	53,30	QPBT16B3-076

HAJTASTECHNIKA  hu

ISO triplex sprockets for bushing

Material	Steel C45
	*Cast Iron EN-GJL-200
D_e	External diameter
D_p	Pitch diameter
D_m	Hub diameter
W	Weight

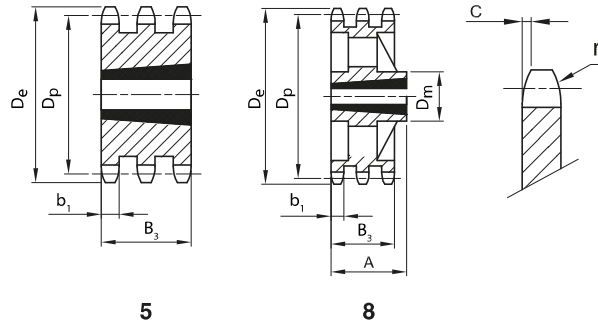
Triplex sprocket for SER-SIT® taper bushing

for chain according to DIN 8187 - ISO/R 606



ISO 20B-3 Pitch 1"1/4 x 3/4"

SPROCKET	[mm]
Tooth radius r_3	32
Radius width C	3,5
Tooth width b_1	18,2
Tooth width B_3	91
CHAIN	[mm]
Pitch	31,75
Internal width	19,56
Roller \varnothing	19,05



Z	D_e [mm]	D_p [mm]	D_m [mm]	A [mm]	SER-SIT® taper bushing	Fig.	W [kg]	Part Number
15	167,7	152,72	-	91	3020	5	4,43	QPBT20B3-015
17	187,7	172,78	-	91	3030	5	7,39	QPBT20B3-017
19	207,9	192,91	-	91	3030	5	11,65	QPBT20B3-019
21	228,0	213,04	-	91	3535	5	12,80	QPBT20B3-021
23	248,2	233,17	-	91	3535	5	17,38	QPBT20B3-023
25	268,4	253,33	-	91	3535	5	22,40	QPBT20B3-025
30	318,7	303,75	-	91	3535	5	36,50	QPBT20B3-030
38*	399,4	384,49	178	91	3535	8	28,00	QPBT20B3-038
57*	592,3	576,36	216	102	4040	8	42,00	QPBT20B3-057
76*	784,3	768,32	260	114	4545	8	85,00	QPBT20B3-076

HAJTASTECHNIKA hu

Material	Steel C45
	*Cast Iron EN-GJL-200
D_e	External diameter
D_p	Pitch diameter
D_m	Hub diameter
W	Weight

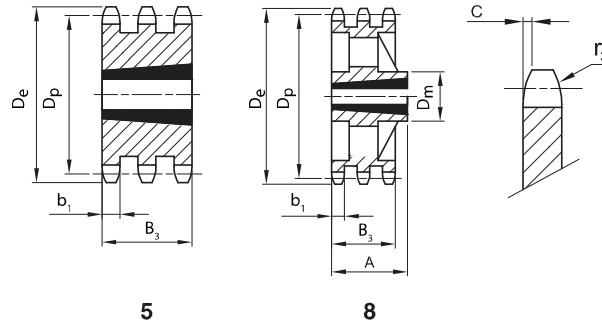
Triplex sprocket for SER-SIT® taper bushing

for chain according to DIN 8187 - ISO/R 606



ISO 24B-3 Pitch 1"1/2 x 1"

SPROCKET	[mm]
Tooth radius r_3	38
Radius width C	4
Tooth width b_1	23,6
Tooth width B_3	120,3
CHAIN	[mm]
Pitch	38,1
Internal width	25,4
Roller \varnothing	25,4



Z	De [mm]	Dp [mm]	Dm [mm]	A [mm]	SER-SIT® taper bushing	Fig.	W [kg]	Part Number
15	197,0	183,26	-	120,3	3030	5	20,00	QPBT24B3-015
17	221,0	207,34	-	120,3	3030	5	25,00	QPBT24B3-017
19	245,5	231,49	-	120,3	3535	5	30,00	QPBT24B3-019
21	270,5	255,65	-	120,3	4040	5	35,00	QPBT24B3-021
23	294,5	279,80	-	120,3	4040	5	44,00	QPBT24B3-023
25	319,0	304,00	-	120,3	4040	5	50,00	QPBT24B3-025
30	379,5	364,50	-	120,3	4040	5	60,00	QPBT24B3-030
38*	476,5	461,39	216	120,3	4040	8	66,00	QPBT24B3-038
57*	707,5	691,63	260	120,3	4545	8	120,00	QPBT24B3-057
76*	939,0	921,98	260	120,3	4545	8	131,00	QPBT24B3-076

HAJTASTECHNIKA 

ISO triplex sprockets for bushing

Material	Steel C45 *Cast Iron EN-GJL-200
De	External diameter
Dp	Pitch diameter
Dm	Hub diameter
W	Weight