



OMT4-IE1 63M1-2 0,18kW 230/400V 50Hz

DATASHEET

50Hz |

| | | | |
|------------------------------|---------------|-------------------|-----------------|
| Frame type: | aluminium | Connection: | Δ/Y |
| Model: | OMT4-IE1 | Run Capacitor: | |
| Output: | 0,18 kW | Start Capacitor: | |
| Rated voltage: | 230/400V | Rotor voltage: | |
| Frame: | 63 mm | Rotor connection: | |
| Poles: | 2 | Rotor current: | |
| Frequency: | 50 Hz | No load current: | |
| Rated speed: | 2720 RPM | Insulation class: | F |
| Rated current: | 0,87/0,5 A | Temp. rise: | 80 K |
| Locked rotor current(Ia/In): | 550% | Service factor: | 1 |
| Locked rotor torque(Ma/Mn): | 230% | Duty: | S8 |
| Breakdown torque(Ma/Mn): | 230% | Amb. temp.: | -20~40 °C |
| Mounting: | B3 | Altitude: | 1000 m |
| Noise level: | 61 dB | Protection: | IP55 |
| Approx. weight: | 4,5 kg | Cooling: | IC411 |
| Mom. of inertia: | 0,00031 kg/m2 | Vibration: | 1,6 mm/s |
| Slip: | 9,3% | Dir. rotation: | BOTH |
| Rated torque: | 0,63 Nm | Starting method: | DIRECT ON LINE |
| | | Coupling: | DIRECT |
| | | Load type: | PARABOLIC CURVE |

PERFORMANCE

| Output | 50% | 75% | 100% |
|----------------|-----|-----|------|
| Efficiency(%): | 60 | 64 | 66 |
| Power factor: | | | 0,8 |

STANDARDS

| | |
|----------------|----------------------|
| Specification: | IEC60034-1/GB755 |
| Test: | IEC60034-2/GB/T1032 |
| Noise | IEC60034-9/GB10069.3 |
| Vibration: | IEC60034-14/GB10068 |

BEARING

| | | |
|---------|-----------------------|----------------------|
| Bearing | NDE 6201 2RZ C3 | DE 6201 2RZ C3 |
|---------|-----------------------|----------------------|

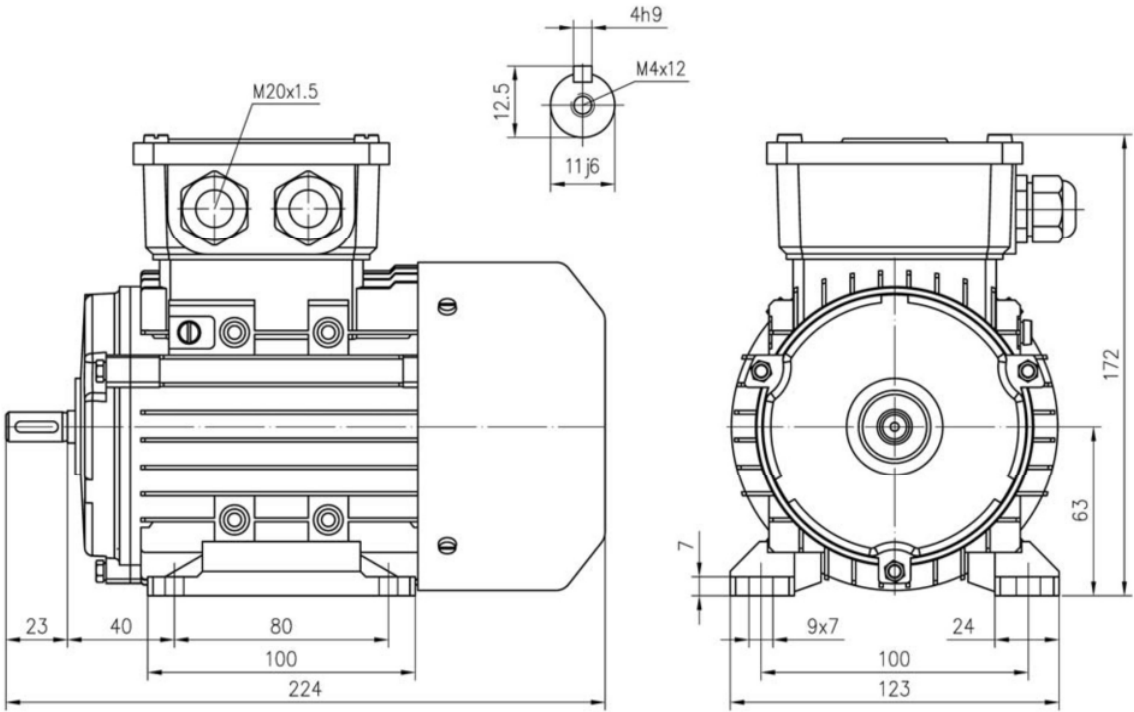
Regreasing int(h):

Grease amount(g):
Grease polyrexEM:

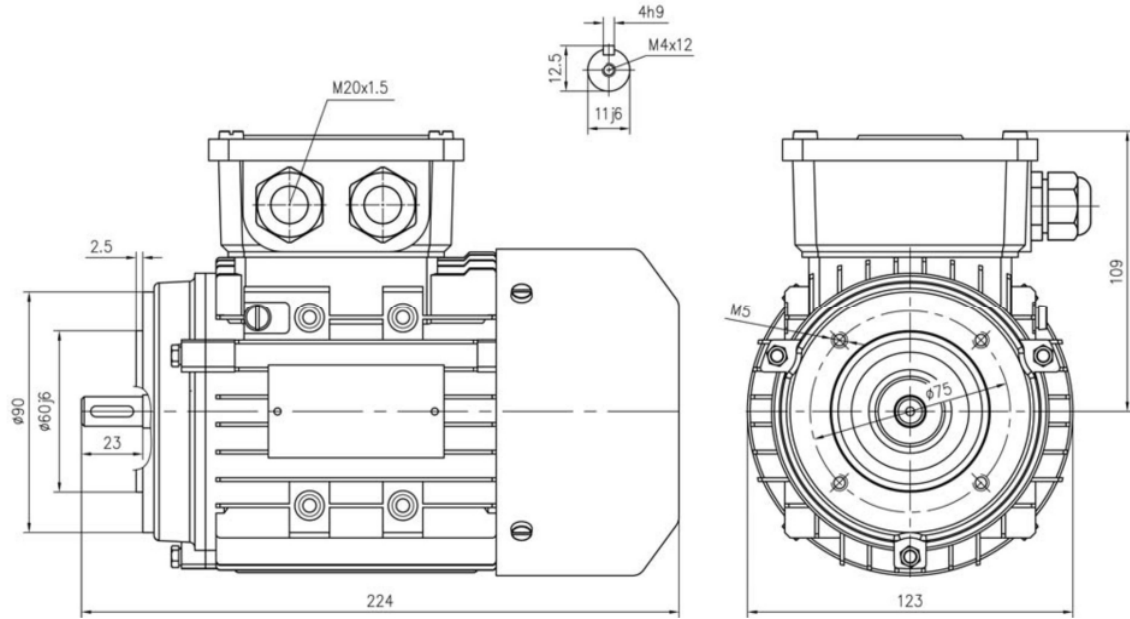
ACCESSORIES

PTC 150°C

DRAWING B3



DRAWING – B14S FLANGE



B5 FLANGE

