



# CRAFT BEARINGS

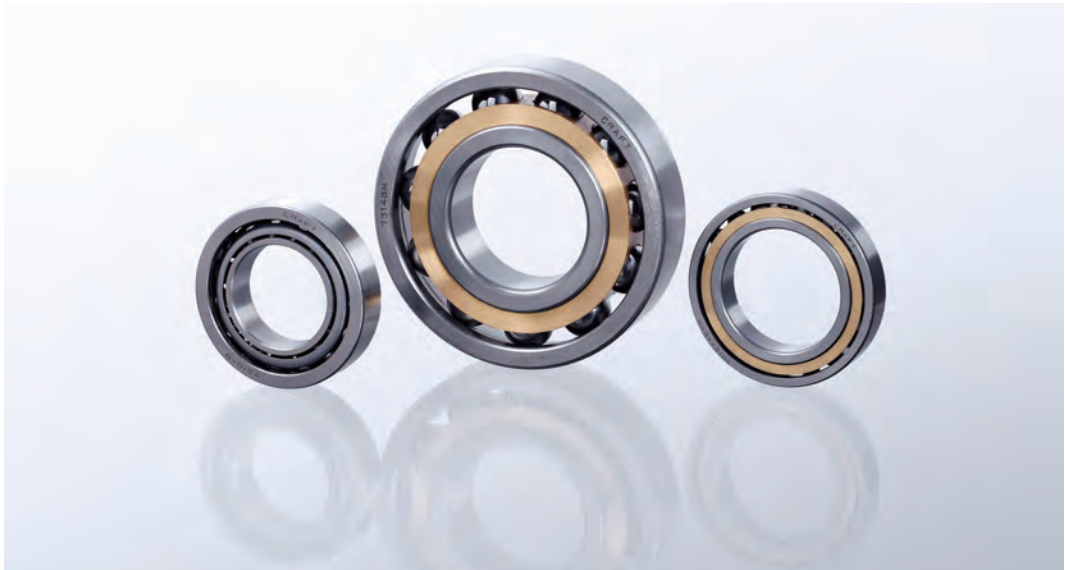
Quality Minded



## GENERAL CATALOG

[www.craft-bearings.com](http://www.craft-bearings.com)





Subject	Symbol	Description
Cage type	M	Brass cage.
	E	Polymer cage.
	-	Sheet steel cage. Is not indicated as a standard.
Contact angle	C	Contact angle 15°.
	AC	Contact angle 25°.
	B	Contact angle 40°.
Tolerances	P0	Normal tolerance level. Is not indicated as a standard.
	P6	Greater tolerance level than P0.
	P5	Greater tolerance level than P6.

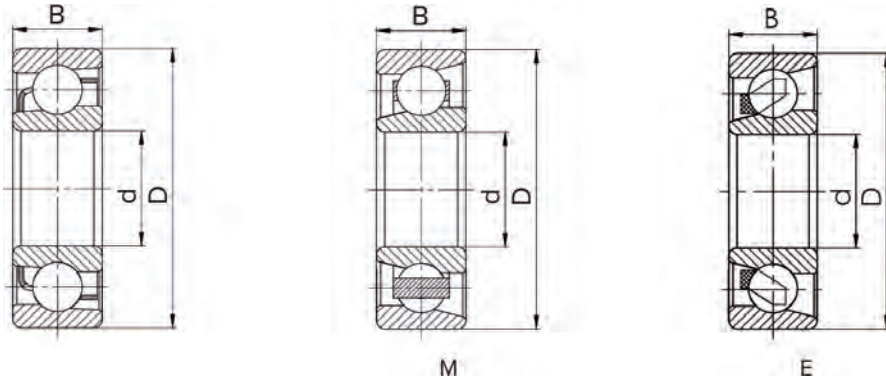
### Features

Angular contact ball bearings have raceways in the inner and outer rings that are displaced with respect to each other in the direction of the bearing axis. This means that they are designed to accommodate combined loads, i.e. simultaneously acting radial and axial loads. The axial load carrying capacity of angular contact ball bearings increases with increasing contact angle. However, in any case minimal loads are necessary to perform properly. The contact angle  $\alpha$  is defined as the angle between the line joining the points of contact of the ball and the raceways in the radial plane, along which the load is transmitted from one raceway to another, and a line perpendicular to the bearing axis.

Single row angular contact ball bearings can accommodate axial loads acting in one direction only. The bearings are non-separable and the bearing rings have one high and one low shoulder. The low shoulder enables a large number of balls to be incorporated in the bearing, giving it a relatively high load carrying capacity.

### Cages

Angular contact ball bearings are provided with three different cages: machined brass cage, steel sheet cage or polymer cage. Choosing right cage is important to ensure robust operation, sufficient lubrication or right speed ratings.



ISO	GOST	Dimensions (mm)			Basic Load Rating (N)		Limiting speed ( r/min )		Weight (kg)
		d	D	B	Dyn. C	Stat. C <sub>0</sub>	Lubrication		
							Grease	Oil	
7000 AC	46100	10	26	8	5000	2350	34000	42000	0.025
7000 B	66100	10	26	8	4650	2150	25000	33000	0.025
7000 C	36100	10	26	8	5300	2450	47000	62000	0.025
7001 AC	46101	12	28	8	5400	2750	29000	37000	0.027
7001 B	66101	12	28	8	4950	2500	22000	29000	0.027
7001 C	36101	12	28	8	5800	2950	40000	54000	0.027
7002 AC	46102	15	32	9	6100	3450	26000	32000	0.039
7002 B	66102	15	32	9	5550	3150	19000	25000	0.039
7002 C	36102	15	32	9	6600	3700	35000	47000	0.039
7003 AC	46103	17	35	10	6750	4150	23000	28000	0.051
7003 B	66103	17	35	10	6100	3750	17000	23000	0.051
7003 C	36103	17	35	10	7300	4450	31000	41000	0.051
7004 AC	46104	20	42	12	10300	6100	19000	24000	0.089
7004 B	66104	20	42	12	9350	5550	14000	19000	0.089
7004 C	36104	20	42	12	11100	6600	26000	35000	0.089
7005 AC	46105	25	47	12	11300	7400	17000	21000	0.103
7005 B	66105	25	47	12	10200	6700	12000	17000	0.103
7005 C	36105	25	47	12	12300	8000	23000	30000	0.103
7006 AC	46106	30	55	13	14500	10100	14000	18000	0.150
7006 B	66106	30	55	13	13100	9200	11000	14000	0.150
7006 C	36106	30	55	13	15800	11000	20000	26000	0.150
7007 AC	46107	35	62	14	17500	12600	12000	15000	0.207
7007 B	66107	35	62	14	15800	11400	9200	12000	0.207
7007 C	36107	35	62	14	19100	13700	17000	22000	0.207
7008 AC	46108	40	68	15	18700	14600	11000	14000	0.247
7008 B	66108	40	68	15	16800	13200	8300	11000	0.247
7008 C	36108	40	68	15	20500	15900	15000	20000	0.247
7009 AC	46109	45	75	16	22200	17700	10000	12000	0.310
7009 B	66109	45	75	16	20000	16000	7500	10000	0.310
7009 C	36109	45	75	16	24400	19300	14000	18000	0.310
7010 AC	46110	50	80	16	23600	20100	9200	11000	0.350
7010 B	66110	50	80	16	21200	18100	6900	9200	0.350
7010 C	36110	50	80	16	26000	21900	13000	17000	0.350
7011 AC	46111	55	90	18	31100	26300	8300	10000	0.470
7011 B	66111	55	90	18	27900	23700	6200	8300	0.470
7011 C	36111	55	90	18	34100	28600	11000	15000	0.470
7012 AC	46112	60	95	18	31900	28100	7700	9700	0.500
7012 B	66112	60	95	18	28600	25300	5800	7700	0.500
7012 C	36112	60	95	18	35000	30600	11000	14000	0.500
7013 AC	46113	65	100	18	33700	31400	7200	9000	0.540
7013 B	66113	65	100	18	30100	28300	5400	7200	0.540
7013 C	36113	65	100	18	37100	34300	10000	13000	0.540
7014 AC	46114	70	110	20	42700	39400	6600	8300	0.810

ISO	GOST	Dimensions (mm)			Basic Load Rating (N)		Limiting speed ( r/min )		Weight (kg)
		d	D	B	Dyn. C	Stat. C <sub>0</sub>	Lubrication		
							Grease	Oil	
7014 B	66114	70	110	20	38300	35500	5000	6600	0.810
7014 C	36114	70	110	20	46900	43000	9200	12000	0.810
7015 AC	46115	75	115	20	43600	41700	6300	7800	0.860
7015 B	66115	75	115	20	39100	37600	4700	6300	0.860
7015 C	36115	75	115	20	48000	45600	8700	11000	0.860
7016 AC	46116	80	125	22	53400	50600	5800	7200	1.110
7016 B	66116	80	125	22	47800	45700	4300	5800	1.110
7016 C	36116	80	125	22	58700	55300	8000	11000	1.110
7017 AC	46117	85	130	22	54600	53700	5500	6800	1.250
7017 B	66117	85	130	22	48800	48400	4100	5500	1.250
7017 C	36117	85	130	22	60100	58700	7600	10000	1.250
7018 AC	46118	90	140	24	65200	63300	5100	6400	1.580
7018 B	66118	90	140	24	58400	57100	3900	5100	1.580
7018 C	36118	90	140	24	71700	69100	7100	9400	1.580
7019 AC	46119	95	145	24	66600	67100	4800	6000	1.670
7019 B	66119	95	145	24	59600	60500	3600	4800	1.670
7019 C	36119	95	145	24	73400	73400	6700	8900	1.670
7020 AC	46120	100	150	24	68400	70600	4700	5900	1.720
7020 B	66120	100	150	24	61200	63600	3500	4700	1.720
7020 C	36120	100	150	24	75300	77200	6500	8600	1.720
7021 AC	46121	105	160	26	79800	81900	4400	5500	2.160
7021 B	66121	105	160	26	71400	73800	3300	4400	2.160
7021 C	36121	105	160	26	87800	89600	6000	8000	2.160
7022 AC	46122	110	170	28	91900	92800	4200	5200	2.710
7022 B	66122	110	170	28	82300	83700	3100	4200	2.710
7022 C	36122	110	170	28	101000	101000	5800	7700	2.710
7024 AC	46124	120	180	28	96600	103000	3900	4900	2.940
7024 B	66124	120	180	28	86400	93000	2900	3900	2.940
7024 C	36124	120	180	28	106000	113000	5400	7100	2.940
7026 AC	46126	130	200	33	117000	125000	3500	4400	4.430
7026 B	66126	130	200	33	105000	113000	2600	3500	4.430
7026 C	36126	130	200	33	129000	137000	4800	6400	4.430
7028 AC	46128	140	210	33	120000	133000	3300	4100	4.700
7028 B	66128	140	210	33	107000	119000	2500	3300	4.700
7028 C	36128	140	210	33	132000	145000	4500	6000	4.700
7030 AC	46130	150	225	35	137000	154000	3000	3800	5.490
7030 B	66130	150	225	35	122000	138000	2300	3000	5.490
7030 C	36130	150	225	35	151000	169000	4200	5500	5.490
7032 AC	46132	160	240	38	155000	176000	2800	3500	6.670
7032 B	66132	160	240	38	139000	158000	2100	2800	6.670
7032 C	36132	160	240	38	171000	193000	3900	5200	6.670
7034 AC	46134	170	260	42	186000	214000	2600	3200	8.920
7034 B	66134	170	260	42	166000	193000	1900	2600	8.920
7034 C	36134	170	260	42	204000	234000	3600	4800	8.920
7036 AC	46136	180	280	46	212000	253000	2400	3000	11.280
7036 B	66136	180	280	46	190000	228000	1800	2400	11.280
7036 C	36136	180	280	46	233000	276000	3300	4400	11.280
7038 AC	46138	190	290	46	217000	268000	2300	2800	12.100
7038 B	66138	190	290	46	194000	241000	1700	2300	12.100
7038 C	36138	190	290	46	239000	293000	3100	4200	12.100
7040 AC	46140	200	310	51	244000	309000	2100	2600	15.590
7040 B	66140	200	310	51	218000	279000	1600	2100	15.590
7040 C	36140	200	310	51	268000	338000	2900	3900	15.590
7044 AC	46144	220	340	56	267000	353000	1900	2400	18.500
7044 B	66144	220	340	56	239000	318000	1400	1900	18.500
7048 AC	46148	240	360	56	273000	375000	1700	2200	19.700
7048 B	66148	240	360	56	244000	338000	1300	1700	19.700
7052 AC	46152	260	400	65	325000	478000	1500	1900	28.700
7052 B	66152	260	400	65	291000	431000	1100	1500	28.700

ISO	GOST	Dimensions (mm)			Basic Load Rating (N)		Limiting speed ( r/min )		Weight (kg)
							Lubrication		
		d	D	B	Dyn. C	Stat. C <sub>0</sub>	Grease	Oil	
7056 AC	46156	280	420	65	332000	507000	1400	1800	30.40
7056 B	66156	280	420	65	297000	453000	1100	1400	30.40
7060 AC	46160	300	460	74	426000	680000	1300	1600	43.70
7060 B	66160	300	460	74	382000	613000	960	1300	43.70
7064 AC	46164	320	480	74	437000	722000	1200	1500	46.00
7064 B	66164	320	480	74	391000	651000	890	1200	46.00
7068 AC	46168	340	520	82	502000	861000	1100	1300	61.80
7068 B	66168	340	520	82	450000	777000	800	1100	61.80
7072 AC	46172	360	540	82	515000	913000	1000	1300	64.60
7072 B	66172	360	540	82	461000	824000	750	1000	64.60
7076 AC	46176	380	560	82	528000	966000	940	1200	67.20
7076 B	66176	380	560	82	472000	870000	700	940	67.20
7200 AC	46200	10	30	9	4650	2200	29000	37000	0.032
7200 B	66200	10	30	9	4300	2000	22000	29000	0.032
7200 C	36200	10	30	9	5000	2350	40000	54000	0.032
7201 AC	46201	12	32	10	7450	3650	27000	34000	0.039
7201 B	66201	12	32	10	6950	3400	20000	27000	0.039
7201 C	36201	12	32	10	7900	3850	38000	50000	0.039
7202 AC	46202	15	35	11	8100	4250	24000	29000	0.048
7202 B	66202	15	35	11	7450	3950	18000	24000	0.048
7202 C	36202	15	35	11	8650	4550	33000	43000	0.048
7203 AC	46203	17	40	12	10200	5500	21000	26000	0.069
7203 B	66203	17	40	12	9350	5050	16000	21000	0.069
7203 C	36203	17	40	12	10900	5900	29000	38000	0.069
7204 AC	46204	20	47	14	14500	8400	17000	22000	0.110
7204 B	66204	20	47	14	13300	7700	13000	17000	0.110
7204 C	36204	20	47	14	15500	9000	24000	32000	0.110
7205 AC	46205	25	52	15	15300	9500	15000	19000	0.130
7205 B	66205	25	52	15	14000	8700	12000	15000	0.130
7205 C	36205	25	52	15	16600	10200	21000	28000	0.130
7206 AC	46206	30	62	16	21300	13700	13000	16000	0.217
7206 B	66206	30	62	16	19400	12500	9600	13000	0.217
7206 C	36206	30	62	16	23000	14700	18000	24000	0.217
7207 AC	46207	35	72	17	19100	13700	17000	22000	0.313
7207 B	66207	35	72	17	28100	18600	11000	14000	0.313
7207 C	36207	35	72	17	25600	17000	8300	11000	0.313
7208 AC	46208	40	80	18	33600	23300	10000	12000	0.402
7208 B	66208	40	80	18	30600	21300	7500	10000	0.402
7208 C	36208	40	80	18	36400	25200	14000	18000	0.402
7209 AC	46209	45	85	19	37700	26600	9400	12000	0.460
7209 B	66209	45	85	19	34300	24300	7000	9400	0.460
7209 C	36209	45	85	19	40800	28700	13000	17000	0.460
7210 AC	46210	50	90	20	39400	29400	8500	11000	0.510
7210 B	66210	50	90	20	35700	26700	6400	8500	0.510
7210 C	36210	50	90	20	42800	31800	12000	16000	0.510
7211 AC	46211	55	100	21	48700	37100	7600	9500	0.680
7211 B	66211	55	100	21	44100	33800	5700	7600	0.680
7211 C	36211	55	100	21	52900	40200	11000	14000	0.680
7212 AC	46212	60	110	22	58900	45700	6900	8600	1.020
7212 B	66212	60	110	22	53400	41600	5100	6900	1.020
7212 C	36212	60	110	22	64000	49500	9500	13000	1.020
7213 AC	46213	65	120	23	67300	54200	6400	8000	1.090
7213 B	66213	65	120	23	60900	49300	4800	6400	1.090
7213 C	36213	65	120	23	73100	58700	8900	12000	1.090
7214 AC	46214	70	125	24	69800	55600	6100	7600	1.180
7214 B	66214	70	125	24	63200	50600	4600	6100	1.180
7214 C	36214	70	125	24	75900	60200	8400	11000	1.180
7215 AC	46215	75	130	25	79200	65200	5800	7200	1.320
7215 B	66215	75	130	25	71700	59300	4300	5800	1.320

ISO	GOST	Dimensions (mm)			Basic Load Rating (N)		Limiting speed ( r/min )		Weight (kg)
		d	D	B	Dyn. C	Stat. C <sub>0</sub>	Lubrication		
							Grease	Oil	
7215 C	36215	75	130	25	86100	70600	8000	11000	1.320
7216 AC	46216	80	140	26	85300	71500	5400	6700	1.570
7216 B	66216	80	140	26	77100	65000	4000	5400	1.570
7216 C	36216	80	140	26	92800	77500	7500	9900	1.570
7217 AC	46217	85	150	28	98600	83600	5000	6300	2.010
7217 B	66217	85	150	28	89200	76000	3800	5000	2.010
7217 C	36217	85	150	28	107000	90600	4400	5500	2.010
7218 AC	46218	90	160	30	113000	96700	4700	5900	2.470
7218 B	66218	90	160	30	102000	88000	3500	4700	2.470
7218 C	36218	90	160	30	123000	105000	6500	8600	2.470
7219 AC	46219	95	170	32	122000	103000	4400	5500	3.020
7219 B	66219	95	170	32	110000	94000	3300	4400	3.020
7219 C	36219	95	170	32	133000	112000	6100	8100	3.020
7220 AC	46220	100	180	34	137000	117000	4100	5200	3.620
7220 B	66220	100	180	34	124000	107000	3100	4200	3.620
7220 C	36220	100	180	34	149000	127000	5700	7600	3.620
7221 AC	46221	105	190	36	149000	132000	3900	4900	4.290
7221 B	66221	105	190	36	135000	121000	2900	3900	4.290
7221 C	36221	105	190	36	162000	143000	5400	7200	4.290
7222 AC	46222	110	200	38	162000	148000	3700	4600	5.030
7222 B	66222	110	200	38	147000	135000	2800	3700	5.030
7222 C	36222	110	200	38	176000	160000	5100	6800	5.030
7224 AC	46224	120	215	40	174000	166000	3400	4300	7.080
7224 B	66224	120	215	40	158000	151000	2600	3400	7.080
7224 C	36224	120	215	40	190000	180000	4800	6300	7.080
7226 AC	46226	130	230	40	196000	198000	3200	4000	8.100
7226 B	66226	130	230	40	177000	180000	2400	3200	8.100
7226 C	36226	130	230	40	213000	214000	4400	5800	8.100
7228 AC	46228	140	250	42	218000	234000	2900	3600	9.950
7228 B	66228	140	250	42	197000	213000	2200	2900	9.950
7228 C	36228	140	250	42	238000	254000	4000	5300	9.950
7230 AC	46230	150	270	45	248000	280000	2700	3300	12.46
7230 B	66230	150	270	45	225000	254000	2000	2700	12.46
7230 C	36230	150	270	45	270000	303000	3700	4900	12.46
7232 AC	46232	160	290	48	230000	263000	2500	3100	15.49
7232 B	66232	160	290	48	238000	279000	1800	2500	15.49
7232 C	36232	160	290	48	287000	333000	3400	4500	15.49
7234 AC	46234	170	310	52	27000	331000	2300	2800	19.69
7234 B	66234	170	310	52	245000	300000	1700	2300	19.69
7234 C	36234	170	310	52	297000	359000	3100	4200	19.69
7236 AC	46236	180	320	52	293000	362000	2200	2700	20.26
7236 B	66236	180	320	52	265000	329000	1600	2200	20.26
7236 C	36236	180	320	52	320000	393000	3000	4000	20.26
7238 AC	46238	190	340	55	303000	390000	2000	2500	24.31
7238 B	66238	190	340	55	273000	353000	1500	2000	24.31
7238 C	36238	190	340	55	331000	424000	2800	3700	24.31
7240 AC	46240	200	360	58	324000	423000	1900	2400	28.82
7240 B	66240	200	360	58	292000	384000	1400	1900	28.82
7240 C	36240	200	360	58	354000	460000	2600	3500	28.82
7244 AC	46244	220	400	65	380000	540000	2600	3200	33.60
7244 C	36244	220	400	65	400000	560000	2500	3400	33.60
7300 AC	46300	10	35	11	9300	4300	20000	26000	0.054
7300 B	66300	10	35	11	8950	4150	18000	24000	0.054
7300 C	36300	10	35	11	9850	4600	36000	49000	0.054
7301 AC	46301	12	37	12	11200	5250	18000	24000	0.065
7301 B	66301	12	37	12	10800	5050	16000	22000	0.065
7301 C	36301	12	37	12	10800	4900	33000	45000	0.065
7302 AC	46302	15	42	13	13600	7100	16000	21000	0.088
7302 B	66302	15	42	13	12800	6750	14000	19000	0.088

ISO	GOST	Dimensions (mm)			Basic Load Rating (N)		Limiting speed ( r/min )		Weight (kg)
		d	D	B	Dyn. C	Stat. C <sub>0</sub>	Lubrication		
							Grease	Oil	
7302 C	36302	15	42	13	13300	6850	28000	39000	0.088
7303 AC	46303	17	47	14	14900	7900	18000	23000	0.121
7303 B	66303	17	47	14	13800	7300	14000	18000	0.121
7303 C	36303	17	47	14	15800	8400	25000	33000	0.121
7304 AC	46304	20	52	15	17400	9400	17000	21000	0.156
7304 B	66304	20	52	15	16200	8700	13000	17000	0.156
7304 C	36304	20	52	15	18500	9950	23000	31000	0.156
7305 AC	46305	25	62	17	24800	14400	14000	17000	0.248
7305 B	66305	25	62	17	22900	13300	10000	14000	0.248
7305 C	36305	25	62	17	26400	15300	19000	25000	0.248
7306 AC	46306	30	72	19	30100	18900	12000	14000	0.381
7306 B	66306	30	72	19	27600	17400	8700	12000	0.381
7306 C	36306	30	72	19	32300	20300	16000	21000	0.381
7307 AC	46307	35	80	21	35400	22000	10000	13000	0.512
7307 B	66307	35	80	21	32500	20200	7700	10000	0.512
7307 C	36307	35	80	21	37900	23600	14000	19000	0.512
7308 AC	46308	40	90	23	43200	27400	9200	12000	0.733
7308 B	66308	40	90	23	39700	25200	6900	9200	0.733
7308 C	36308	40	90	23	46300	29400	13000	17000	0.733
7309 AC	46309	45	100	25	55100	37100	8200	10000	0.970
7309 B	66309	45	100	25	50600	34100	6200	8200	0.970
7309 C	36309	45	100	25	59200	39700	11000	15000	0.970
7310 AC	46310	50	110	27	70100	48100	7300	9100	1.230
7310 B	66310	50	110	27	64400	44300	5500	7300	1.230
7310 C	36310	50	110	27	75100	51600	10000	13000	1.230
7311 AC	46311	55	120	29	80900	56500	6700	8400	1.570
7311 B	66311	55	120	29	74300	52000	5000	6700	1.570
7311 C	36311	55	120	29	86800	60600	9300	12000	1.570
7312 AC	46312	60	130	31	92500	65600	6200	7700	1.696
7312 B	66312	60	130	31	84900	60300	4600	6200	1.696
7312 C	36312	60	130	31	99200	70300	8600	11000	1.696
7313 AC	46313	65	140	33	105000	75300	5800	7200	2.380
7313 B	66313	65	140	33	96100	69300	4300	5800	2.380
7313 C	36313	65	140	33	112000	80700	8000	11000	2.380
7314 AC	46314	70	150	36	118000	85800	5400	6700	2.890
7314 B	66314	70	150	36	108000	78900	4000	5400	2.890
7314 C	36314	70	150	36	126000	91900	7500	9900	2.890
7315 AC	46315	75	160	37	128000	97000	5000	6300	3.470
7315 B	66315	75	160	37	118000	89200	3800	5000	3.470
7315 C	36315	75	160	37	137000	104000	7000	9200	3.470
7316 AC	46316	80	170	39	139000	109000	4700	5900	4.130
7316 B	66316	80	170	39	127000	100000	3500	4700	4.130
7316 C	36316	80	170	39	149000	117000	6500	4600	4.130
7317 AC	46317	85	180	41	150000	122000	4400	5500	4.910
7317 B	66317	85	180	41	137000	112000	3300	4400	4.910
7317 C	36317	85	180	41	161000	130000	6100	8100	4.910
7318 AC	46318	90	190	43	161000	135000	4200	5200	5.740
7318 B	66318	90	190	43	148000	124000	3100	4200	5.740
7318 C	36318	90	190	43	173000	145000	5800	7700	5.740
7319 AC	46319	95	200	45	122000	103000	4400	5500	6.670
7319 B	66319	95	200	45	110000	94000	3300	4400	6.670
7319 C	36319	95	200	45	133000	112000	6100	8100	6.670
7320 AC	46320	100	215	47	184000	161000	3600	4600	8.100
7320 B	66320	100	215	47	168000	148000	2700	3600	8.100
7320 C	36320	100	215	47	197000	173000	5000	6700	8.100
7321 AC	46321	105	225	49	208000	193000	3500	4400	9.280
7321 B	66321	105	225	49	191000	177000	2600	3500	9.280
7321 C	36321	105	225	49	223000	207000	4800	6400	9.280
7322 AC	46322	110	240	50	232000	226000	3200	4000	10.87

ISO	GOST	Dimensions (mm)			Basic Load Rating (N)		Limiting speed ( r/min )		Weight (kg)
		d	D	B	Dyn. C	Stat. C <sub>0</sub>	Lubrication		
							Grease	Oil	
7322 B	66322	110	240	50	213000	208000	2400	3200	10.87
7322 C	36322	110	240	50	249000	242000	4500	5900	10.87
7324 AC	46324	120	260	55	246000	252000	3000	3700	16.62
7324 B	66324	120	260	55	225000	231000	2200	3000	16.62
7324 C	36324	120	260	55	265000	271000	4100	5500	16.62
7326 AC	46326	130	280	58	301000	329000	2700	3400	19.90
7326 B	66326	130	280	58	250000	268000	2100	2700	19.90
7326 C	36326	130	280	58	294000	314000	3800	5000	19.90
7328 AC	46328	140	300	62	329000	374000	2500	3200	24.31
7328 B	66328	140	300	62	302000	344000	1900	2500	24.31
7328 C	36328	140	300	62	353000	401000	3500	4600	24.31
7330 AC	46330	150	320	65	348000	414000	2300	2900	28.36
7330 B	66330	150	320	65	318000	380000	1800	2300	28.36
7330 C	36330	150	320	65	374000	445000	3200	4300	28.36
7332 AC	46332	160	340	68	365000	455000	2200	2700	34.15
7332 B	66332	160	340	68	332000	416000	1600	2200	34.15
7332 C	36332	160	340	68	394000	490000	3000	4000	34.15
7334 AC	46334	170	360	72	389000	485000	2000	2500	40.36
7334 B	66334	170	360	72	355000	444000	1500	2000	40.36
7334 C	36334	170	360	72	418000	521000	2800	3700	40.36
7336 AC	46336	180	380	75	409000	534000	1900	2400	46.72
7336 B	66336	180	380	75	373000	488000	1400	1900	46.72
7338 AC	46338	190	400	78	450000	598000	1800	2200	53.85
7338 B	66338	190	400	78	411000	548000	1300	1800	53.85
7340 AC	46340	200	420	80	474000	658000	1700	2100	60.51
7340 B	66340	200	420	80	432000	602000	1200	1700	60.51
7404 AC	46404	20	72	19	35600	19100	9600	13000	0.395
7404 B	66404	20	72	19	33500	17900	8500	12000	0.395
7405 AC	46405	25	80	21	39700	23200	8200	11000	0.527
7405 B	66405	25	80	21	36900	21500	7300	10000	0.527
7406 AC	46406	30	90	23	47600	28400	7300	9700	0.686
7406 B	66406	30	90	23	44200	26400	6500	8900	0.686
7407 AC	46407	35	100	25	60400	37000	6500	8600	0.950
7407 B	66407	35	100	25	56200	34300	5700	7900	0.950
7408 AC	46408	40	110	27	69900	43500	5900	7900	1.230
7408 B	66408	40	110	27	64900	40400	5200	7200	1.230
7409 AC	46409	45	120	29	84900	53800	5400	7100	1.550
7409 B	66409	45	120	29	78900	50000	4800	6600	1.550
7410 AC	46410	50	130	31	97400	65300	4900	6600	1.920
7410 B	66410	50	130	31	90200	60400	4400	6000	1.920
7411 AC	46411	55	140	33	118000	82400	4500	6000	2.360
7411 B	66411	55	140	33	110000	76500	4000	5500	2.360
7412 AC	46412	60	150	35	129000	93600	4100	5500	2.850
7412 B	66412	60	150	35	119000	86700	3700	5100	2.850
7413 AC	46413	65	160	37	139000	104000	3900	5200	3.410
7413 B	66413	65	160	37	129000	96800	3500	4800	3.410
7414 AC	46414	70	180	42	149000	115000	3500	4600	4.990
7414 B	66414	70	180	42	148000	119000	3100	4300	4.990
7415 AC	46415	75	190	45	171000	141000	3300	4400	5.900
7415 B	66415	75	190	45	158000	131000	2900	4000	5.900
7416 AC	46416	80	200	48	193000	166000	3100	4100	6.000
7416 B	66416	80	200	48	179000	154000	2700	3800	6.000
7417 AC	46417	85	210	52	204000	180000	3000	3900	8.540
7417 B	66417	85	210	52	189000	167000	2600	3600	8.540
7418 AC	46418	90	225	54	216000	196000	2800	3700	11.40
7418 B	66418	90	225	54	200000	182000	2500	3400	11.40



# ANGULAR CONTACT BALL BEARINGS DOUBLE ROW

Series: 30.. 32.. 33.. 38..



Subject	Symbol	Description
Seal type	ZZ	Metal shields on both sides.
	2RS	Rubber seals on both sides.
	C2	Less than normal.
Axial internal clearance	CN	Normal clearance. Is not indicated as a standard.
	C3	Greater clearance than normal.
	C4	Greater than C3.
	C5	Greater than C4.
Cage type	E	Polymer cage.
	A	Steel cage
Speed ratings	V	Normal vibration level. Is not indicated as a standard.
	V1	Lower vibration level than normal.
	V2	Lower vibration level than V1.
Tolerances	P0	Normal tolerance level. Is not indicated as a standard.
	P6	Greater tolerance level than P0.

## Features

Double row deep groove ball bearings corresponds in design to single row deep groove ball bearings. They are designed for high to very high speeds and are used where the load carrying capacity of single row deep groove ball bearings is not sufficient. Double row deep groove ball bearings are wider than single row deep groove ball bearings of the same bore and outside diameter but have a significantly higher load carrying capacity.

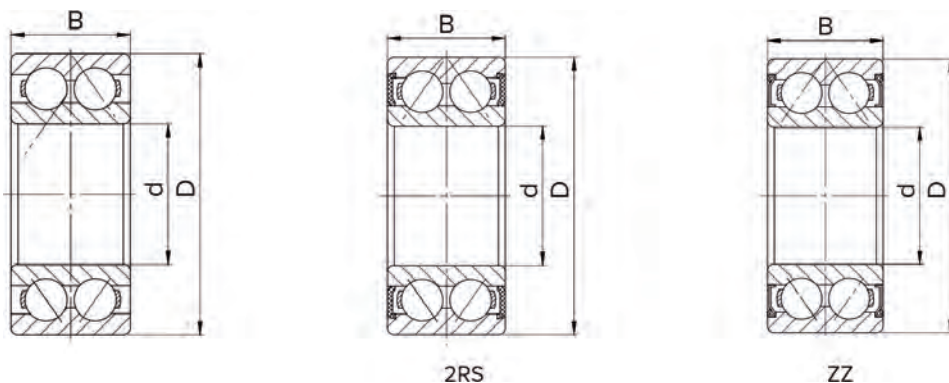
**Sealing and lubrication**

Mainly these bearings are produced in sealed version, however, other types are available on request. Sealed version ensures great lubrication on working conditions as additional lubrication might not be sufficient for this bearing design. CRAFT bearings grease is a low noise bearing grease which is thickened by lithium 12-hydroxy stearic, it is made from deeply refined mineral oil with rust and oxidation inhibitors through special technical process. Applied temperature range -20 C - +120 C.

**Cages**

CRAFT bearings double row deep groove ball bearings without a cage suffix have a sheet steel cage. For specific purpose polymer cages might be used which has better friction and lubrication capabilities.





ISO	GOST	Dimensions (mm)			Basic Load Rating (N)		Limiting speed ( r/min )		Weight (kg)
		d	D	B	Dyn. C	Stat. C <sub>0</sub>	Lubrication		
							Grease	Oil	
3000 ZZ	-	10	26	12	5700	3250	18500	24000	0.022
3000 2RS	-	10	26	12	5700	3250	18500	-	0.022
3001 ZZ	-	12	28	12	6200	3750	17500	22800	0.025
3001 2RS	-	12	28	12	6200	3750	17500	-	0.025
3002 ZZ	-	15	32	13	8600	5400	14500	18800	0.036
3002 2RS	-	15	32	13	8600	5400	14500	-	0.036
3003 ZZ	-	17	35	14	9200	6200	12500	16200	0.042
3003 2RS	-	17	35	14	9200	6200	12500	-	0.042
3004 ZZ	-	20	42	16	14500	9600	11000	14300	0.080
3004 2RS	-	20	42	16	14500	9600	11000	-	0.080
3005 ZZ	-	25	47	16	15500	11100	9500	12400	0.100
3005 2RS	-	25	47	16	15500	11100	9500	-	0.100
3006 ZZ	-	30	55	19	20300	15600	8000	10400	0.160
3006 2RS	-	30	55	19	20300	15600	8000	-	0.160
3007 ZZ	-	35	62	20	24500	21400	6600	8600	0.200
3007 2RS	-	35	62	20	24500	21400	6600	-	0.200
3008 ZZ	-	40	68	21	25500	21700	6300	8200	0.250
3008 2RS	-	40	68	21	25500	21700	6300	-	0.250
3200	3056200	10	30	14	7410	4300	16000	22000	0.051
3200 ZZ	3056200 ZZ	10	30	14	7410	4300	16000	22000	0.051
3200 2RS	3056200 2RS	10	30	14	7410	4300	16000	-	0.051
3201	3056201	12	32	15.9	10100	5600	15000	20000	0.058
3201 ZZ	3056201 ZZ	12	32	15.9	10100	5600	15000	20000	0.058
3201 2RS	3056201 2RS	12	32	15.9	10100	5600	15000	-	0.058
3202	3056202	15	35	15.9	11200	6800	12000	17000	0.066
3202 ZZ	3056202 ZZ	15	35	15.9	11200	6800	12000	17000	0.066
3202 2RS	3056202 2RS	15	35	15.9	11200	6800	12000	-	0.066
3203	3056203	17	40	17.5	14000	8650	10000	15000	0.096
3203 ZZ	3056203 ZZ	17	40	17.5	14000	8650	10000	15000	0.096
3203 2RS	3056203 2RS	17	40	17.5	14000	8650	10000	-	0.096
3204	3056204	20	47	20.6	18600	12000	9000	13000	0.160
3204 ZZ	3056204 ZZ	20	47	20.6	18600	12000	9000	13000	0.160
3204 2RS	3056204 2RS	20	47	20.6	18600	12000	9000	-	0.160
3205	3056205	25	52	20.6	20300	14000	8000	11000	0.180
3205 ZZ	3056205 ZZ	25	52	20.6	20300	14000	8000	11000	0.180
3205 2RS	3056205 2RS	25	52	20.6	20300	14000	8000	-	0.180
3206	3056206	30	62	23.8	28100	20000	7000	9500	0.290
3206 2RS	3056206 2RS	30	62	23.8	28100	20000	7000	-	0.290
3206 ZZ	3056206 ZZ	30	62	23.8	28100	20000	7000	-	0.290
3207	3056207	35	72	27	37100	27500	6000	8000	0.440
3207 ZZ	3056207 ZZ	35	72	27	37100	27500	6000	8000	0.440
3207 2RS	3056207 2RS	35	72	27	37100	27500	6000	-	0.440
3208	3056208	40	80	30.2	44900	33500	5600	7500	0.590

ISO	GOST	Dimensions (mm)			Basic Load Rating (N)		Limiting speed ( r/min )		Weight (kg)
		d	D	B	Dyn. C	Stat. C <sub>0</sub>	Lubrication		
							Grease	Oil	
3208 ZZ	3056208 ZZ	40	80	30.2	44900	33500	5600	7500	0.590
3208 2RS	3056208 2RS	40	80	30.2	44900	33500	5600	-	0.590
3209	3056209	45	85	30.2	47500	38000	5000	6700	0.630
3209 ZZ	3056209 ZZ	45	85	30.2	47500	38000	5000	6700	0.630
3209 2RS	3056209 2RS	45	85	30.2	47500	38000	5000	-	0.630
3210	3056210	50	90	30.2	47500	39000	4800	6300	0.660
3210 ZZ	3056210 ZZ	50	90	30.2	47500	39000	4800	6300	0.660
3210 2RS	3056210 2RS	50	90	30.2	47500	39000	4800	-	0.660
3211	3056211	55	100	33.3	57200	67000	4300	5600	1.050
3211 ZZ	3056211 ZZ	55	100	33.3	57200	67000	4300	5600	1.050
3211 2RS	3056211 2RS	55	100	33.3	57200	67000	4300	-	1.050
3212	3056212	60	110	36.5	72100	85000	3800	5000	1.400
3212 ZZ	3056212 ZZ	60	110	36.5	72100	85000	3800	5000	1.400
3212 2RS	3056212 2RS	60	110	36.5	72100	85000	3800	-	1.400
3213	3056213	65	120	38.1	78100	95000	3600	4800	1.750
3213 ZZ	3056213 ZZ	65	120	38.1	78100	95000	3600	4800	1.750
3213 2RS	3056213 2RS	65	120	38.1	78100	95000	3600	-	1.750
3214	3056214	70	125	39.7	95000	83000	2900	3600	1.850
3214 ZZ	3056214 ZZ	70	125	39.7	95000	83000	2900	3600	1.850
3214 2RS	3056214 2RS	70	125	39.7	95000	83000	2900	-	1.850
3215	3056215	75	130	41.3	95000	84000	2900	3600	2.100
3215 ZZ	3056215 ZZ	75	130	41.3	95000	84000	2900	3600	2.100
3215 2RS	3056215 2RS	75	130	41.3	95000	84000	2900	-	2.100
3216	3056216	80	140	44.4	109000	102000	2500	3100	2.650
3216 ZZ	3056216 ZZ	80	140	44.4	109000	102000	2500	3100	2.650
3216 2RS	3056216 2RS	80	140	44.4	109000	102000	2500	-	2.650
3217	3056217	85	150	49.2	129000	117000	2300	2800	3.400
3217 ZZ	3056217 ZZ	85	150	49.2	129000	117000	2300	2800	3.400
3217 2RS	3056217 2RS	85	150	49.2	129000	117000	2300	-	3.400
3218	3056218	90	160	52.4	142000	142000	2200	2650	4.150
3218 ZZ	3056218 ZZ	90	160	52.4	142000	142000	2200	2650	4.150
3218 2RS	3056218 2RS	90	160	52.4	142000	142000	2200	-	4.150
3219	3056219	95	170	55.6	147000	142000	2000	2400	5.000
3220	3056220	100	180	60.3	187000	175000	2000	2400	5.500
3220 ZZ	3056220 ZZ	100	180	60.3	187000	175000	2000	2400	5.500
3220 2RS	3056220 2RS	100	180	60.3	187000	175000	2000	-	5.500
3222	3056222	110	200	69.8	190000	180000	1900	2400	8.800
3222 ZZ	3056222 ZZ	110	200	69.8	190000	180000	1900	2400	8.800
3222 2RS	3056222 2RS	110	200	69.8	190000	180000	1900	-	8.800
3302	3056302	15	42	19	15100	9150	10000	15000	0.130
3302 ZZ	3056302 ZZ	15	42	19	15100	9150	10000	15000	0.130
3302 2RS	3056302 2RS	15	42	19	15100	9150	10000	-	0.130
3303	3056303	17	47	22.2	21200	12500	9500	14000	0.180
3303 ZZ	3056303 ZZ	17	47	22.2	21200	12500	9500	14000	0.180
3303 2RS	3056303 2RS	17	47	22.2	21200	12500	9500	-	0.180
3304	3056304	20	52	22.2	22100	14300	8500	12000	0.220
3304 ZZ	3056304 ZZ	20	52	22.2	22100	14300	8500	12000	0.220
3304 2RS	3056304 2RS	20	52	22.2	22100	14300	8500	-	0.220
3305	3056305	25	62	25.4	31200	20800	7500	10000	0.350
3305 ZZ	3056305 ZZ	25	62	25.4	31200	20800	7500	10000	0.350
3305 2RS	3056305 2RS	25	62	25.4	31200	20800	7500	-	0.350
3306	3056306	30	72	30.2	41000	28500	6300	8500	0.530
3306 ZZ	3056306 ZZ	30	72	30.2	41000	28500	6300	8500	0.530
3306 2RS	3056306 2RS	30	72	30.2	41000	28500	6300	-	0.530
3307	3056307	35	80	34.9	48800	34000	5600	7500	0.730
3307 ZZ	3056307 ZZ	35	80	34.9	48800	34000	5600	7500	0.730
3307 2RS	3056307 2RS	35	80	34.9	48800	34000	5600	-	0.730
3308	3056308	40	90	36.5	56200	43000	5000	6700	0.950
3308 ZZ	3056308 ZZ	40	90	36.5	56200	43000	5000	6700	0.950

ISO	GOST	Dimensions (mm)			Basic Load Rating (N)		Limiting speed ( r/min )		Weight (kg)
		d	D	B	Dyn. C	Stat. C <sub>0</sub>	Lubrication		
							Grease	Oil	
3308 2RS	3056308 2RS	40	90	36.5	56200	43000	5000	-	0.950
3309	3056309	45	100	39.7	72100	73500	4500	6000	1.400
3309 ZZ	3056309 ZZ	45	100	39.7	72100	73500	4500	6000	1.400
3309 2RS	3056309 2RS	45	100	39.7	72100	73500	4500	-	1.400
3310	3056310	50	110	44.4	88000	96500	4000	8300	1.950
3310 ZZ	3056310 ZZ	50	110	44.4	88000	96500	4000	8300	1.950
3310 2RS	3056310 2RS	50	110	44.4	88000	96500	4000	-	1.950
3311	3056311	55	120	49.2	95200	108000	3800	5000	2.550
3311 ZZ	3056311 ZZ	55	120	49.2	95200	108000	3800	5000	2.550
3311 2RS	3056311 2RS	55	120	49.2	95200	108000	3800	-	2.550
3312	3056312	60	130	54	112000	127000	3400	4500	3.250
3312 ZZ	3056312 ZZ	60	130	54	112000	127000	3400	4500	3.250
3312 2RS	3056312 2RS	60	130	54	112000	127000	3400	-	3.250
3313	3056313	65	140	58.7	160000	126000	2700	3400	4.000
3313 ZZ	3056313 ZZ	65	140	58.7	160000	126000	2700	3400	4.000
3313 2RS	3056313 2RS	65	140	58.7	160000	126000	2700	-	4.000
3313 B	3086313	65	140	58.7	160000	126000	2700	-	4.000
3314	3056314	70	150	63.5	161000	130000	2500	3100	4.900
3314 ZZ	3056314 ZZ	70	150	63.5	161000	130000	2500	3100	4.900
3314 2RS	3056314 2RS	70	150	63.5	161000	130000	2500	-	4.900
3315	3056315	75	160	68.3	187000	160000	2400	3000	5.700
3315 ZZ	3056315 ZZ	75	160	68.3	187000	160000	2400	3000	5.700
3315 2RS	3056315 2RS	75	160	68.3	187000	160000	2400	-	5.700
3316	3056316	80	170	68.3	198000	179000	2300	2800	6.950
3316 ZZ	3056316 ZZ	80	170	68.3	198000	179000	2300	2800	6.950
3316 2RS	3056316 2RS	80	170	68.3	198000	179000	2300	-	6.950
3317	3056317	85	180	73	194000	185000	2200	3200	8.300
3317 ZZ	3056317 ZZ	85	180	73	194000	185000	2200	3200	8.300
3317 2RS	3056317 2RS	85	180	73	194000	185000	2200	-	8.300
3318	3056318	90	190	73	220000	220000	2000	3000	9.250
3318 2RS	3056318 2RS	90	190	73	220000	220000	2000	-	9.250
3319	3056319	95	200	77.8	238000	315000	1900	2800	11.00
3319 2RS	3056319 2RS	95	200	77.8	238000	315000	1900	-	11.00
3320	3056320	100	215	82.6	255000	355000	1800	2600	12.50
3320 2RS	3056320 2RS	100	215	82.6	255000	355000	1800	-	12.50
3322	3056322	110	240	92.1	292000	425000	1700	2400	19.00
3800 ZZ	-	10	19	7	2100	1400	22500	29200	0.008
3800 2RS	-	10	19	7	2100	1400	22500	-	0.008
3801 ZZ	-	12	21	7	2190	1550	20000	26000	0.008
3801 2RS	-	12	21	7	2190	1550	20000	-	0.008
3802 ZZ	-	15	24	7	2430	1960	17500	22800	0.009
3802 2RS	-	15	24	7	2430	1960	17500	-	0.009
3803 ZZ	-	17	26	7	2480	2080	15000	19500	0.015
3803 2RS	-	17	26	7	2480	2080	15000	-	0.015
3804 ZZ	-	20	32	10	5600	4850	13000	16900	0.020
3804 2RS	-	20	32	10	5600	4850	13000	-	0.020
3805 ZZ	-	25	37	10	6000	5600	11500	15000	0.025
3805 2RS	-	25	37	10	6000	5600	11500	-	0.025
3806 ZZ	-	30	42	10	6300	6100	10000	13000	0.030
3806 2RS	-	30	42	10	6300	6100	10000	-	0.030
3807 ZZ	-	35	47	10	6700	7000	8500	11000	0.035
3807 2RS	-	35	47	10	6700	7000	8500	-	0.035
3808 ZZ	-	40	52	10	7000	7800	7000	9100	0.040
3808 2RS	-	40	52	10	7000	7800	7000	-	0.040
3809 ZZ	-	45	58	10	7200	8300	6500	8400	0.053
3809 2RS	-	45	58	10	7200	8300	6500	-	0.053
3810 ZZ	-	50	65	12	8700	10400	6000	7800	0.070
3810 2RS	-	50	65	12	8700	10400	6000	-	0.070
3811 ZZ	-	55	72	13	12100	15700	5500	7200	0.090

ISO	GOST	Dimensions (mm)			Basic Load Rating (N)		Limiting speed ( r/min )		Weight (kg)
							Lubrication		
		d	D	B	Dyn. C	Stat. C <sub>0</sub>	Grease	Oil	
3811 2RS	-	55	72	13	12100	15700	5500	-	0.090
3812 ZZ	-	60	78	14	14500	17500	5000	6500	0.140
3812 2RS	-	60	78	14	14500	17500	5000	-	0.140
3814 ZZ	-	70	90	15	19200	23800	4400	5700	0.190
3814 2RS	-	70	90	15	19200	23800	4400	-	0.190
3816 ZZ	-	80	100	15	19600	25500	4000	5200	0.230
3816 2RS	-	80	100	15	19600	25500	4000	-	0.230
3818 ZZ	-	90	115	19	27000	35500	3300	4700	0.457
3818 2RS	-	90	115	19	27000	35500	3300	-	0.457
3820 2RS	-	100	125	19	28000	39000	3100	-	0.500

ÉKSZIJ.HU